



Teileliste und Näheinrichtungen Spare Parts List and Sewing Equipment

745-7

Inhaltsverzeichnis

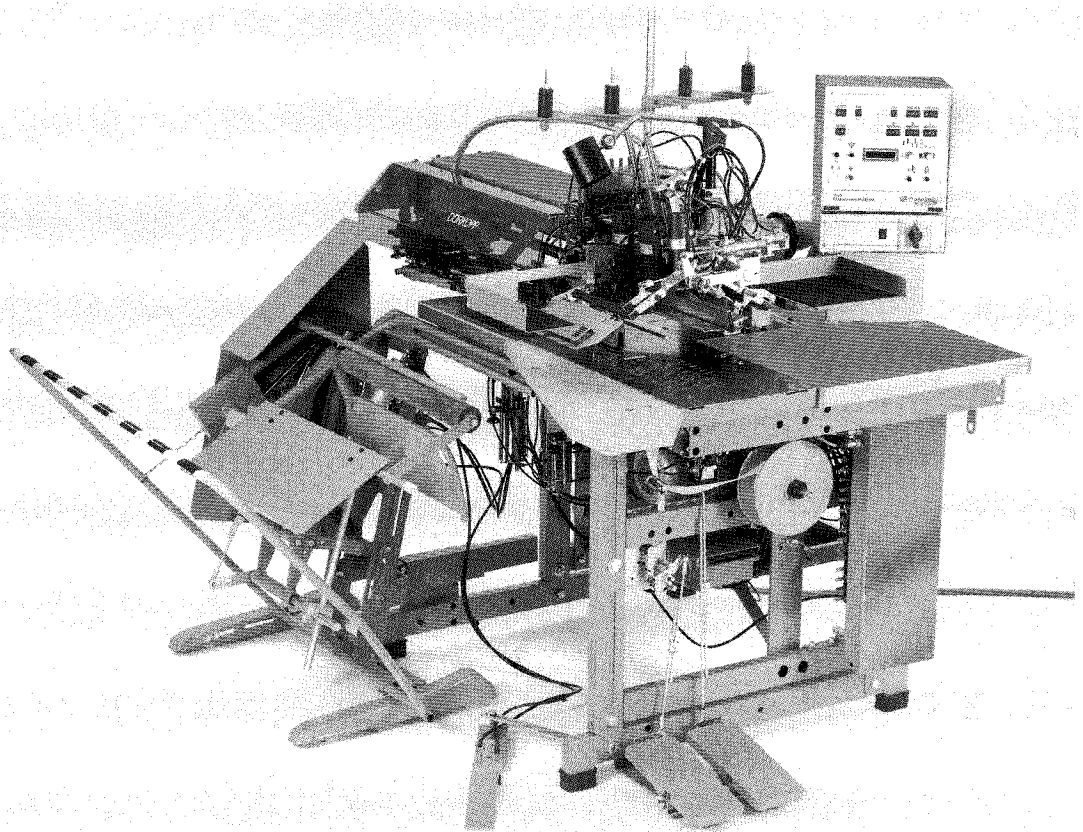
| | |
|-----------------------------------------------------|----------------------|
| Gestellteile | Tafel 1, 2, 3 |
| Mechanische Teile | Tafel 4 bis 8, 11 |
| Getriebeteile | Tafel 9, 10 |
| Schneideeinrichtung | Tafel 12, 13 |
| Messersperre | Tafel 13 |
| Klammereinrichtungen | Tafel 14 bis 22, 52 |
| Einlegestation | Tafel 23 bis 25a |
| Dritte Markierungsleuchte | Tafel 23 |
| Stempelinrichtungen | Tafel 26 bis 29 |
| Maschinen-Oberteil 935-246-41 | Tafel 30 bis 39 |
| Tischplatte, Tischverbreiterungen | Tafel 40, 75 |
| Pneumatikteile | Tafel 41 |
| Verteiler | Tafel 42 |
| Steuergerät | Tafel 43 bis 48 |
| Motorteile | Tafel 49 |
| Elektroteile | Tafel 30, 50 |
| Beipackteile | Tafel 51 |
| Autom. Zuführeinrichtung, rechts | Tafel 53, 55 |
| Autom. Zuführeinrichtung links | Tafel 54, 56 |
| Zuführeinrichtung links und rechts | Tafel 57, 58, 59 |
| Staplerteile | Tafel 60, 61, 62 |
| Rollüberwurfstapler | Tafel 63, 64, 65 |
| Klemmvorrichtung für Hinterhose u. Taschenbeutel | Tafel 66, 67 |
| Abzugsvorrichtung | Tafel 68, 69 |
| Staplerzusatzgerät | Tafel 65, 70, 71 |
| Pneum. Bündelklammer mit Fußventil | Tafel 72 |
| Band-Zuführ.- und Abschneideautomatik | Tafel 73, 74 |
| Teilesatz für Brust- leistentaschen | Tafel 76 |
| Ausstreifeinrichtung | Tafel 77 |
| Anlegevorrichtung für Brustleisten | Tafel 24, 78, 79, 80 |
| Teilesatz zum Aufschneiden des Paspelstreifens | Tafel 81, 82 |
| Zuführeinrichtung für Paspelschneideinrichtung | Tafel 83, 84, 85 |
| Teilesatz „Taschenbeutel über Patte“ | Tafel 86 |
| Teilesatz für Reißverschluss links und rechts | Tafel 87 |
| Restfadenwächter für Unterfäden | Tafel 88 |
| Näheinrichtungen | Tafel 89 u. Anhang |

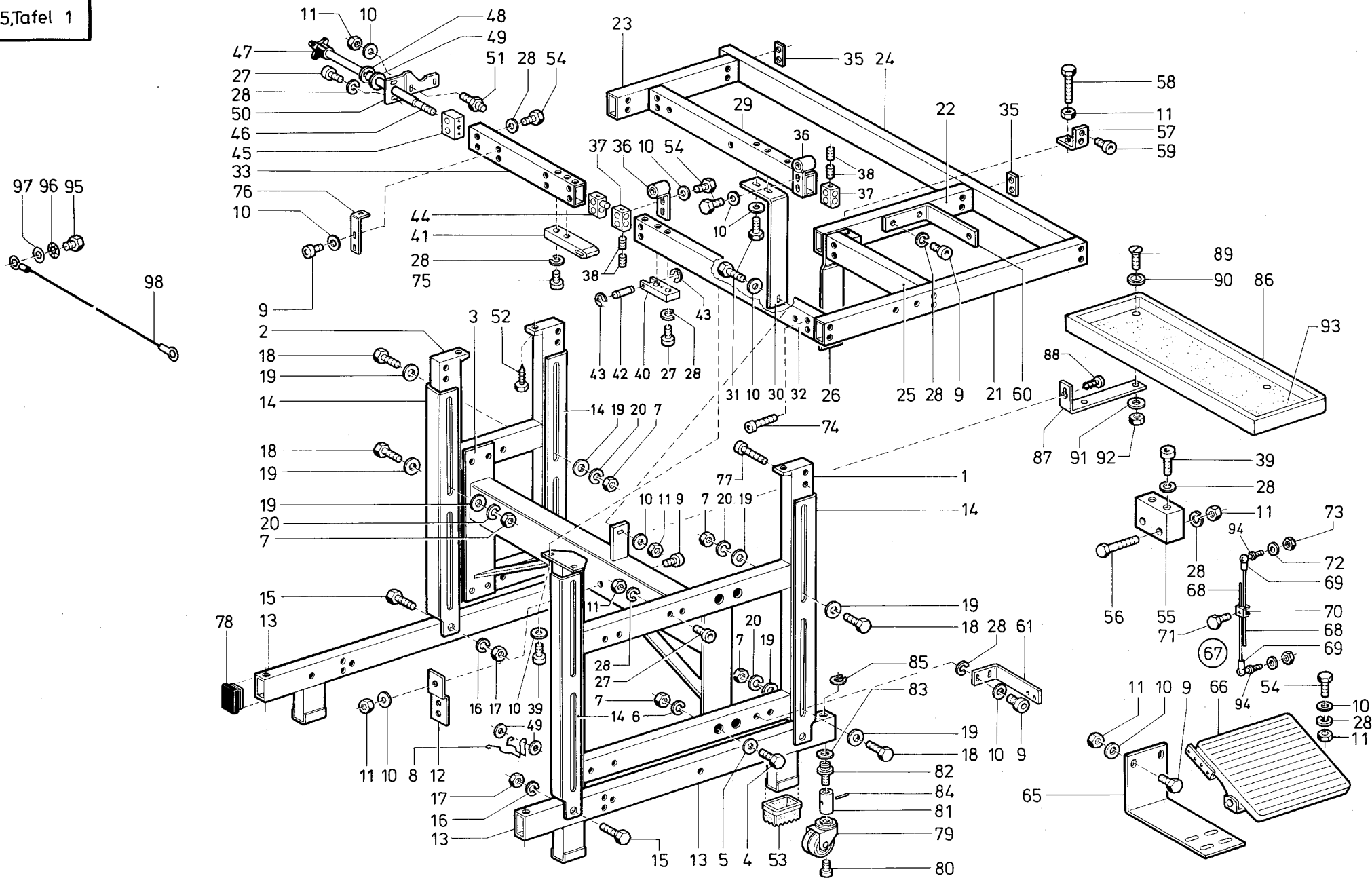
Contents

| | |
|--------------------------------------------------------|-----------------------|
| Stand Parts | Table 1, 2, 3 |
| Mechanical Parts | Table 4 up to 8, 11 |
| Gearing Parts | Table 9, 10 |
| Cutter Device | Table 12, 13 |
| Knife Stop-work | Table 13 |
| Clamping Equipments | Table 14 up to 22, 52 |
| Loading Station | Table 23 up to 25a |
| Third Mark. Lamp | Table 23 |
| Folding Equipments | Table 26 up to 29 |
| Machine Head 935-246-41 | Table 30 up to 39 |
| Table Plate, Table Extensions | Table 40, 75 |
| Pneumatic Parts | Table 41 |
| Distributor | Table 42 |
| Control Instrument | Table 43 up to 48 |
| Motor Parts | Table 49 |
| Electric Parts | Table 30, 50 |
| Accessories | Table 51 |
| Automatic Feeding Mechanism, right hand | Table 53, 55 |
| Automatic Feeding Mechanism, left hand | Table 54, 56 |
| Feeding Mechanism, left hand and right hand | Table 57, 58, 59 |
| Stacker Parts | Table 60, 61, 62 |
| Roll and Throw-Over Stacker | Table 63, 64, 65 |
| Clamping Device for Rear Trousers and Pocket Bags | Table 66, 67 |
| Pulling-Off Device | Table 68, 69 |
| Stacker Supplement | Table 65, 70, 71 |
| Pneumatic Bundle Clamp, with Foot valve | Table 72 |
| Automatic Tape Feeder and Cutting Device | Table 73, 74 |
| Set of Parts for Breast Pocket Welts | Table 76 |
| Smoothing Device | Table 77 |
| Positioning Device for Breast Pocket Welts | Table 24, 78, 79, 80 |
| Set of Parts for Piping Cutting | Table 81, 82 |
| Feeder for the Piping Cutting Device | Table 83, 84, 85 |
| Set of Parts „Two Pocket Bag halves Above the Flap“ | Table 86 |
| Set of Parts, for left and right hand zipper | Table 87 |
| Rest-Thread Catcher for under-threads | Table 88 |
| Sewing Equipments | Table 89 and Appendix |

DÜRKOPP ADLER 745-7

Gesamtansicht
Total View

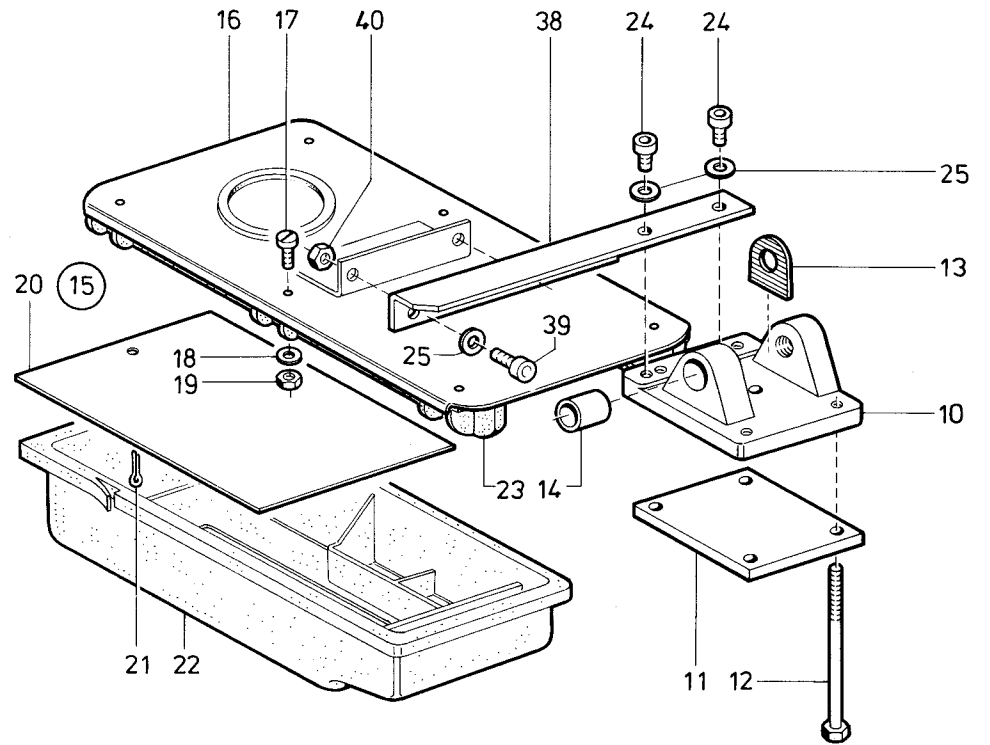
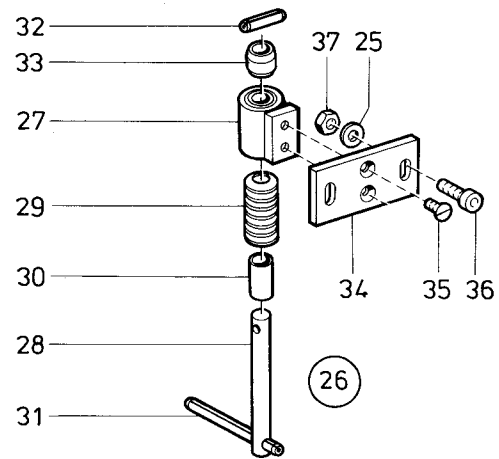
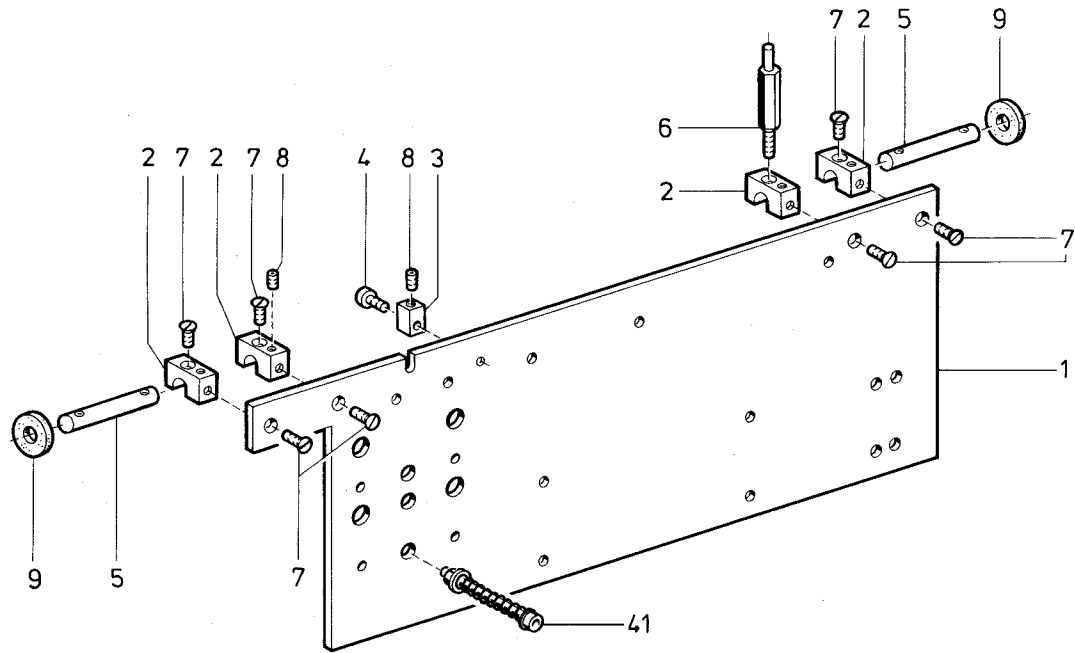




| Pos. Det. | Teile Nr. Part No. | Benennung | Denomination |
|-----------|--------------------|---------------------|-----------------------|
| | | Gestellteile | Mounting parts |
| 1 | MG 50/1011 | Seitenteil | Side part |
| 2 | MG 50/2521 | Seitenteil | Side part |
| 3 | MG 50/2531 | Querverbindung | Cross tie |
| 4 | MG 41/1263 | 6kt.-Schraube | Hexagonal screw |
| 5 | 7425027 | Scheibe | Washer |
| 6 | MG 43/12 | Federring | Spring ring |
| 7 | MG 43/13 | 6kt.-Mutter | Hexagonal nut |
| 8 | MG 43/62 | Klemme | Clamp |
| 9 | 7425098 | Zyl.-Schraube | Cyl. head screw |
| 10 | 72043 | Scheibe | Washer |
| 11 | 72042a | 6kt.-Mutter | Hexagonal nut |
| 12 | 7462241 | Halteblech | Holding plate |
| 13 | MG 50/2554 | Fuß | Foot |
| 14 | MG 50/2551 | Ständer | Stand |
| 15 | 74240121 | 6kt.-Schraube | Hexagonal screw |
| 16 | 7425110 | Federring | Spring ring |
| 17 | 7425110a | 6kt.-Mutter | Hexagonal nut |
| 18 | 725497 | 6kt.-Schraube | Hexagonal screw |
| 19 | MG 43/14 | Scheibe | Washer |
| 20 | 911415 | Federring | Spring ring |
| 21 | MG 50/1151 | Querholm | Cross bar |
| 22 | MG 50/1152 | Querholm | Cross bar |
| 23 | MG 50/1153 | Querholm | Cross bar |
| 24 | MG 50/1161 | Längsholm | Longitudinal bar |
| 25 | MG 50/1162 | Längsholm | Longitudinal bar |
| 26 | MG 50/1171 | Stütze | Supporting plate |
| 27 | 7425098 | Zyl.-Schraube | Cyl. head screw |
| 28 | 725520b | Federring | Spring ring |
| 29 | MG 50/1181 | Längsholm | Longitudinal bar |
| 30 | MG 50/1191 | Winkel | Angle |
| 31 | 720127 | 6kt.-Schraube | Hexagonal screw |
| 32 | MG 50/1221 | Längsholm | Longitudinal bar |
| 33 | MG 50/1227 | Längsholm | Longitudinal bar |
| 34 | MG 50/1239 | Verbinder | Connector |
| 35 | MG 50/1240 | Lasche | Shackle |
| 36 | MG 50/1242 | Halter | Carrier |
| 37 | MG 50/1247 | Lagerbock | Bearing block |
| 38 | 74240189 | Gewindestift | Threaded stud |
| 39 | 911376 | Zyl.-Schraube | Cyl. head screw |
| 40 | MG 50/1261 | Halter | Holder |
| 41 | MG 50/1262 | Halter | Holder |
| 42 | 74241422 | Bolzen | Bolt |
| 43 | 7443142 | Sicher.-Scheibe | Lock washer |

| Pos. Det. | Teile Nr. Part No. | Benennung | Denomination |
|-----------|--------------------|-------------------------------------------------------|-----------------------------------------------------------|
| 44 | MG 50/1285 | Lagerbock | Bearing block |
| 45 | MG 50/1288 | Rohrverbinder | Tube connector |
| 46 | MG 50/1281 | Gewindestange kpl. (mit Pos. 47) | Threaded rod cpl. (with pos. 47) |
| 47 | MG 50/1283 | Kreuzgriff | Cross handle |
| 48 | 650353 | Sicher.-Scheibe | Lock washer |
| 49 | MG 4/6 | Scheibe | Washer |
| 50 | MG 50/1308 | Platte | Plate |
| 51 | MG 50/1303 | Bolzen | Bolt |
| 52 | 5571494a | Holzschraube | Wood screw |
| 53 | 74656 | Schalldämpfer | Silencer |
| 54 | App. 20160 | 6kt.-Schraube | Hexagonal screw |
| 55 | 7441013 | Rohrverbinder | Tube connector |
| 56 | 720607 | 6kt.-Schraube | Hexagonal screw |
| 57 | MG 50/1351 | Winkel | Angle |
| 58 | 7461416 | 6kt.-Schraube | Hexagonal screw |
| 59 | 246984 | Zyl.-Schraube | Cyl. head screw |
| 60 | MG 50/1371 | Winkel | Angle |
| 61 | MG 50/1379 | Winkel | Angle |
| 65 | MG 50/1491 | Winkel | Angle |
| 66 | MG 43/2599 | Fußpedal | Pedal |
| 67 | MG 43/401 | Trittstange kpl. (best. aus Pos. 68 bis 73, 94) | Connecting rod cpl. (cons. of pos. 68 up to 73, 94) |
| 68 | MG 43/402 | Stange | Rod |
| 69 | 211616 | Kugelpfanne | Ball receiver |
| 70 | MG 43/403 | Klemme | Clamp |
| 71 | MG 43/404 | 6kt.-Schraube | Hexagonal screw |
| 72 | MG 43/2510 | Scheibe | Washer |
| 73 | MG 43/409 | 6kt.-Mutter | Hexagonal nut |
| 74 | 7442013 | Zyl.-Schraube | Cyl. head screw |
| 75 | 570522 | Zyl.-Schraube | Cyl. head screw |
| 76 | MG 50/1271 | Winkel | Angle |
| 77 | 7442013 | Zyl.-Schraube | Cyl. head screw |
| 78 | 71811043 | Verschlußkappe | Cap |
| 79 | MG 50/4558 | Apparaterolle | Roll |
| 80 | 2492 | Zyl.-Schraube | Cyl. head screw |
| 81 | MG 50/4559 | Buchse | Bush |
| 82 | MG 50/4563 | Spezialschraube | Special screw |
| 83 | MG 50/4565 | Scheibe | Washer |
| 84 | MG 50/4567 | Spannhülse | Clamping sleeve |
| 85 | 2921229 | Sicher.-Ring | Circlip |
| 86 | 7002302 | Ablagekasten kpl. (mit Pos. 93) | Wood box cpl. (with pos. 93) |
| 87 | MG 50/1612 | Winkel | Angle |

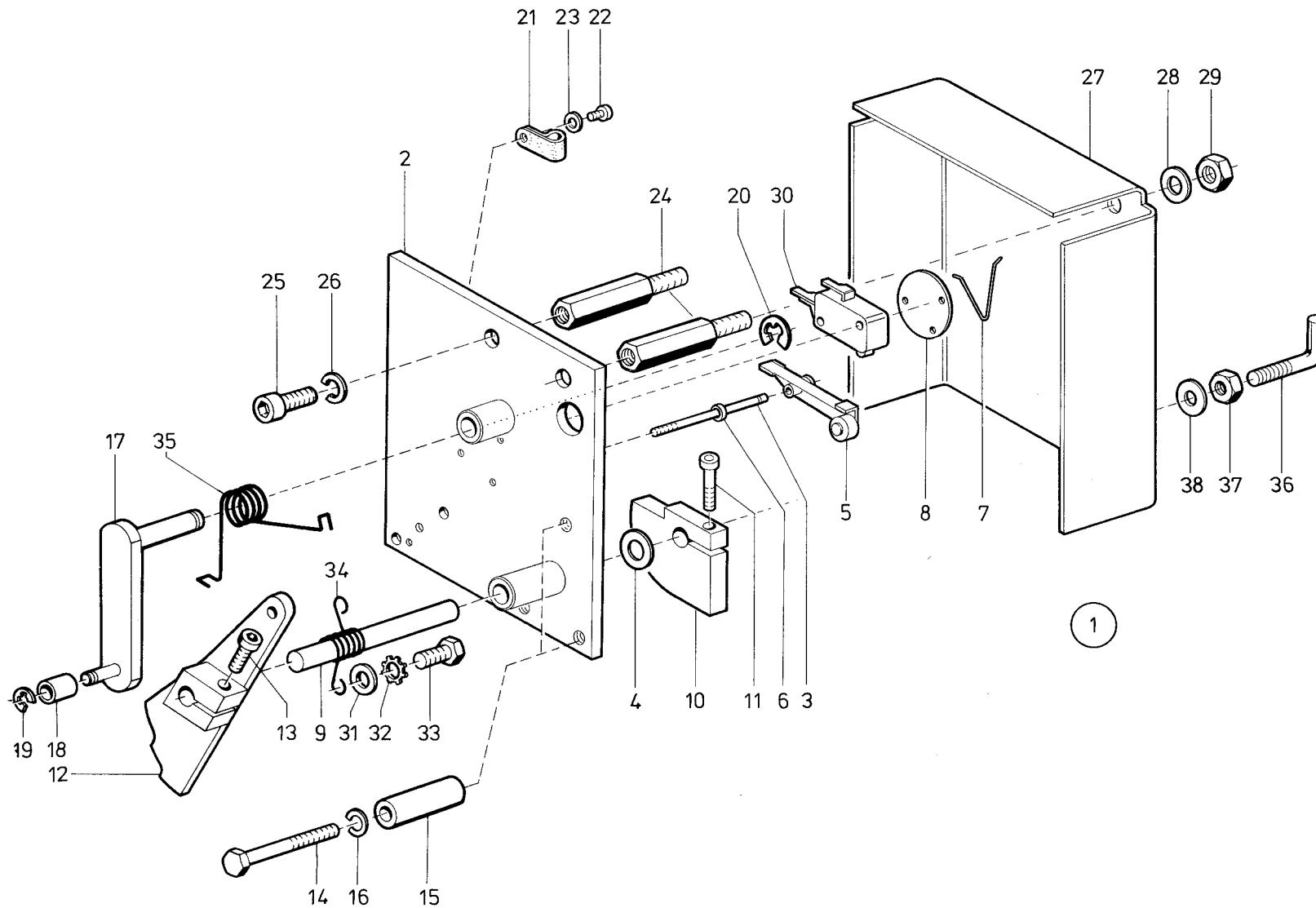
| Pos. Det. | Teile Nr. Part No. | Benennung | Denomination |
|-----------|--------------------|---------------|-------------------|
| 88 | MG 43/2509 | Blechschrabe | Tin-plate screw |
| 89 | 570939a | Senkschrabe | Countersunk screw |
| 90 | 739163 | Scheibe | Washer |
| 91 | 739595 | Scheibe | Washer |
| 92 | 935625 | 6kt.-Mutter | Hexagonal nut |
| 93 | 7002304 | Einlage | Rubber insert |
| 94 | 5701220 | Kugelbolzen | Ball pin |
| 95 | P 121110 | 6kt.-Schraube | Hexagonal screw |
| 96 | 211609 | Zahnscheibe | Tooth lock washer |
| 97 | MG 43/2510 | Scheibe | Washer |
| 98 | 798700161 | Leitung | Cable |

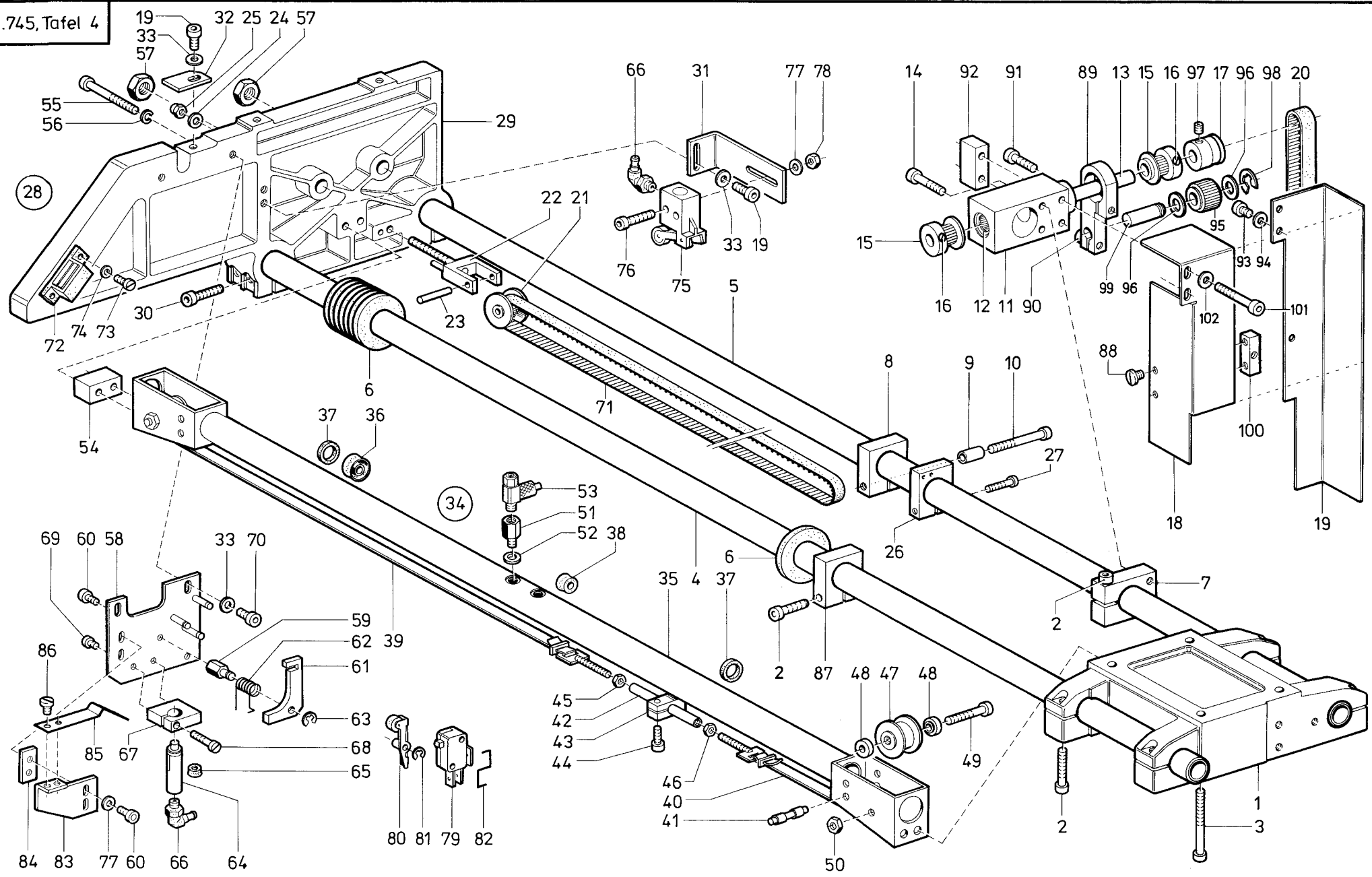


| Pos. Det. | Teile Nr. Part No. | Benennung | Denomination |
|-----------|--------------------|---------------------------------------------------|------------------------------------------------|
| 1 | MG 50/1347 | Platte kpl. (mit Pos. 2 und 7) | Plate cpl. (with pos. 2 and 7) |
| 2 | MG 50/1334 | Bock | Support |
| 3 | MG 50/1335 | Bock | Support |
| 4 | 93311296 | Zyl.-Schraube | Cyl. head screw |
| 5 | MG 50/1337 | Bolzen | Bolt |
| 6 | MG 50/1338 | Gewindebolzen | Threaded bolt |
| 7 | 55613153 | Senkschraube | Countersunk screw |
| 8 | 74690312 | Gewindestift | Threaded stud |
| 9 | 746272 | Scheibe | Washer |
| 10 | MG 50/1392 | Motorträger | Motor carrier |
| 11 | MG 50/1393 | Platte | Plate |
| 12 | Z 112390 | 6kt.-Schraube | Hexagonal screw |
| 13 | MG 50/1398 | Druckplatte | Pressure plate |
| 14 | MG 44/160 | Buchse | Bush |
| 15 | 741481k | Schubkasten kpl. (best. aus Pos. 16 bis 23) | Drawer cpl. (cons. of pos. 16 up to 23) |
| 16 | 741481 | Deckblech | Cover plate |
| 17 | MG 43/80 | Zyl.-Schraube | Cyl. head screw |
| 18 | 70048 | Scheibe | Washer |
| 19 | MG 43/82 | 6kt.-Mutter | Hexagonal nut |
| 20 | 70045 | Ablageblech | Deposit plate |
| 21 | 5571219 | Splint | Split pin |
| 22 | 70043 | Schubkasten | Drawer |
| 23 | 70044 | Leiste | Reglet |
| 24 | 7441107 | Zyl.-Schraube | Cyl. head screw |
| 25 | 72043 | Scheibe | Washer |
| 26 | MG 50/1442 | Raste kpl. (best. aus Pos. 27 bis 33) | Ratchet cpl. (cons. of pos. 27 up to 33) |
| 27 | 746265 | Lagerbock | Bearing block |
| 28 | MG 50/1444 | Bolzen | Bolt |
| 29 | 21127 | Tellerfeder | Cup spring |
| 30 | 93320251 | Buchse | Bush |
| 31 | 74240297 | Spannhülse | Clamping sleeve |
| 32 | 74240296 | Spannhülse | Clamping sleeve |
| 33 | 74240298 | Konus | Kone |
| 34 | MG 50/1452 | Platte | Plate |
| 35 | 211249 | Senkschraube | Countersunk screw |
| 36 | 7425098 | Zyl.-Schraube | Cyl. head screw |
| 37 | 72042a | 6kt.-Mutter | Hexagonal nut |
| 38 | MG 50/1403 | Winkel | Angle |
| 39 | 7425098 | Zyl.-Schraube | Cyl. head screw |
| 40 | 72042a | 6kt.-Mutter | Hexagonal nut |

| Pos. Det. | Teile Nr. Part No. | Benennung | Denomination |
|-----------|--------------------|------------------|------------------|
| 41 | 7927771 | Federbolzen kpl. | Spring bolt cpl. |

| Pos. Det. | Teile Nr. Part No. | Benennung | Denomination |
|-----------|--------------------|-----------|--------------|
|-----------|--------------------|-----------|--------------|

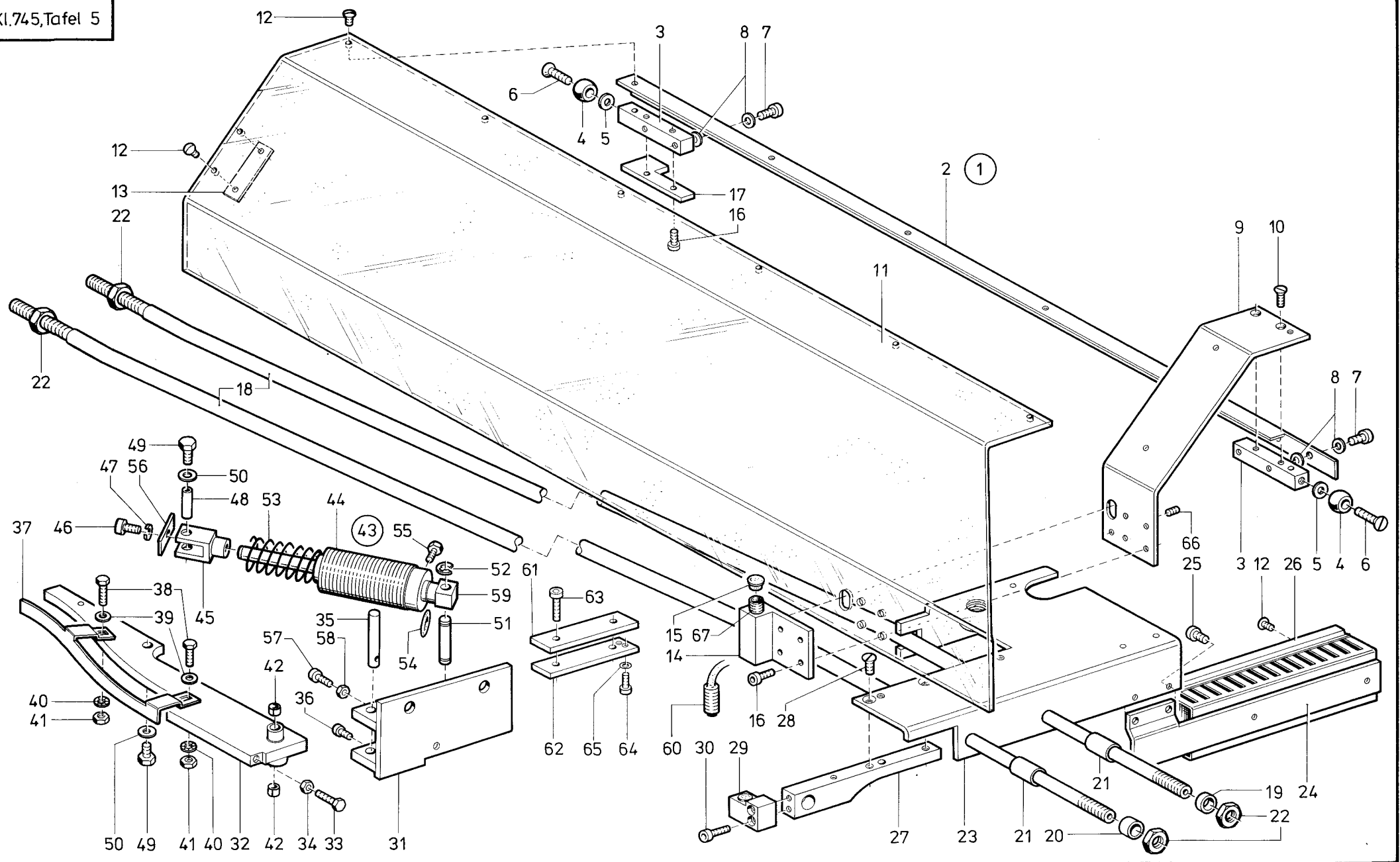




| Pos. Det. | Teile Nr. Part No. | Benennung | Denomination |
|-----------|--------------------|--------------------------------------------------------------------|-------------------------------------------------------------------------|
| 1 | 7925014 | Lagerbock | Bearing block |
| 2 | 2124882 | Zyl.-Schraube | Cyl. head screw |
| 3 | 5701368 | Zyl.-Schraube | Cyl. head screw |
| 4 | 7925021 | Welle | Shaft |
| 5 | 7925022 | Welle | Shaft |
| 6 | 74241326 | Ring | Ring |
| 7 | 7925041 | Klemmstück kpl. (mit Pos. 2) | Clamping piece cpl. (with pos. 2) |
| 8 | 7925045 | Klemmstück kpl. (mit Pos. 9 und 10) | Clamping piece cpl. (with pos. 9 and 10) |
| 9 | 558312a | Buchse | Bush |
| 10 | 7461077 | Zyl.-Schraube | Cyl. head screw |
| 11 | 7925051 | Lagerbock kpl. (mit Pos. 12) | Bearing block cpl. (with pos. 12) |
| 12 | 7925054 | Nadellager | Needle bearing |
| 13 | 7925056 | Welle | Shaft |
| 14 | 558312 | Zyl.-Schraube | Cyl. head screw |
| 15 | 7926058 | Ritzel kpl. (mit Pos. 16) | Pinion cpl. (with pos. 16) |
| 16 | 935410 | Gewindestift | Threaded stud |
| 17 | 7925073 | Buchse kpl. (mit Pos. 97) | Bush cpl. (with pos. 97) |
| 18 | 7925101 | Schutzblech | Guard plate |
| 19 | 7925107 | Schutzblech | Guard plate |
| 20 | 7926148 | Zahnriemen | Toothed belt |
| 21 | 7925085 | Ritzel | Pinion |
| 22 | 7925091 | Gabel | Fork |
| 23 | 74241349 | Lagernadel | Bearing needle |
| 24 | 557263 | Scheibe | Washer |
| 25 | 793316 | 6kt.-Mutter | Hexagonal nut |
| 26 | 7925111 | Klemmstück kpl. (mit Pos. 27) | Clamping piece cpl. (with pos. 27) |
| 27 | 7461212 | Zyl.-Schraube | Cyl. head screw |
| 28 | 7925121 | Klemmblock kpl. (best. aus Pos. 29, 30, 31, 32, 33, 19, 58 bis 70) | Clamping block cpl. (cons. of pos. 29, 30, 31, 32, 33, 19, 58 up to 70) |
| 29 | 7925123 | Klemmbock | Clamping block |
| 30 | 5701594 | Zyl.-Schraube | Cyl. head screw |
| 31 | 7925127 | Winkel | Angle |
| 32 | 7925128 | Anschlag | Stop |
| 33 | 74450243 | Scheibe | Washer |
| 34 | 7925271 | Zylinder kpl. (best. aus Pos. 35 bis 52) | Cylinder cpl. (cons. of pos. 35 up to 52) |

| Pos. Det. | Teile Nr. Part No. | Benennung | Denomination |
|-----------|--------------------|-------------------------------|------------------------------------|
| 35 | 7925273 | Zylinderrohr | Cylinder tube |
| 36 | 7461547 | Lippenring | Lip seal |
| 37 | 0020083083325 | Filtzteil | Felt |
| 38 | 74241517 | Lippenring | Lip seal |
| 39 | 79220315 | Kolben kpl. (Linksgewinde) | Piston cpl. (left hand thread) |
| 40 | 79220318 | Kolben kpl. (Rechtsgewinde) | Piston kpl. (right hand thread) |
| 41 | 74241545 | Stift | Pin |
| 42 | 74241546 | Gewindebuchse | Threaded bush |
| 43 | 74241547 | Lagerbock | Bearing block |
| 44 | 93370175 | Zyl.-Schraube | Cyl. head screw |
| 45 | 558101 | 6kt.-Mutter | Hexagonal nut |
| 46 | 74450244 | 6kt.-Mutter | Hexagonal nut |
| 47 | 74241551 | Rolle | Roll |
| 48 | 74241555 | Buchse | Bush |
| 49 | P 12547 | Zyl.-Schraube | Cyl. head screw |
| 50 | 74450244 | 6kt.-Mutter | Hexagonal nut |
| 51 | 7972646 | Anschl.-Stück | Joining piece |
| 52 | 74241533 | Scheibe | Washer |
| 53 | 797411 | Drosselventil | Throttle valve |
| 54 | 7925335 | Leiste | Reglet |
| 55 | P 12162 | Zyl.-Schraube | Cyl. head screw |
| 56 | 7441426 | Federring | Spring ring |
| 57 | 55614146 | 6 kt.-Mutter | Hexagonal nut |
| 58 | 7925752 | Platte | Plate |
| 59 | 7925757 | Bolzen | Bolt |
| 60 | 7461033 | Zyl.-Schraube | Cyl. head screw |
| 61 | 7925761 | Hebel | Lever |
| 62 | 7925762 | Drehfeder | Torsion spring |
| 63 | 211100a | Sicher.-Scheibe | Lock washer |
| 64 | 246968 | Zylinder kpl. (mit Pos. 65) | Cylinder cpl. (with pos. 65) |
| 65 | 55614030 | Lippenring | Lip seal |
| 66 | 797411 | Drosselventil | Throttle valve |
| 67 | 7925766 | Klemmstück kpl. (mit Pos. 68) | Clamping piece cpl. (with pos. 68) |
| 68 | 74420778 | Zyl.-Schraube | Cyl. head screw |
| 69 | 246360 | Zyl.-Schraube | Cyl. head screw |
| 70 | 7441509 | Zyl.-Schraube | Cyl. head screw |
| 71 | 7925081 | Zahnriemen | Toothed belt |
| 72 | 7925731 | Magnethalter | Magnet holder |
| 73 | 1001360 | Zyl.-Schraube | Cyl. head screw |
| 74 | 1005233 | Scheibe | Washer |
| 75 | Z 112611 | 3/2-Wege-Ventil | 3/2-Distributor valve |

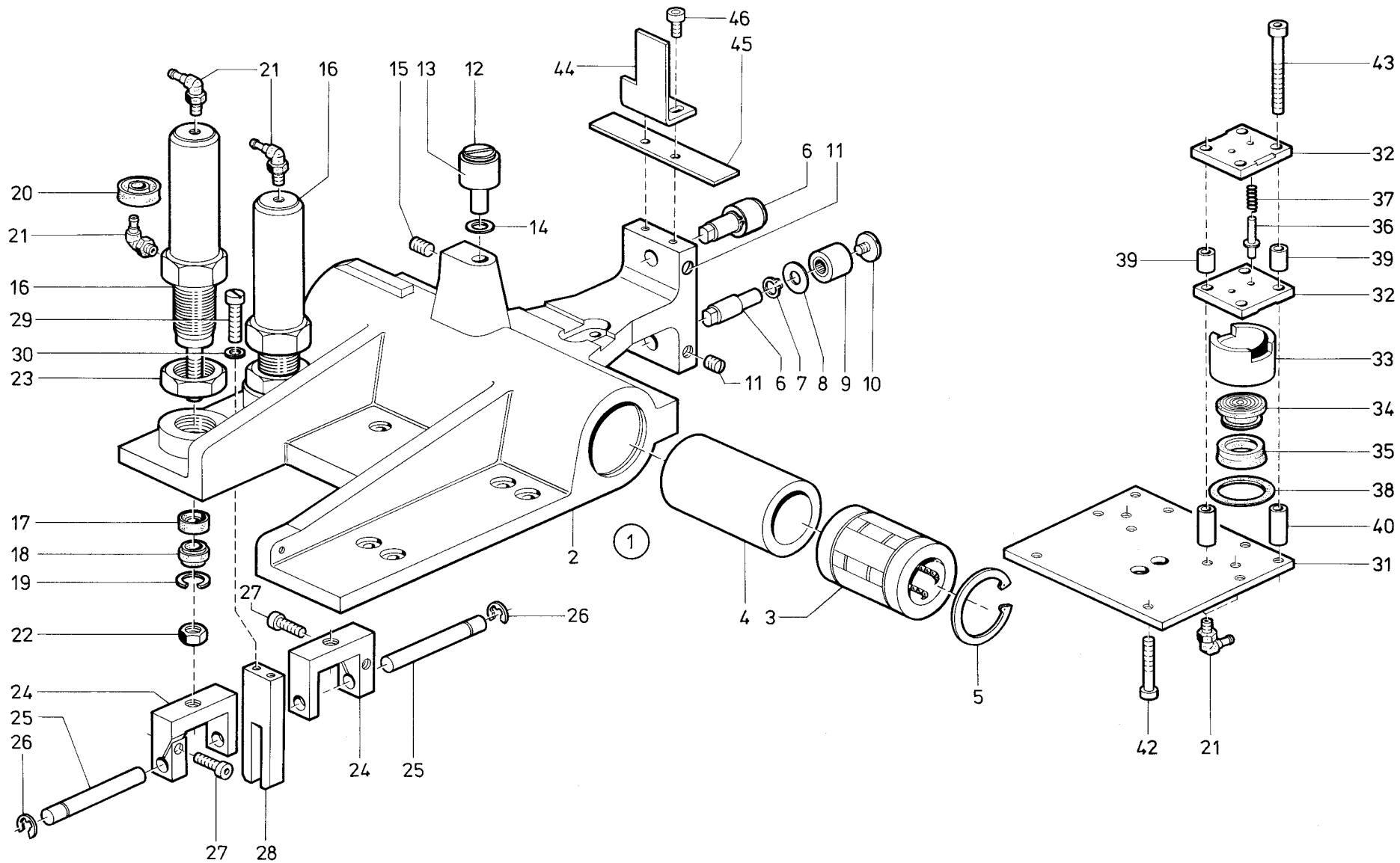
| Pos. Det. | Teile Nr. Part No. | Benennung | Denomination |
|-----------|--------------------|--------------------------------------|-------------------------------------------|
| 76 | Z 111162 | Zyl.-Schraube | Cyl. head screw |
| 77 | 798795 | Scheibe | Washer |
| 78 | 202704 | 6kt.-Mutter | Hexagonal nut |
| 79 | 739878 | Mikroschalter | Micro switch |
| 80 | 7463259 | Gelenkhebel | Articulated lever |
| 81 | 10019228 | Sicher.-Scheibe | Lock washer |
| 82 | 74221574 | Draht | Wire |
| 83 | 7925781 | Winkel | Angle |
| 84 | 5701228 | Gewindelasche | Threaded shackle |
| 85 | 7925782 | Blattfeder | Leaf spring |
| 86 | 223723 | Zyl.-Schraube | Cyl. head screw |
| 87 | 7925049 | Klemmstück kpl. (mit Pos. 2) | Clamping piece cpl. (with pos. 2) |
| 88 | 10019148 | Linsenschraube | Fillister head screw |
| 89 | 7925061 | Klemmstück kpl. (mit Pos. 90 und 91) | Clamping piece cpl. (with pos. 90 and 91) |
| 90 | 93311296 | Zyl.-Schraube | Cyl. head screw |
| 91 | 2386530 | Zyl.-Schraube | Cyl. head screw |
| 92 | 7925102 | Kloben | Block |
| 93 | 265565 | Zyl.-Schraube | Cyl. head screw |
| 94 | 74450243 | Scheibe | Washer |
| 95 | 7925066 | Ritzel | Pinion |
| 96 | 291347 | Scheibe | Washer |
| 97 | 244700 | Gewindestift | Threaded stud |
| 98 | 216656 | Sicher.-Scheibe | Lock washer |
| 99 | 7925068 | Bolzen | Bolt |
| 100 | 7925103 | Kloben | Block |
| 101 | P 12162 | Zyl.-Schraube | Cyl. head screw |
| 102 | 74450243 | Scheibe | Washer |

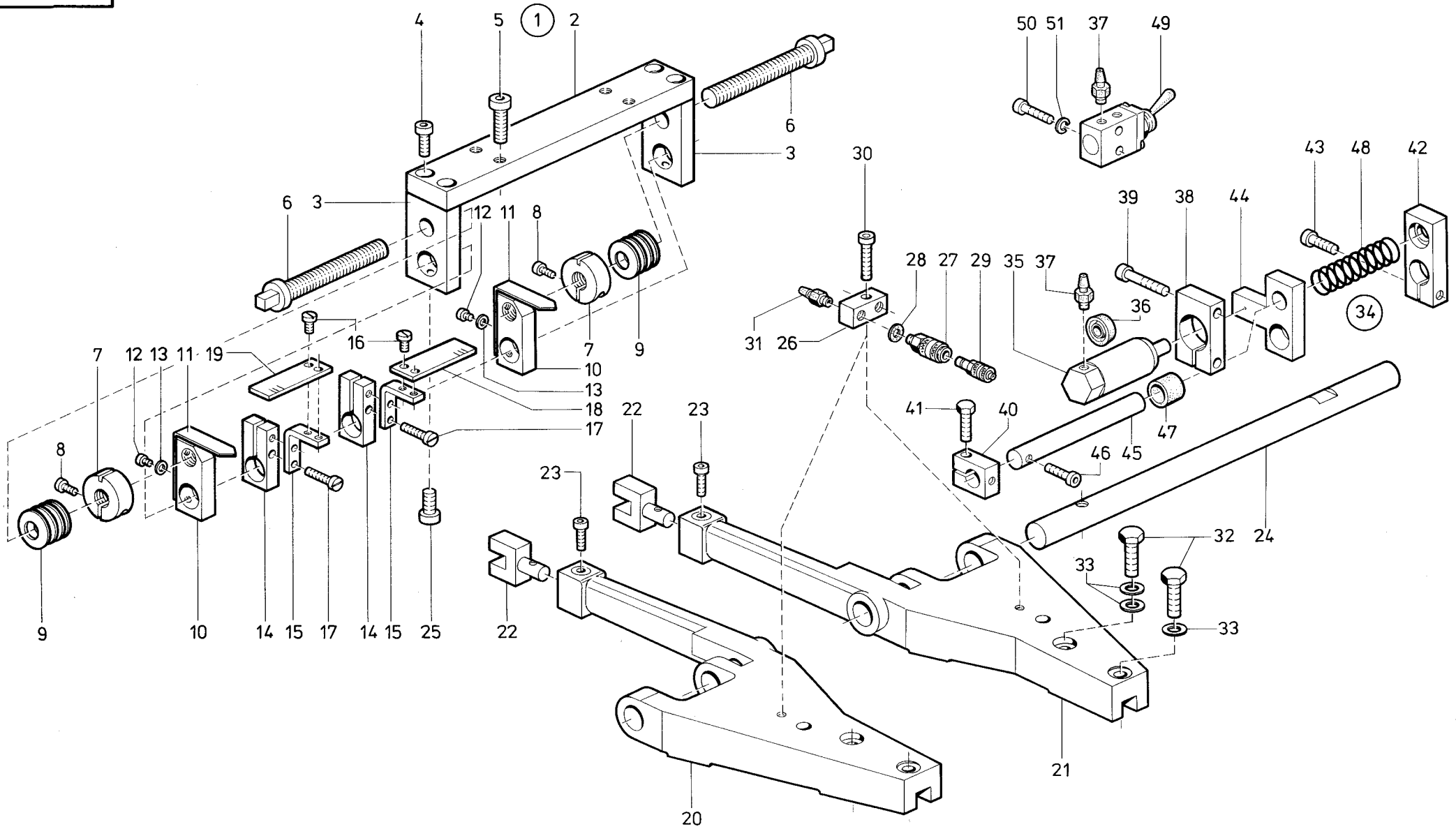


| Pos. Det. | Teile Nr. Part No. | Benennung | Denomination |
|-----------|--------------------|-----------------------------------------------|-------------------------------------------------|
| 1 | 7925701 | Abdeckhaube kpl. (best. aus Pos. 2 bis 17) | Covering cap cpl. (cons. of pos. 2 up to 17) |
| 2 | 7925703 | Leiste | Reglet |
| 3 | 7925706 | Halter | Holder |
| 4 | 93379123 | Rolle | Roll |
| 5 | 739595 | Scheibe | Washer |
| 6 | 5702382 | Senkschraube | Countersunk screw |
| 7 | 265565 | Zyl.-Schraube | Cyl. head screw |
| 8 | 74450243 | Scheibe | Washer |
| 9 | 7925714 | Winkel | Angle |
| 10 | 90297 | Senkschraube | Countersunk screw |
| 11 | 7925717 | Abdeckhaube | Covering cap |
| 12 | 10019130 | Linsenschraube | Fillister head screw |
| 13 | 7925720 | Lasche | Shackle |
| 14 | 7925721 | Halter | Holding device |
| 15 | 911150 | Verschlußkappe | Cap |
| 16 | 7441968 | Zyl.-Schraube | Cyl. head screw |
| 17 | 7925729 | Anschlag | Stop |
| 18 | 7925141 | Strebe | Prop |
| 19 | 74241385 | Buchse | Bush |
| 20 | 965298 | Buchse | Bush |
| 21 | 74241387 | Buchse | Bush |
| 22 | 55614146 | 6kt.-Mutter | Hexagonal nut |
| 23 | 7925150 | Haltewinkel | Holding angle |
| 24 | 7925153 | Halter | Carrier |
| 25 | 746879 | Zyl.-Schraube | Cyl. head screw |
| 26 | 798200136 | Kabelkanal | Cable duct |
| 27 | 7925161 | Halter | Carrier |
| 28 | 5692900 | Senkschraube | Countersunk screw |
| 29 | 7925165 | Anschlag | Stop block |
| 30 | 74420778 | Zyl.-Schraube | Cyl. head screw |
| 31 | 74241392 | Platte | Plate |
| 32 | 74241397 | Bremskeil kpl. (mit Pos. 42) | Brake block cpl. (with pos. 42) |
| 33 | 702604 | 6kt.-Schraube | Hexagonal screw |
| 34 | 74450244 | 6kt.-Mutter | Hexagonal nut |
| 35 | 74241404 | Bolzen | Bolt |
| 36 | 570912 | Zyl.-Schraube | Cyl. head screw |
| 37 | 74241406 | Führungsblech | Guide rail |
| 38 | 5562622 | 6kt.-Schraube | Hexagonal screw |
| 39 | 798795 | Scheibe | Washer |
| 40 | 911267 | Zahnscheibe | Tooth lock washer |
| 41 | 202704 | 6kt.-Mutter | Hexagonal nut |
| 42 | NBO/2431 | Buchse | Bush |

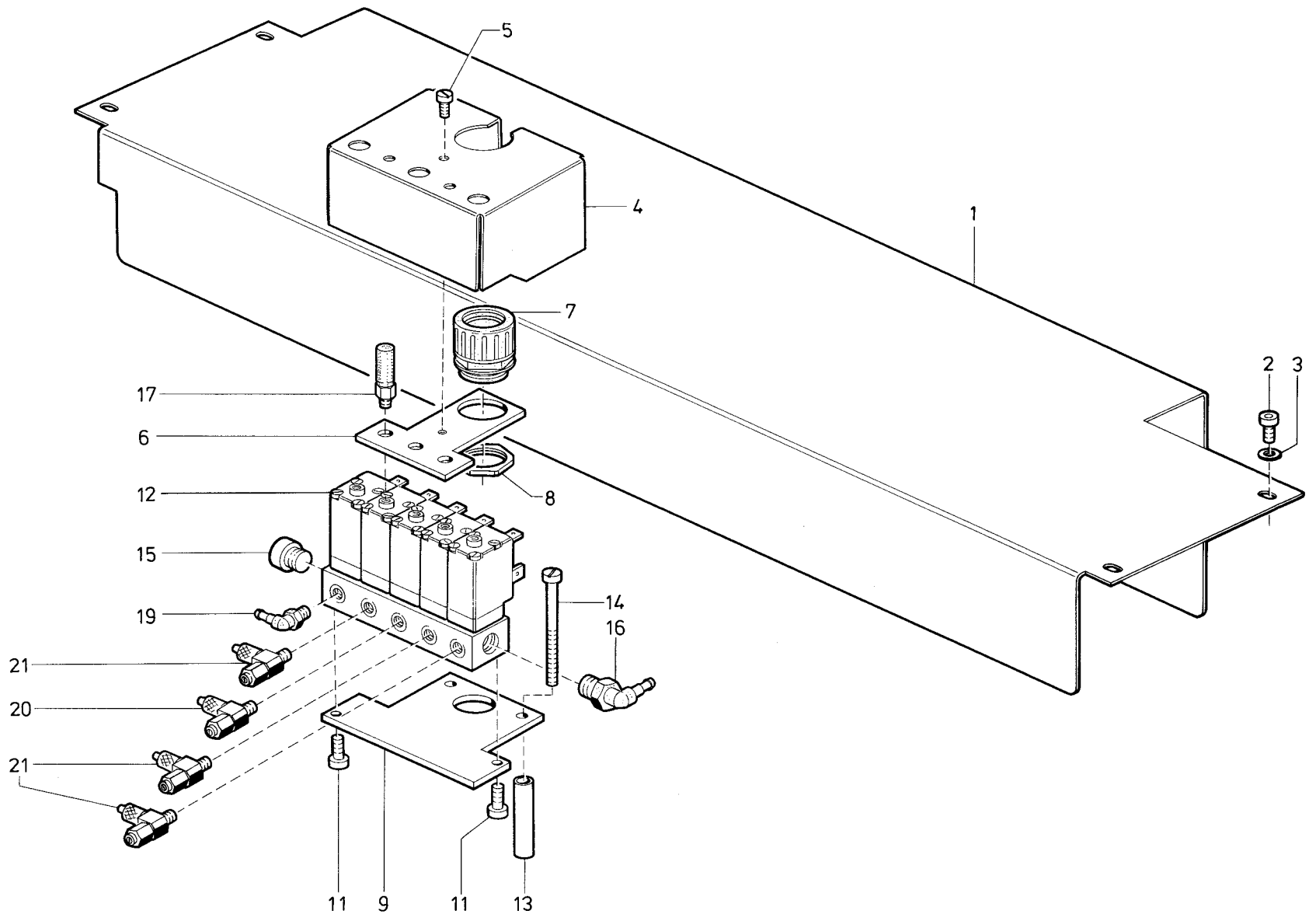
| Pos. Det. | Teile Nr. Part No. | Benennung | Denomination |
|-----------|--------------------|-----------------------------------------------------------------|-------------------------------------------------------------------|
| 43 | 74241412 | Stoßdämpfer kpl. (best. aus Pos. 44, 45, 46, 47, 53, 54, 56) | Shock absorber cpl. (cons. of pos. 44, 45, 46, 47, 53, 54, 56) |
| 44 | 74241414 | Stoßdämpfer | Shock absorber |
| 45 | 74241415 | Gabel | Fork |
| 46 | 7441968 | Zyl.-Schraube | Cyl. head screw |
| 47 | 5561075 | Federring | Spring ring |
| 48 | 94357 | Bolzen | Bolt |
| 49 | 914330 | 6kt.-Schraube | Hexagonal screw |
| 50 | 55890 | Scheibe | Washer |
| 51 | 74241422 | Bolzen | Bolt |
| 52 | 7443142 | Sicher.-Scheibe | Lock washer |
| 53 | 74241414a | Druckfeder | Pressure spring |
| 54 | 9335660 | Gummiring | Rubber ring |
| 55 | 556387 | 6kt.-Schraube | Hexagonal screw |
| 56 | 74241415a | Blech | Plate |
| 57 | 5701392 | Zyl.-Schraube | Cyl. head screw |
| 58 | MG 43/409 | 6kt.-Mutter | Hexagonal nut |
| 59 | 74241418 | Kloben | Block |
| 60 | 798361031 | Empfänger | Light barrier (receiver) |
| 61 | 7925922 | Lasche | Shackle |
| 62 | 7925923 | Lasche | Shackle |
| 63 | 7422036 | Zyl.-Schraube | Cyl. head screw |
| 64 | 10019162 | Zyl.-Schraube | Cyl. head screw |
| 65 | 1005233 | Scheibe | Washer |
| 66 | 7461315 | Gewindestift | Threaded stud |
| 67 | 7925724 | Gewindebuchse | Threaded bush |

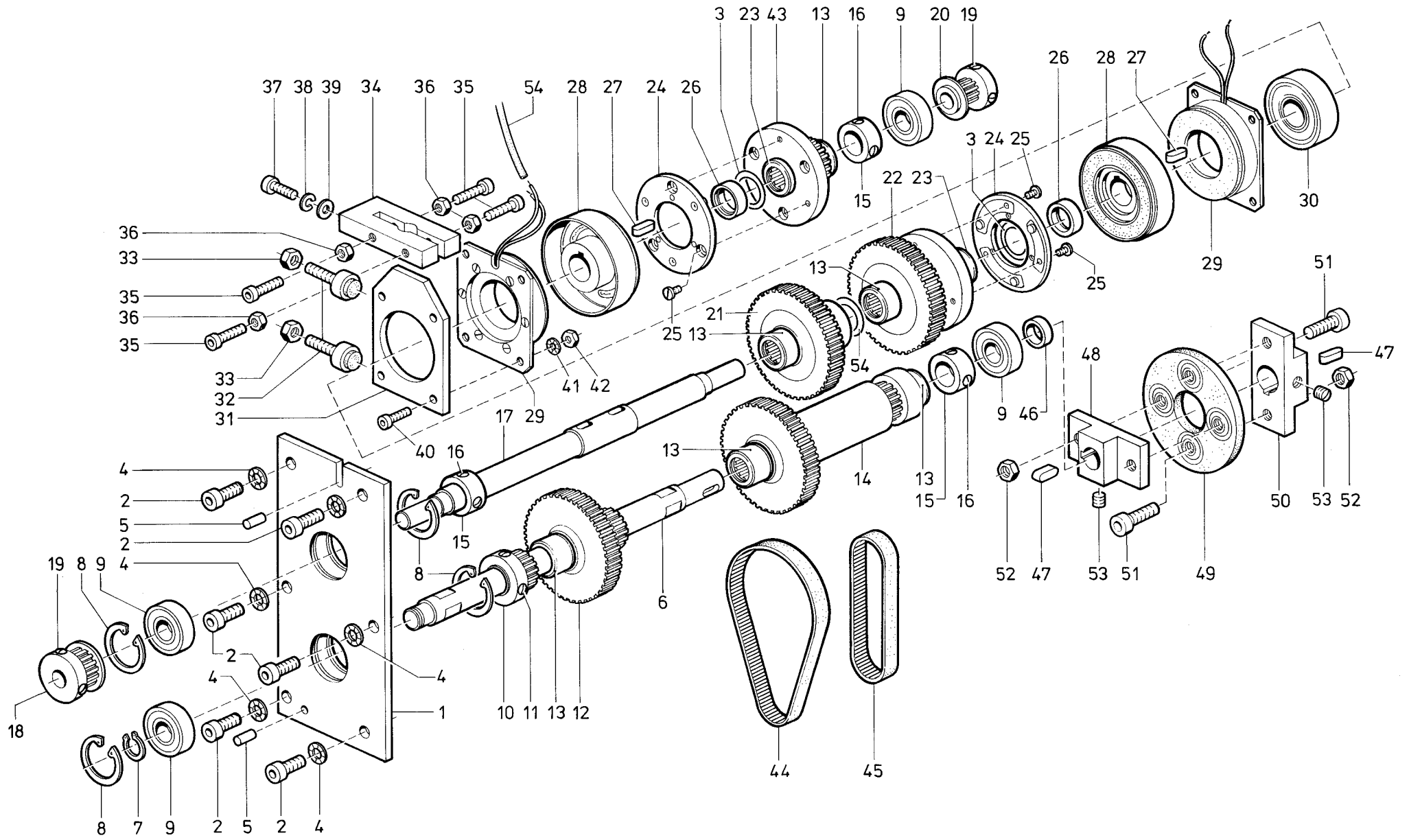
| Pos. Det. | Teile Nr. Part No. | Benennung | Denomination |
|-----------|--------------------|-----------|--------------|
|-----------|--------------------|-----------|--------------|





| Pos. Det. | Teile Nr. Part No. | Benennung | Denomination | Pos. Det. | Teile Nr. Part No. | Benennung | Denomination | Pos. Det. | Teile Nr. Part No. | Benennung | Denomination |
|-----------|--------------------|--------------------------------------------|----------------------------------------------|-----------|--------------------|-----------------------------------------------------------------------|--------------------------------------------------------------------|-----------|--------------------|-----------|--------------|
| 1 | 7925541 | Lagerbock kpl. (best. aus Pos. 2, 3, 4) | Pillow block cpl. (cons. of pos. 2, 3, 4) | 21 | 7925596 | Klammerarm, rechts | Cramp arm, right hand | | | | |
| 2 | 7925542 | Leiste | Reglet | 22 | 7925601 | Gabelkopf | Fork head | | | | |
| 3 | 7925543 | Lagerbock | Pillow block | 23 | 7441968 | Zyl.-Schraube | Cyl. head screw | | | | |
| 4 | 7441509 | Zyl.-Schraube | Cyl. head screw | 24 | 7461903 | Achse | Axle | | | | |
| 5 | 7441236 | Zyl.-Schraube | Cyl. head screw | 25 | 74240277 | Zyl.-Schraube | Cyl. head screw | | | | |
| 6 | 746732 | 4kt.-Schraube | Square screw | 26 | 74640376 | Anschlußstück | Coupling piece | | | | |
| 7 | 746737a | Mutter kpl. (mit Pos. 8) | Nut cpl. (with pos. 8) | 27 | 74640378 | Kuppl.-Dose | Coupling socket | | | | |
| 8 | 933335 | Zyl.-Schraube | Cyl. head screw | 28 | 74242167 | Dichtung | Gasket | | | | |
| 9 | 7391108 | Tellerfeder | Cup spring | 29 | 74640379 | Kuppl.-Stecker | Coupler plug | | | | |
| 10 | 746731 | Einstellstück | Adjusting piece | 30 | 93370175 | Zyl.-Schraube | Cyl. head screw | | | | |
| 11 | 7925562 | Zeiger | Tongue | 31 | 7972016 | Schlauchtülle | Hose nozzle | | | | |
| 12 | 216508 | Zyl.-Schraube | Cyl. head screw | 32 | 719127 | 6kt.-Schraube | Hexagonal screw | | | | |
| 13 | 1005233 | Scheibe | Washer | 33 | 557263 | Scheibe | Washer | | | | |
| 14 | 7925571 | Klemmstück kpl. (mit Pos. 15 und 17) | Clamping piece cpl. (with pos. 15 and 17) | 34 | 7925941 | Klammer-Schnell- verstellung kpl. (best. aus Pos. 35 bis 51) | Clamp quick adjust- ment cpl. (cons. of pos. 35 up to 51) | | | | |
| 15 | 7925573 | Winkel | Angle | 35 | 7925944 | Zylinder kpl. (mit Pos. 36) | Cylinder cpl. (with pos. 36) | | | | |
| 16 | 223700 | Zyl.-Schraube | Cyl. head screw | 36 | 2462566 | Lippenring | Lip seal | | | | |
| 17 | 933182 | Zyl.-Schraube | Cyl. head screw | 37 | 7972016 | Schlauchtülle | Hose nozzle | | | | |
| 18 | 7925582 | Skalablech, rechts | Scale plate, right hand | 38 | 7925951 | Klemmstück kpl. (mit Pos. 39) | Clamping piece cpl. (with pos. 39) | | | | |
| | 7925584 | Skalablech, rechts | Scale plate, right hand | 39 | 902380 | Zyl.-Schraube | Cyl. head screw | | | | |
| | 7925586 | Skalablech, rechts | Scale plate, right hand | 40 | 7925958 | Klemmstück kpl. (mit Pos. 41) | Clamping piece cpl. (with pos. 41) | | | | |
| | 7925588 | Skalablech, rechts | Scale plate, right hand | 41 | 2658878 | 6kt.-Schraube | Hexagonal screw | | | | |
| | 7925590 | Skalablech, rechts | Scale plate, right hand | 42 | 7925954 | Klemmstück kpl. (mit Pos. 43) | Clamping piece cpl. (with pos. 43) | | | | |
| | 7925594 | Skalablech, rechts | Scale plate, right hand | 43 | P 12110 | Zyl.-Schraube | Cyl. head screw | | | | |
| | 7925594 | Skalablech, rechts | Scale plate, right hand | 44 | 7925961 | Führung | Guide | | | | |
| | 7925581 | Skalablech, links | Scale plate, left hand | 45 | 7925963 | Achse | Axle | | | | |
| | 7925583 | Skalablech, links | Scale plate, left hand | 46 | 7461212 | Zyl.-Schraube | Cyl. head screw | | | | |
| | 7925585 | Skalablech, links | Scale plate, left hand | 47 | 7925965 | Buchse | Bush | | | | |
| | 7925587 | Skalablech, links | Scale plate, left hand | 48 | 7925966 | Druckfeder | Pressure spring | | | | |
| | 7925589 | Skalablech, links | Scale plate, left hand | 49 | 797111 | Ventil | Valve | | | | |
| | 7925593 | Skalablech, links | Scale plate, left hand | 50 | 7422036 | Zyl.-Schraube | Cyl. head screw | | | | |
| | 7925595 | Skalablech, links | Scale plate, left hand | | 71810508 | Zyl.-Schraube für 2 Ventile | Cyl. head screw for two valves | | | | |
| 20 | 7925595 | Klammerarm, links | Cramp arm, left hand | 51 | 5561075 | Federring | Spring ring | | | | |

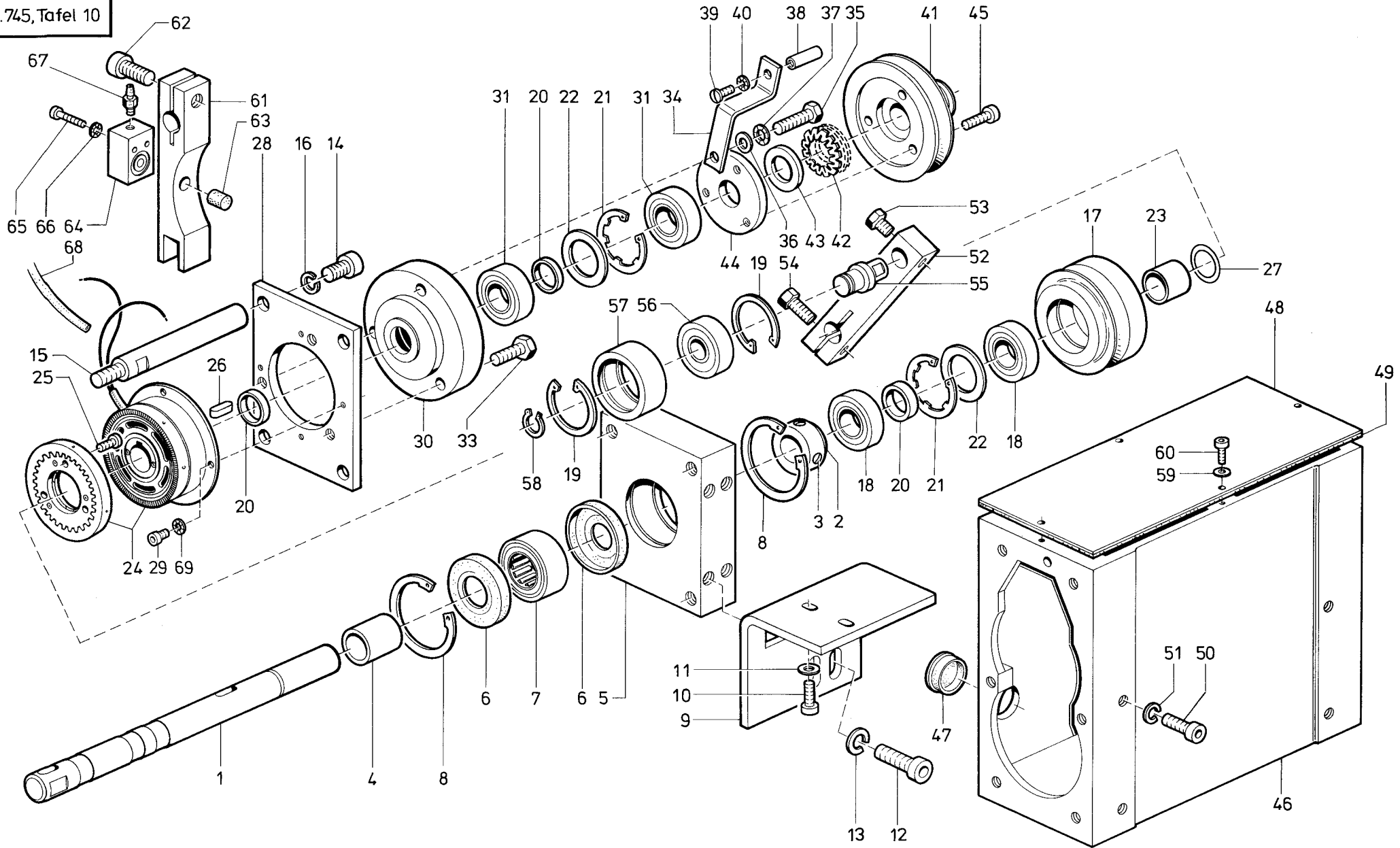




| Pos. Det. | Teile Nr. Part No. | Benennung | Denomination |
|-----------|--------------------|------------------------------------------|------------------------------------------|
| | | Getriebeteile | Gearing Parts |
| | 7926001 | Getriebe kpl. | Gear cpl. |
| 1 | 7926006 | Platte | Plate |
| 2 | 556362 | Zyl.-Schraube | Cyl. head screw |
| 3 | 74420566 | Scheibe | Washer |
| 4 | 211609 | Zahnscheibe | Tooth lock washer |
| 5 | 21150346 | Bolzen | Bolt |
| 6 | 7926015 | Welle | Shaft |
| 7 | 211109 | Sicher.-Ring | Safety ring |
| 8 | 93370043 | Sicher.-Ring | Safety ring |
| 9 | 7926019 | Rillenkugellager | Grooved ball bearing |
| 10 | 7926021 | Ritzel kpl. (mit Pos. 11) | Pinion cpl. (with pos. 11) |
| 11 | 223648 | Gewindestift | Threaded stud |
| 12 | 7926031 | Zahnscheibe kpl. (mit Pos. 13) | Gear wheel cpl. (with pos. 13) |
| 13 | 93378058 | Nadelhülse | Needle sleeve |
| 14 | 7926041 | Zahnscheibe kpl. (mit Pos. 13) | Gear wheel cpl. (with pos. 13) |
| 15 | 5561099k | Stellring kpl. (mit Pos. 16) | Set collar cpl. (with pos. 16) |
| 16 | 42084 | Gewindestift | Threaded stud |
| 17 | 7926056 | Welle | Shaft |
| 18 | 7926069 | Ritzel kpl. (mit Pos. 19) | Pinion cpl. (with pos. 19) |
| 19 | 935410 | Gewindestift | Threaded stud |
| 20 | 7926058 | Ritzel kpl. (mit Pos. 19) | Pinion cpl. (with pos. 19) |
| 21 | 93378051 | Zahnscheibe kpl. (mit Pos. 13) | Gear wheel cpl. (with pos. 13) |
| 22 | 7926081 | Zahnscheibe kpl. (mit Pos. 13 und 23) | Gear wheel cpl. (with pos. 13 and 23) |
| 23 | 7926088 | Nadelhülse | Needle sleeve |
| 24 | 7462329 | Anker | Armature |
| 25 | 902670 | Zyl.-Schraube | Cyl. head screw |
| 26 | 7926094 | Distanzring | Distance ring |
| 27 | 7462303 | Paßfeder | Fitting key |
| 28 | 7462328 | Magnetkörper | Magnet substance |
| 29 | 7462326 | Magnetgehäuse | Magnet housing |
| 30 | 7926099 | Rillenkugellager | Grooved ball bearing |
| 31 | 7926100 | Platte | Plate |
| 32 | 24414619 | Anschlagschraube | Stop screw |
| 33 | 74450244 | 6kt.-Mutter | Hexagonal nut |
| 34 | 7926104 | Gabel | Fork |

| Pos. Det. | Teile Nr. Part No. | Benennung | Denomination |
|-----------|--------------------|-------------------------------------|--------------------------------------|
| 35 | 93370175 | Zyl.-Schraube | Cyl. head screw |
| 36 | MG 8/7d | 6kt.-Mutter | Hexagonal nut |
| 37 | P 12110 | Zyl.-Schraube | Cyl. head screw |
| 38 | 7441426 | Federring | Spring ring |
| 39 | 74450243 | Scheibe | Washer |
| 40 | 74420778 | Zyl.-Schraube | Cyl. head screw |
| 41 | 911267 | Zahnscheibe | Tooth lock washer |
| 42 | 7395105 | 6kt.-Mutter | Hexagonal nut |
| 43 | 7926131 | Ritzel kpl. (mit Pos. 13 und 23) | Pinion cpl. (with pos. 13 and 23) |
| 44 | 93378254 | Zahnriemen | Toothed belt |
| 45 | 7926146 | Zahnriemen | Toothed belt |
| 46 | 7926151 | Distanzring | Distance ring |
| 47 | 5701364 | Paßfeder | Fitting key |
| 48 | 7926153 | Flansch | Flange |
| 49 | 74420876 | Gelenkscheibe | Flexible disc |
| 50 | 7926159 | Flansch | Flange |
| 51 | 74420877 | Senkschraube | Countersunk screw |
| 52 | MG 43/408 | 6kt.-Mutter | Hexagonal nut |
| 53 | 223237 | Gewindestift | Threaded stud |
| 54 | 0020071071035 | Schutzschlauch | Protective hose |

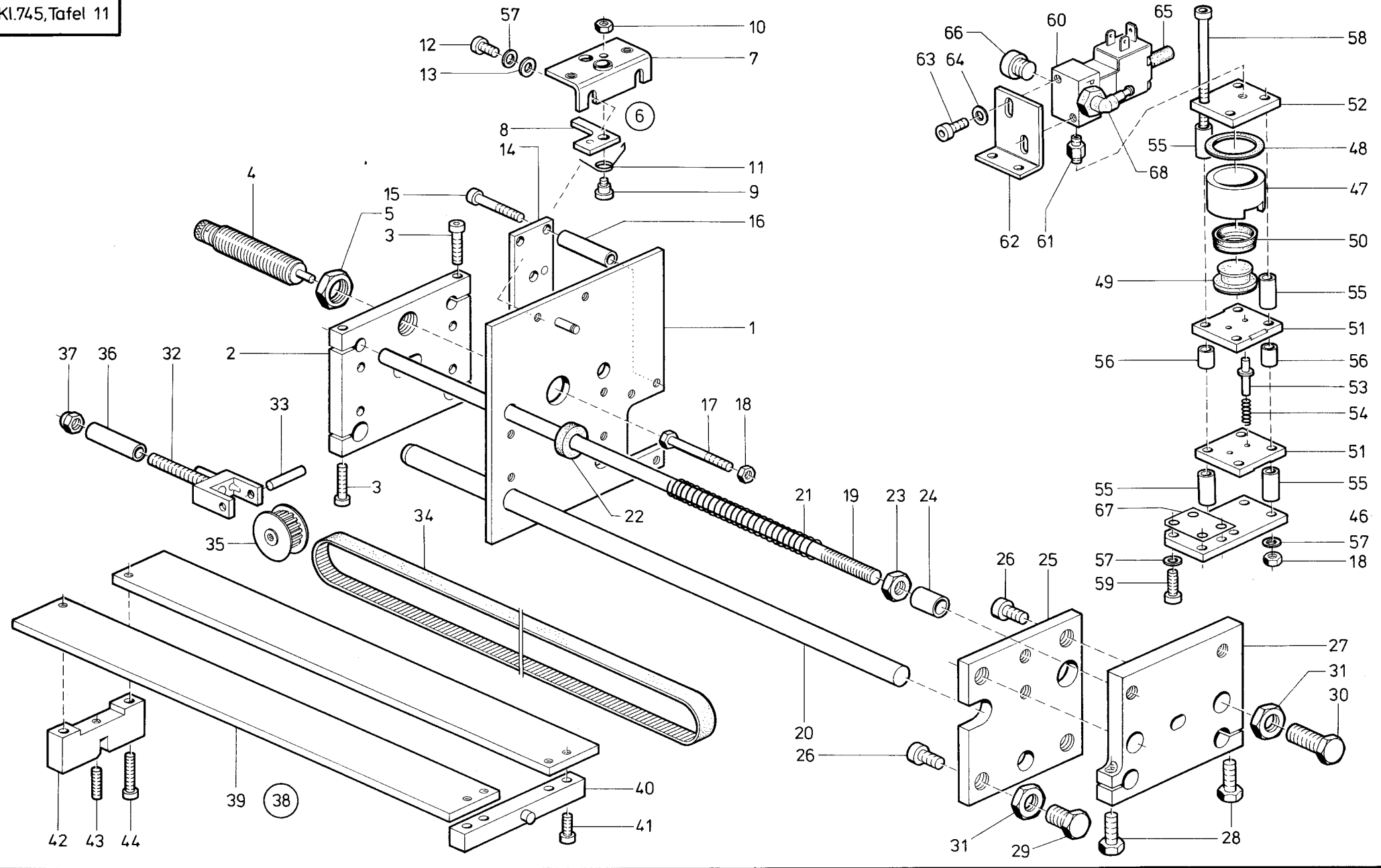
| Pos. Det. | Teile Nr. Part No. | Benennung | Denomination |
|-----------|--------------------|-----------|--------------|
| | | | |



| Pos. Det. | Teile Nr. Part No. | Benennung | Denomination |
|-----------|--------------------|--------------------------------|----------------------------------|
| | | Getriebeteile | Gearing Parts |
| 1 | 7926171 | Welle | Shaft |
| 2 | 74420512 | Stellring kpl. (mit Pos. 3) | Set collar cpl. (with pos. 3) |
| 3 | 223648 | Gewindestift | Threaded stud |
| 4 | 74420855 | Innenring | Bearing ring |
| 5 | 7926182 | Gehäuse | Housing |
| 6 | 74420854 | Schutzgehäuse | Protective cap |
| 7 | 74420853 | Nadellager | Needle bearing |
| 8 | 74420786 | Sicher.-Ring | Safety ring |
| 9 | 7926187 | Winkel | Angle |
| 10 | 7441509 | Zyl.-Schraube | Cyl. head screw |
| 11 | 74450243 | Scheibe | Washer |
| 12 | 74421026 | Zyl.-Schraube | Cyl. head screw |
| 13 | 74244586 | Lasche | Shackle |
| 14 | 911376 | Zyl.-Schraube | Cyl. head screw |
| 15 | 7926193a | Bolzen | Bolt |
| 16 | 7441017 | Federring | Spring ring |
| 17 | 7926201 | Riemenscheibe | Belt pulley |
| 18 | 55615301 | Kugellager | Ball bearing |
| 19 | 74420610 | Sicher.-Ring | Safety ring |
| 20 | 74420507 | Distanzring | Distance ring |
| 21 | 746429 | Sicher.-Ring | Lock washer |
| 22 | 746430 | Stützscheibe | Supporting washer |
| 23 | 7926211 | Distanzring | Distance ring |
| 24 | 7926212 | Zahnkupplung | Toothed coupler |
| 25 | 798796 | Zyl.-Schraube | Cyl. head screw |
| 26 | 74420576a | Paßfeder | Fitting key |
| 27 | 74420566 | Scheibe | Washer |
| 28 | 7926218 | Platte | Plate |
| 29 | 2464070 | Zyl.-Schraube | Cyl. head screw |
| 30 | 7926222 | Gehäuse | Housing |
| 31 | 55615301 | Kugellager | Ball bearing |
| 33 | 719127 | 6kt.-Schraube | Hexagonal screw |
| 34 | 7926231 | Winkel | Angle |
| 35 | 5581304 | 6kt.-Schraube | Hexagonal screw |
| 36 | 557263 | Scheibe | Washer |
| 37 | 557783 | Zahnscheibe | Tooth lock washer |
| 38 | 21150202 | Bolzen | Bolt |
| 39 | 219353 | Linsenschraube | Fillister head screw |
| 40 | 911267 | Zahnscheibe | Tooth lock washer |
| 41 | 7926241 | Riemenscheibe (50 Hz) | Belt pulley (50 Hz) |
| 41 | 7926246 | Riemenscheibe (60 Hz) | Belt pulley (60 Hz) |
| 42 | 74420518 | Sternscheibe | Special spring washer |

| Pos. Det. | Teile Nr. Part No. | Benennung | Denomination |
|-----------|-------------------------|-----------------------------------------------------|-----------------------------------------------------|
| 43 | 74420520 | Scheibe | Washer |
| 44 | 746356a | Scheibe | Washer |
| 45 | P 12110 | Zyl.-Schraube | Cyl. head screw |
| 46 | 7926005 | Getriebegehäuse | Gearing housing |
| 47 | 911514 | Verschlusskappe | Plastic cap |
| 48 | 7926251 | Deckel kpl. (mit Pos. 49) | Cover Plate cpl. (with pos. 49) |
| 49 | 002009022 90000, 600 | Klebeband | Adhesive tape |
| 50 | 5701392 | Zyl.-Schraube | Cyl. head screw |
| 51 | 5692773 | Federring | Spring ring |
| 52 | 7926262 | Hebel | Lever |
| 53 | 9424586 | 6kt.-Schraube | Hexagonal screw |
| 54 | 719127 | 6kt.-Schraube | Hexagonal screw |
| 55 | 74420631 | Bolzen | Bolt |
| 56 | 7421461 | Kugellager | Ball bearing |
| 57 | 7926268 | Rolle | Roll |
| 58 | 211109 | Sicher.-Ring | Safety ring |
| 59 | 1005233 | Scheibe | Washer |
| 60 | 5691922 | Zyl.-Schraube | Cyl. head screw |
| 61 | 7926292 | Klemmhalter kpl. (mit Pos. 62) | Clamping holder cpl. (with pos. 62) |
| 62 | 911376 | Zyl.-Schraube | Cyl. head screw |
| 63 | 7926295 | Bolzen | Bolt |
| 64 | 7971030 | Zylinder | Cylinder |
| 65 | 746450 | Zyl.-Schraube | Cyl. head screw |
| 66 | 739298 | Zahnscheibe | Tooth lock washer |
| 67 | 7972016 | Schlauchtülle | Hose nozzle |
| 68 | 0020089718031 | Schutzschlauch | Protective hose |
| 69 | 739298 | Zahnscheibe | Tooth lock washer |
| | 7926272 | Keilriemen (Motor/Getriebe) 10 x 560 | V-Belt (Motor/Gearing) 10 x 560 |
| | 7926274 | Keilriemen (Magnet-Masch.-Oberteil) 10 x 875 | V-Belt (Magn. coupler-Machine head) 10 x 875 |

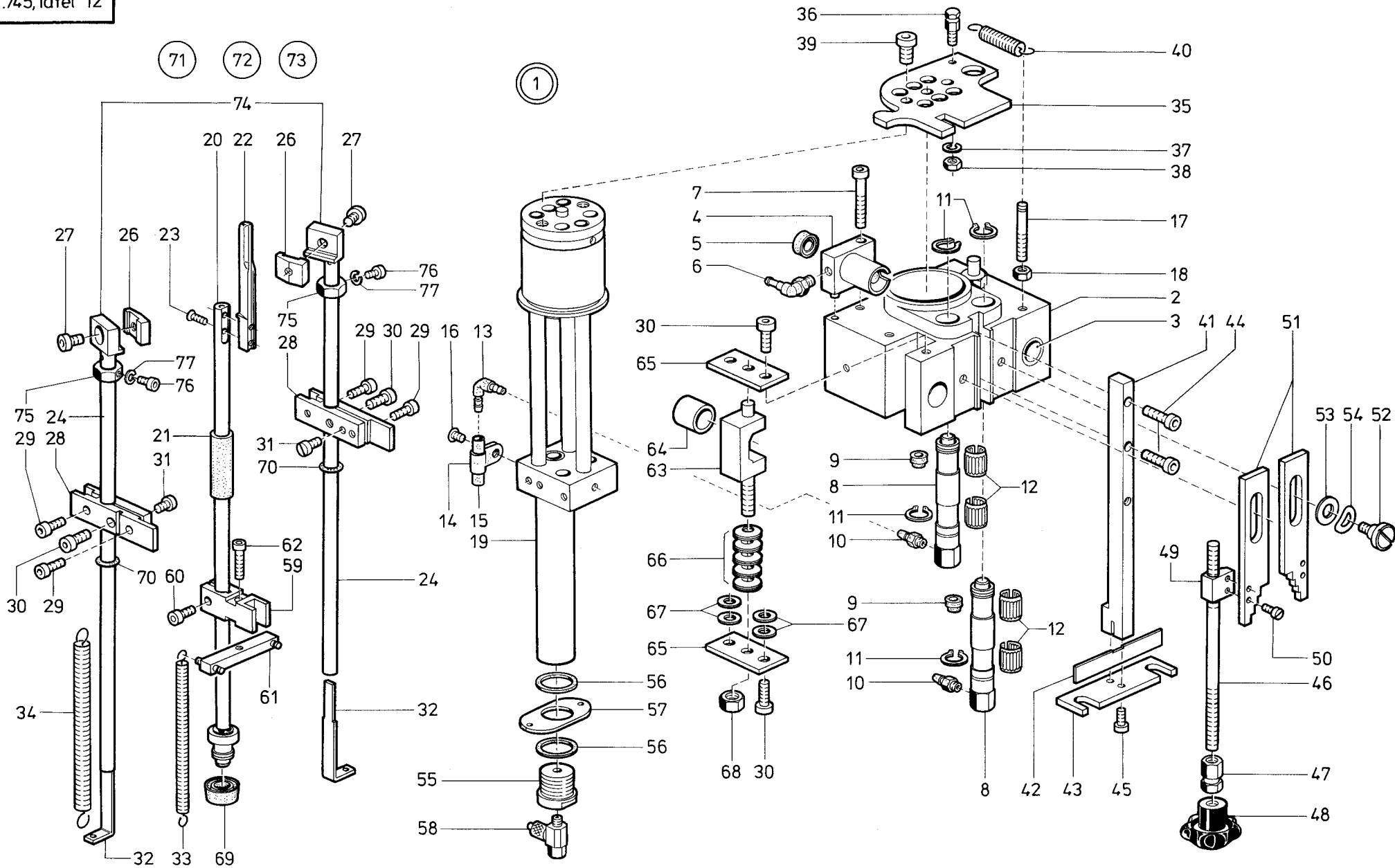
| Pos. Det. | Teile Nr. Part No. | Benennung | Denomination |
|-----------|--------------------|-----------|--------------|
|-----------|--------------------|-----------|--------------|



| Pos. Det. | Teile Nr. Part No. | Benennung | Denomination |
|-----------|--------------------|-----------------------------------------|---------------------------------------------------|
| 1 | 7927831 | Stegblech | Setting rule plate |
| 2 | 7927835 | Klemmplatte kpl. (mit Pos. 3) | Clamping plate cpl. (with pos. 3) |
| 3 | P 12110 | Zyl.-Schraube | Cyl. head screw |
| 4 | 793243 | Stoßdämpfer kpl. (mit Pos. 5) | Shock absorber cpl. (with pos. 5) |
| 5 | 5573512 | 6kt.-Mutter | Hexagonal nut |
| 6 | 7461327 | Winkel kpl. (best. aus Pos. 7 bis 11) | Angle cpl. (cons. of pos. 7 up to 11) |
| 7 | 7461328 | Winkel | Angle |
| 8 | 7461331 | Klinke | Ratchet |
| 9 | 569137 | Ansatzschraube | Shoulder screw |
| 10 | 211198 | 6kt.-Mutter | Hexagonal nut |
| 11 | 7461334 | Drehfeder | Torsion spring |
| 12 | 2461049 | Zyl.-Schraube | Cyl. head screw |
| 13 | 739595 | Scheibe | Washer |
| 14 | 7927036 | Platte | Plate |
| 15 | 5562363 | Zyl.-Schraube | Cyl. head screw |
| 16 | 7182624 | Hülse | Sleeve |
| 17 | MG 41/4627 | 6kt.-Schraube | Hexagonal screw |
| 18 | MG 8/7d | 6kt.-Mutter | Hexagonal nut |
| 19 | 7927823 | Gewindestange | Threaded rod |
| 20 | 7927821 | Welle | Shaft |
| 21 | 7927828 | Druckfeder | Pressure spring |
| 22 | 7925446 | Scheibe | Washer |
| 23 | 72042a | 6kt.-Mutter | Hexagonal nut |
| 24 | 570579 | Buchse | Bush |
| 25 | 7927802 | Platte | Plate |
| 26 | 556362 | Zyl.-Schraube | Cyl. head screw |
| 27 | 7927805 | Klemmplatte kpl. (mit Pos. 28) | Clamping plate cpl. (with pos. 28) |
| 28 | 7441658 | Zyl.-Schraube | Cyl. head screw |
| 29 | 7927812 | 6kt.-Schraube | Hexagonal screw |
| 30 | 7927811 | 6kt.-Schraube | Hexagonal screw |
| 31 | 55614146 | 6kt.-Mutter | Hexagonal nut |
| 32 | 74241342 | Gabel | Fork |
| 33 | 74241349 | Lagernadel | Bearing needle |
| 34 | 7927258 | Zahnriemen | Toothed belt |
| 35 | 7927261 | Ritzel | Pinion |
| 36 | 7421795 | Distanzhülse | Distance sleeve |
| 37 | 793316 | Spezialmutter | Special nut |
| 38 | 7927301 | Auflage kpl. (best. aus Pos. 39 bis 44) | Supporting plate cpl. (cons. of pos. 39 up to 44) |
| 39 | 7927302 | Auflageplatte | Supporting plate |

| Pos. Det. | Teile Nr. Part No. | Benennung | Denomination |
|-----------|--------------------|----------------|---------------------|
| 40 | 7927303 | Leiste | Reglet |
| 41 | 216123 | Zyl.-Schraube | Cyl. head screw |
| 42 | 7927306 | Bef.-Stück | Fastening piece |
| 43 | 93378909 | Gewindestift | Threaded stud |
| 44 | 216377 | Zyl.-Schraube | Cyl. head screw |
| 45 | MG 8/7d | 6kt.-Mutter | Hexagonal nut |
| 46 | 7927222 | Grundplatte | Base plate |
| 47 | 74241792 | Zylinderrohr | Cylinder tube |
| 48 | 74241799 | Dichtung | Gasket |
| 49 | 74241795 | Kolben | Piston |
| 50 | 7426431 | Lippenring | Lip seal |
| 51 | 7927227 | Platte | Plate |
| 52 | 7927228 | Platte | Plate |
| 53 | 74241797 | Bolzen | Bolt |
| 54 | MG 41/4259a | Druckfeder | Pressure spring |
| 55 | 74241807 | Buchse | Bushing |
| 56 | 7927234a | Buchse | Bushing |
| 57 | 74450243 | Scheibe | Washer |
| 58 | 93378932 | Zyl.-Schraube | Cyl. head screw |
| 59 | 7441509 | Zyl.-Schraube | Cyl. head screw |
| 60 | 797331 | Magnetventil | Solenoid valve |
| 61 | Z 11650 | Doppelnippel | Double nipple |
| 62 | 7927230 | Winkel | Angle |
| 63 | 7441509 | Zyl.-Schraube | Cyl. head screw |
| 64 | 74450243 | Scheibe | Washer |
| 65 | Z 11649 | Schalldämpfer | Silencer |
| 66 | P 12159 | Zyl.-Schraube | Cyl. head screw |
| 67 | 7927238 | Platte | Plate |
| 68 | 74423556 | Schl.-Verschr. | Hose coupling screw |

| Pos. Det. | Teile Nr. Part No. | Benennung | Denomination |
|-----------|--------------------|-----------|--------------|
|-----------|--------------------|-----------|--------------|

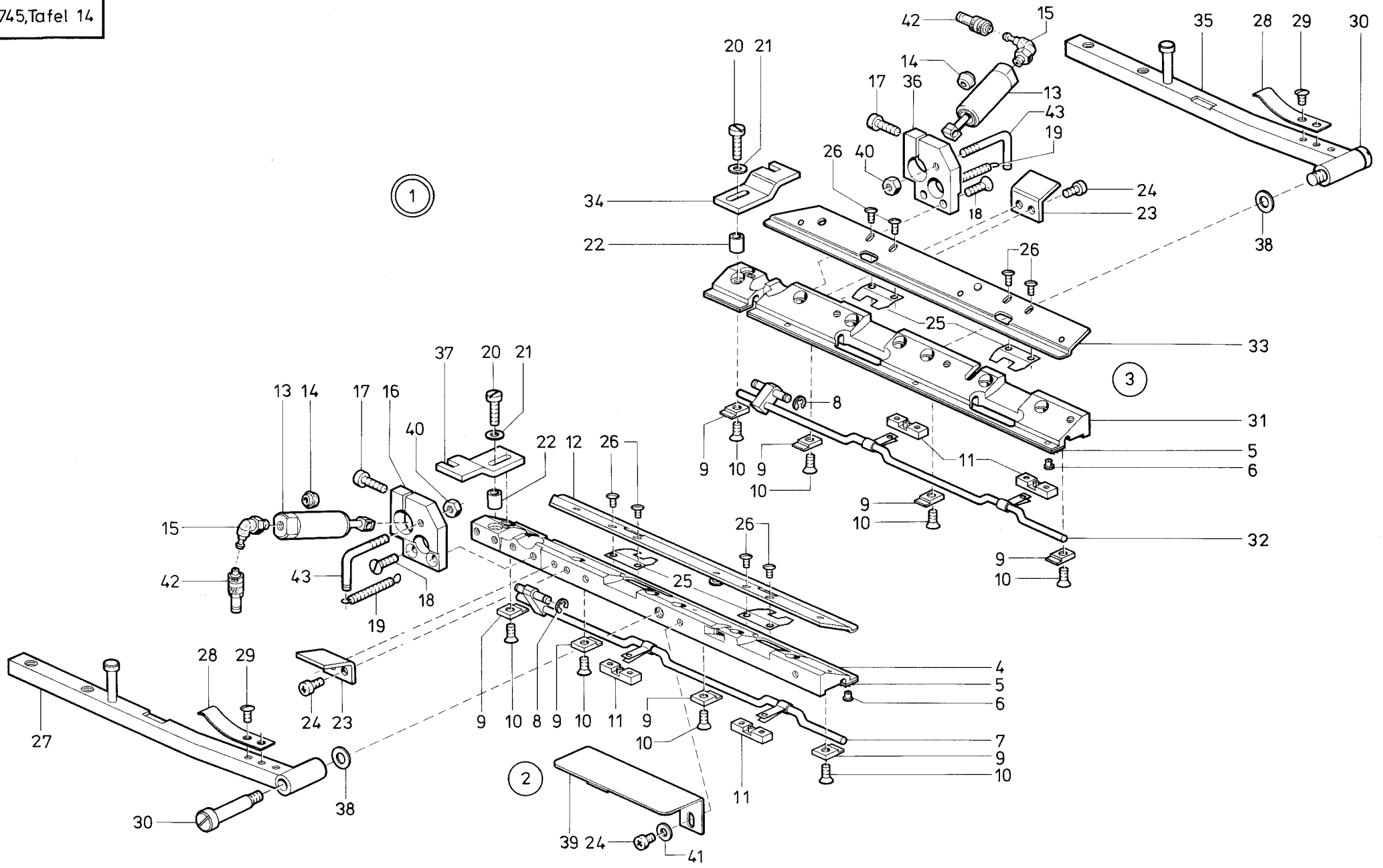


| Pos. Det. | Teile Nr. Part No. | Benennung | Denomination | Pos. Det. | Teile Nr. Part No. | Benennung | Denomination | Pos. Det. | Teile Nr. Part No. | Benennung | Denomination |
|-----------|--------------------|---------------------------------------|----------------------------------------|-----------|--------------------|-------------------------------------------------------------------|------------------------------------------------------------------|-----------|--------------------|-------------------------------------------------------------------|------------------------------------------------------------------|
| | | Schneideeinrichtung | Cutter device | | | | | | | | |
| 1 | 7927505 | Messerbock kpl. (Nahtende) | Knife block cpl. (end of seam) | 33 | 746891 | Zugfeder | Draw spring | 72 | 7927692 | Messerhalter kpl. (best. aus Pos. 22, 23, 26, 27, 74, 75, 76, 77) | Knife holder cpl. (cons. of pos. 22, 23, 26, 27, 74, 75, 76, 77) |
| 2 | 7927513 | Messerbock kpl. (mit Pos. 3) | Knife block cpl. (with pos. 3) | 34 | 746893a | Zugfeder | Draw spring | | | für 16 mm Nadelabstand | for 16 mm needle distance |
| 3 | 2918 | Sinterbuchse | Sintered bush | 35 | 7927731 | Stellungsplatte kpl. (mit Pos. 36, 37, 38) | Locking plate cpl. (with pos. 36, 37, 38) | 73 | 7927693 | Messerhalter kpl. (best. aus Pos. 22, 23, 26, 27, 74, 75, 76, 77) | Knife holder cpl. (cons. of pos. 22, 23, 26, 27, 74, 75, 76, 77) |
| 4 | 7927541 | Zylinder kpl. (mit Pos. 5) | Cylinder cpl. (with pos. 5) | 36 | 291513 | Spezialschraube | Special screw | | | für 20 mm Nadelabstand | for 20 mm needle distance |
| 5 | 21154075 | Lippenring | Lip seal | 37 | 5561075 | Federring | Spring ring | 74 | 7927671 | Kloben für Nadelabstand 8–14 mm (Abb. links) | Block for needle distance 8–14 mm (left illustr.) |
| 6 | 746768 | Schl.-Verschr. | Hose coupling screw | 38 | 202704 | 6kt.-Mutter | Hexagonal nut | | 7927672 | Kloben für Nadelabstand 8–14 mm (Abb. rechts) | Block for needle distance 8–14 mm (right illustr.) |
| 7 | 2386530 | Zyl.-Schraube | Cyl. head screw | 39 | 2194240 | Zyl.-Schraube | Cyl. head screw | | 7927683 | Kloben für Nadelabstand 16 mm (Abb. links) | Block for needle distance 16 mm (left illustr.) |
| 8 | 7927571 | Zylinder kpl. (mit Pos. 9) | Cylinder cpl. (with pos. 9) | 40 | 7927738 | Zugfeder | Draw spring | | 7927684 | Kloben für Nadelabstand 16 mm (Abb. rechts) | Block for needle distance 16 mm (right illustr.) |
| 9 | 55614030 | Lippenring | Lip seal | 41 | 7927742 | Leiste | Regler | | 7927685 | Kloben für Nadelabstand 20 mm (Abb. links) | Block for needle distance 20 mm (left illustr.) |
| 10 | 7972016 | Schlauchtülle | Hose nozzle | 42 | 746943 | Blattfeder | Leaf spring | | 7927686 | Kloben für Nadelabstand 20 mm (Abb. rechts) | Block for needle distance 20 mm (right illustr.) |
| 11 | 211109 | Sicher.-Ring | Circlip | 43 | 746944 | Platte | Plate | 75 | 7927696 | Ring | Ring |
| 12 | 7927589 | Toleranzring | Tolerance ring | 44 | 246130 | Zyl.-Schraube | Cyl. head screw | 76 | 933335 | Zyl.-Schraube | Cyl. head screw |
| 13 | 7972203 | Schl.-Verbindung | Hose connection | 45 | 7461033 | Zyl.-Schraube | Cyl. head screw | 77 | 2464069 | Federring | Spring ring |
| 14 | 94210318 | Kabelschelle | Cable clip | 46 | 746937 | Spindel | Spindle | | | | |
| 15 | 798101004 | Isoliertülle | Isolating hose | 47 | 746938 | 6kt.-Mutter | Hexagonal nut | | | | |
| 16 | 10019130 | Linsenschraube | Fillister head screw | 48 | 7441559 | Sterngriff | Star grip | | | | |
| 17 | 7927625 | Bolzen | Bolt | 49 | 746932 | Kloben | Block | | | | |
| 18 | 74450244 | 6kt.-Mutter | Hexagonal nut | 50 | 933335 | Zyl.-Schraube | Cyl. head screw | | | | |
| 19 | 7927641 | Lager | Bearing | 51 | 7927761 | Anschlagblech | Stop plate | | | | |
| 20 | 746846a | Rohr | Tube | 52 | 7927762 | Ansatzschraube | Shoulder screw | | | | |
| 21 | 746860 | Anschlagbuchse | Stopping sleeve | 53 | 570117 | Scheibe | Washer | | | | |
| 22 | 7927661 | Vorstecher kpl. (mit Pos. 23) | Pre-cutter cpl. (with pos. 23) | 54 | 420362 | Federscheibe | Spring washer | | | | |
| | | für 16–20 mm Nadelabstand | for 16–20 mm needle distance | 55 | 746864a | Spezialschraube | Special screw | | | | |
| | 746977 | Vorstecher kpl. (mit Pos. 23) | Pre-cutter cpl. (with pos. 23) | 56 | 746865a | Dichtung | Gasket | | | | |
| | | für 8–14 mm Nadelabstand | for 8–14 mm needle distance | 57 | 746863a | Platte | Plate | | | | |
| 23 | 74424194 | Senkschraube | Countersunk screw | 58 | 797411 | Drosselventil | Throttle valve | | | | |
| 24 | 7927695 | Stange | Rod | 59 | 7927121 | Klemmstück kpl. (mit Pos. 60) | Clamping piece cpl. (with pos. 60) | | | | |
| 26 | 746878 | Klemmstück | Clamping piece | 60 | 7441968 | Zyl.-Schraube | Cyl. head screw | | | | |
| 27 | 746879 | Zyl.-Schraube | Cyl. head screw | 61 | 746855 | Leiste | Reglet | | | | |
| 28 | 7927701 | Gabelstück kpl. (mit Pos. 29, 30, 31) | Fork piece cpl. (with pos. 29, 30, 31) | 62 | 74420778 | Zyl.-Schraube | Cyl. head screw | | | | |
| 29 | 7441968 | Zyl.-Schraube | Cyl. head screw | 63 | 7927161 | Kloben | Block | | | | |
| 30 | 7441509 | Zyl.-Schraube | Cyl. head screw | 64 | 7927165 | Buchse | Bush | | | | |
| 31 | 223676 | Zyl.-Schraube | Cyl. head screw | 65 | 7927169 | Platte | Plate | | | | |
| 32 | 746875a | Verlängerung | Lengthening plate | 66 | 933587 | Tellerfeder | Cup spring | | | | |
| | | | | 67 | 739595 | Scheibe | Washer | | | | |
| | | | | 68 | 793316 | Stop-Mutter | Stop nut | | | | |
| | | | | 69 | 2462566 | Lippenring | Lip seal | | | | |
| | | | | 70 | 746889 | Gummiring | Rubber ring | | | | |
| | | | | 71 | 7927671 | Messerhalter kpl. (best. aus Pos. 22, 23, 26, 27, 74, 75, 76, 77) | Knife holder cpl. (cons. of pos. 22, 23, 26, 27, 74, 75, 76, 77) | | | | |
| | | | | | | für 8–14 mm Nadelabstand | for 8–14 mm needle distance | | | | |

| Pos. Det. | Teile Nr. Part No. | Benennung | Denomination |
|-----------|--------------------|-----------------------------------------------------------|---------------------------------------------------------------|
| 1 | 7927507 | Messerbock kpl. (Nahtanfang)* | Knife block cpl. (beginning of seam)* |
| 2 | 7927515 | Messerbock | Knife block |
| 3 | 7927542 | Zylinder kpl. (mit Pos. 4) | Cylinder cpl. (with pos. 4) |
| 4 | 21154075 | Lippenring | Lip seal |
| 5 | 746768 | Schl.-Verschr. | Hose coupling screw |
| 6 | 2386530 | Zyl.-Schraube | Cyl. head screw |
| 7 | 746826 | Kugelbüchse | Ball sleeve |
| 8 | 74420507 | Distanzscheibe | Distance washer |
| 9 | 21125 | Sicher.-Ring | Safety ring |
| 10 | 7927621 | Winkel kpl. (mit Pos. 11) | Angle cpl. (with pos. 11) |
| 11 | 249674 | Splint | Split pin |
| 12 | 7441509 | Zyl.-Schraube | Cyl. head screw |
| 13 | 7927167 | Winkel | Angle |
| 14 | 7927161 | Kloben | Block |
| 15 | 7927165 | Buchse | Bush |
| 16 | 933587 | Tellerfeder | Cup spring |
| 17 | 7927169 | Platte | Plate |
| 18 | 739595 | Scheibe | Washer |
| 19 | 793316 | Stop Mutter | Stop nut |
| 20 | 7927741 | Leiste | Reglet |
| 21 | 246130 | Zyl.-Schraube | Cyl. head screw |
| 22 | 94210318 | Schelle | Clip |
| 23 | 10019130 | Linsenschraube | Fillister head screw |
| 24 | 7927628 | Platte | Plate |
| 25 | 570912 | Zyl.-Schraube | Cyl. head screw |
| 26 | 798795 | Scheibe | Washer |
| 27 | 7927275 | Klemmring kpl. (mit Pos. 28) | Clamping ring cpl. (with pos. 28) |
| 28 | 93311296 | Zyl.-Schraube | Cyl. head screw |
| 29 | 7927871 | Messersperre kpl. (best. aus Pos. 30 bis 41) | Knife stop-work cpl. (cons. of pos. 30 up to 41) |
| 30 | 7927873 | Winkel, vorn | Angle, front side |
| 31 | 7927874 | Winkel, hinten | Angle, back side |
| 32 | 10019130 | Linsenschraube | Fillister head screw |
| 33 | 7971032 | Zylinder | Cylinder |
| 34 | 746450 | Zyl.-Schraube | Cyl. head screw |
| 35 | 7927880 | Anschlag | Stop |
| 36 | 797331 | Magnetventil | Solenoid valve |
| 37 | Z 11649 | Schalldämpfer | Silencer |
| 38 | 7441509 | Zyl.-Schraube | Cyl. head screw |
| 39 | 024275 | Scheibe | Washer |

| Pos. Det. | Teile Nr. Part No. | Benennung | Denomination |
|-----------|--------------------|------------------------------------|----------------------------------|
| 40 | 7972016 | Schlauchtülle | Hose nozzle |
| 41 | 74221623 | Leitung kpl. | Cable cpl. |
| | | * Weitere Teile siehe Tafel 12! | * Further parts see table 12! |

| Pos. Det. | Teile Nr. Part No. | Benennung | Denomination |
|-----------|--------------------|-----------|--------------|
|-----------|--------------------|-----------|--------------|



| Pos. Det. | Teile Nr. Part No. | Benennung | Denomination |
|-----------|--------------------|----------------------------------------------------------------------------------------------------------|------------------------------------------------------------------------------------------------------------------|
| 1 | 79210001 | Klammereinrichtung „K 11“ kpl. (best. aus Pos. 2 und 3) | Clamp equipment „K 11“ cpl. (cons. of pos. 2 and 3) |
| 2 | 79210003 | Klammer links kpl. (best. aus Pos. 4 bis 30, 37 bis 43) | Clamp, left hand cpl. (cons. of pos. 4 up to 30, 37 up to 43) |
| 3 | 79210153 | Klammer rechts kpl. (best. aus Pos. 5, 6, 8 bis 11, 13, 14, 15, 17 bis 26, 28 bis 36, 38, 40, 42, 43) | Clamp, right hand cpl. (cons. of pos. 5, 6, 8 up to 11, 13, 14, 15, 17 up to 26, 28 up to 36, 38, 40, 42, 43) |
| 4 | 79210005 | Druckleiste kpl. (mit Pos. 5 und 6) | Pressure border cpl. (with pos. 5 and 6) |
| 5 | 74640006 | Transportstreifen, lang | Transport strip, long |
| | 7928010 | Transportstreifen, kurz | Transport strip, short |
| 6 | 71812786 | Rohrniet | Pipe rivet |
| 7 | 79210021 | Kurbel | Crank |
| 8 | 10019228 | Sicher.-Scheibe | Lock washer |
| 9 | 74640014 | Platte | Plate |
| 10 | 74255716 | Senkschraube | Countersunk screw |
| 11 | 74640017 | Führungsbock | Guide block |
| 12 | 74640024 | Faltblech | Fold plate |
| 13 | 79210061 | Zylinder kpl. (mit Pos. 14) | Cylinder cpl. (with pos. 14) |
| 14 | 246348 | Lippenring | Lip seal |
| 15 | 746768 | Stecknippel | Plug nipple |
| 16 | 79210051 | Klemmstück kpl. (mit Pos. 17, 40, 43) | Clamping piece cpl. (with pos. 17, 40, 43) |
| 17 | 74420778 | Zyl.-Schraube | Cyl. head screw |
| 18 | 271169 | Senkschraube | Countersunk screw |
| 19 | 216152 | Zugfeder | Draw spring |
| 20 | 21646 | Zyl.-Schraube | Cyl. head screw |
| 21 | 531460 | Scheibe | Washer |
| 22 | 74640118a | Hülse | Sleeve |
| 23 | 7928055 | Winkel | Angle |
| 24 | 271189 | Linsenschraube | Fillister head screw |
| 25 | 74640021 | Blattfeder | Leaf spring |
| 26 | 911339 | Linsenschraube | Fillister head screw |
| 27 | 7928057 | Klammerhalter | Clamp holder |
| 28 | 7928063 | Blattfeder | Leaf spring |
| 29 | 10019130 | Linsenschraube | Fillister head screw |
| 30 | 7928066 | Ansatzschraube | Shoulder screw |
| 31 | 79210155 | Druckleiste kpl. (mit Pos. 5 und 6) | Pressure border cpl. (with pos. 5 and 6) |
| 32 | 79210171 | Kurbel | Crank |

| Pos. Det. | Teile Nr. Part No. | Benennung | Denomination |
|-----------|--------------------|------------------------------------------|-----------------------------------------------|
| 33 | 74640164 | Faltblech | Fold plate |
| 34 | 7928153 | Platte | Plate |
| 35 | 7928157 | Klammerhalter | Clamp holder |
| 36 | 79210201 | Klemmstück kpl. (mit Pos. 17, 40, 43) | Clamping piece cpl. (with pos. 17, 40, 43) |
| 37 | 7928053 | Platte | Plate |
| 38 | 7928065 | Scheibe | Washer |
| 39 | 7928091 | Winkel | Angle |
| 40 | 202704 | 6kt.-Mutter | Hexagonal nut |
| 41 | 5691895 | Scheibe | Washer |
| 42 | 74640379 | Kupplungsstecker | Coupler plug |
| 43 | 79210054 | Federbolzen | Spring holder |

| Pos. Det. | Teile Nr. Part No. | Benennung | Denomination |
|-----------|--------------------|-----------|--------------|
|-----------|--------------------|-----------|--------------|

| Pos. Det. | Teile Nr. Part No. | Benennung | Denomination |
|-----------|--------------------|---------------------------------------------------------------------------------------|--------------------------------------------------------------------------------------|
| 1 | 79310301 | Klammereinrichtung „K 12“ kpl. für 180 mm (best. aus Pos. 2 und auf Tafel 14, Pos. 2) | Clamp equipment „K 12“ cpl. for 180 mm (cons. of pos. 2 and on the table 14, pos. 2) |
| 2 | 79210303 | Klammer rechts kpl. (best. aus Pos. 3 bis 77) | Clamp right hand cpl. (cons. of pos. 3 up to 77) |
| 3 | 79210155 | Druckleiste kpl. (mit Pos. 4 und 5) | Pressure border cpl. (with pos. 4 and 5) |
| 4 | 74640006 | Transportstreifen, lang | Transport strip, long |
| | 7928010 | Transportstreifen, kurz | Transport strip, short |
| 5 | 71812786 | Rohrniet | Pipe rivet |
| 6 | 79210171 | Kurbel | Crank |
| 7 | 10019228 | Sicher.-Scheibe | Lock washer |
| 8 | 74640014 | Platte | Plate |
| 9 | 74255716 | Senkschraube | Countersunk screw |
| 10 | 74640017 | Führungsbock | Guide block |
| 11 | 74640021 | Blattfeder | Leaf spring |
| 12 | 911339 | Linsenschraube | Fillister head screw |
| 13 | 79210061 | Zylinder kpl. (mit Pos. 14) | Cylinder cpl. (with pos. 14) |
| 14 | 246348 | Lippenring | Lip seal |
| 15 | 746768 | Stecknippel | Plug nipple |
| 16 | 79210321 | Klemmstück kpl. (mit Pos. 17 und 32) | Clamping piece cpl. (with pos. 17 and 32) |
| 17 | 74420778 | Zyl.-Schraube | Cyl. head screw |
| 18 | 271169 | Senkschraube | Countersunk screw |
| 19 | 216152 | Zugfeder | Draw spring |
| 20 | 531460 | Scheibe | Washer |
| 21 | 74640118a | Hülse | Sleeve |
| 22 | 7928157 | Klammerhalter | Clamp holder |
| 23 | 7928163 | Blattfeder | Leaf spring |
| 24 | 10019130 | Linsenschraube | Fillister head screw |
| 25 | 7928066 | Ansatzschraube | Shoulder screw |
| 26 | 21646 | Zyl.-Schraube | Cyl. head screw |
| 27 | 74640323 | Faltblech kpl. (mit Pos. 29) | Fold plate cpl. (with pos. 29) |
| 28 | 7928225 | Leiste | Reglet |
| 29 | 74640027 | Reflexfolie | Reflex foil |
| 30 | 79210311 | Auflage | Supporting plate |
| 31 | 74640074 | Distanzstück | Distance piece |
| 32 | 5691895 | Scheibe | Washer |
| 33 | 202704 | 6kt.-Mutter | Hexagonal nut |
| 34 | 79210351 | Pattenklemme | Flap clamping |
| 35 | 7928226 | Leiste kpl. (mit Pos. 75) | Reglet cpl. (with pos. 75) |

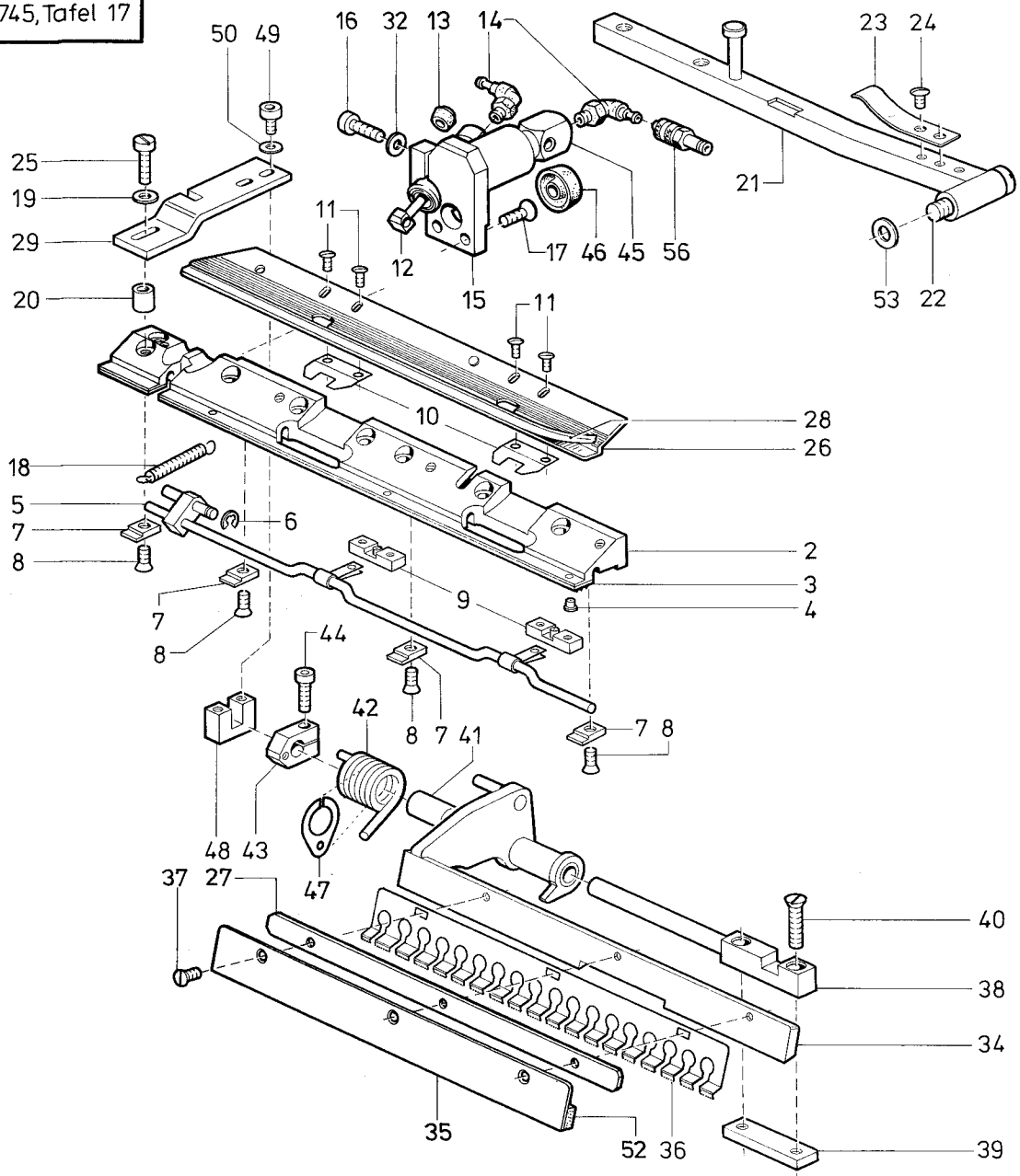
| Pos. Det. | Teile Nr. Part No. | Benennung | Denomination |
|-----------|--------------------|----------------------------------------------|---------------------------------------------|
| 36 | 74640645 | Kralle | Claw |
| 37 | 551987 | Senkschraube | Countersunk screw |
| 38 | 74640098 | Lagerbolzen | Bearing bolt |
| 39 | 74640100 | Gewindelasche | Threaded shackle |
| 40 | 5702382 | Senkschraube | Countersunk screw |
| 41 | 79210372 | Buchse | Bushing |
| 42 | 74640325 | Drehfeder | Torsion spring |
| 43 | 74640091 | Kloben kpl. (mit Pos. 44) | Block cpl. (with pos. 44) |
| 44 | 7441968 | Zyl.-Schraube | Cyl. head screw |
| 45 | 7928311 | Formanschlag kpl. (best. aus Pos. 46 bis 55) | Shape stop cpl. (cons. of pos. 46 up to 55) |
| 46 | 74640338 | Halter | Holder |
| 47 | 7928321 | Stange | Rod |
| 48 | 7928326 | Kloben kpl. (mit Pos. 49) | Block cpl. (with pos. 49) |
| 49 | 570912 | Zyl.-Schraube | Cyl. head screw |
| 50 | 7928328 | Anschlag kpl. (mit Pos. 49) | Stop cpl. (with pos. 49) |
| 51 | 7928334 | Führung | Guidance |
| 52 | 939394 | Zyl.-Schraube | Cyl. head screw |
| 53 | 55890 | Scheibe | Washer |
| 54 | 933335 | Zyl.-Schraube | Cyl. head screw |
| 55 | 1005233 | Scheibe | Washer |
| 66 | 74640379 | Kupplungsstecker | Coupler plug |
| 67 | 2462566 | Lippenring | Lip seal |
| 68 | 10019243 | Scheibe | Washer |
| 69 | 74640119 | Führungsstück | Guide piece |
| 70 | 271189 | Zyl.-Schraube | Cyl. head screw |
| 71 | 531460 | Scheibe | Washer |
| 72 | 7928211 | Halter | Holding plate |
| 73 | 7929065 | Scheibe | Washer |
| 74 | 271125 | Linsenschraube | Fillister head screw |
| 75 | 002902272000 | Gummistreifen | Rubber strip |
| 76 | 79210373 | Lasche | Shackle |
| 77 | 79210331 | Kolbenstange | Piston rod |

| Pos. Det. | Teile Nr. Part No. | Benennung | Denomination |
|-----------|--------------------|-----------|--------------|
|-----------|--------------------|-----------|--------------|

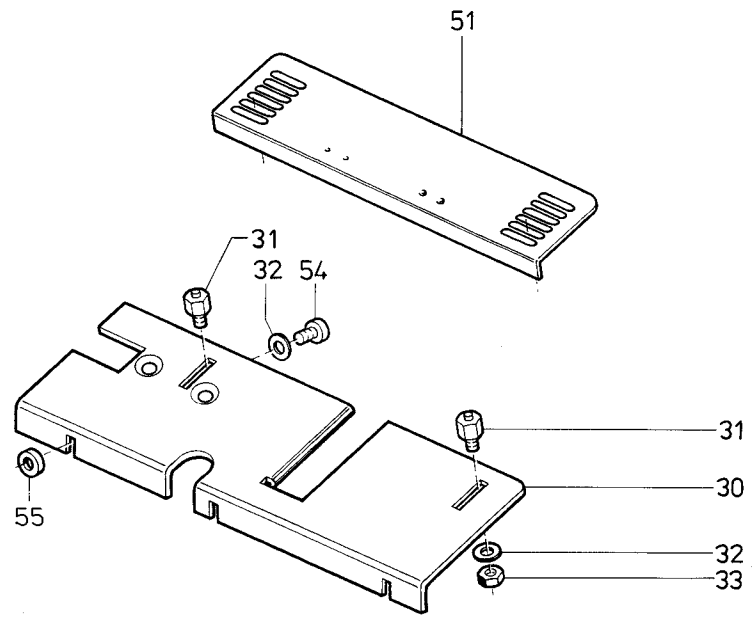
| Pos. Det. | Teile Nr. Part No. | Benennung | Denomination |
|-----------|--------------------|---------------------------------------------------------------------------------------|----------------------------------------------------------------------------------|
| 1 | 79210501 | Klammereinrichtung „K 13“ kpl. für 180 mm (best. aus Pos. 2 und auf Tafel 17, Pos. 1) | Clamp equipment „K 13“ cpl. for 180 mm (cons. of pos. 2 and on table 17, pos. 1) |
| 2 | 79210503 | Klammer links, kpl. (best. aus Pos. 3 bis 58) | Clamp, left hand cpl. (cons. of pos. 3 up to 58) |
| 3 | 71812786 | Rohrniet | Pipe rivet |
| 4 | 79210021 | Kurbel | Crank |
| 5 | 10019228 | Sicher.-Scheibe | Lock washer |
| 6 | 74640014 | Platte | Plate |
| 7 | 74255716 | Senkschraube | Countersunk screw |
| 8 | 74640017 | Führungsbock | Guide block |
| 9 | 74640021 | Blattfeder | Leaf spring |
| 10 | 911339 | Linsenschraube | Fillister head screw |
| 11 | 79210061 | Zylinder kpl. (mit Pos. 51) | Cylinder cpl. (with pos. 51) |
| 12 | 746768 | Stecknippel | Plug nipple |
| 13 | 79210521 | Klemmstück kpl. (mit Pos. 14 und 32) | Clamping piece cpl. (with pos. 14 and 32) |
| 14 | 74420778 | Zyl.-Schraube | Cyl. head screw |
| 15 | 271169 | Senkschraube | Countersunk screw |
| 16 | 216152 | Zugfeder | Draw spring |
| 17 | 531460 | Scheibe | Washer |
| 18 | 74640118a | Hülse | Sleeve |
| 19 | 21646 | Zyl.-Schraube | Cyl. head screw |
| 20 | 7928057 | Klammerhalter | Clamp holder |
| 21 | 7928063 | Blattfeder | Leaf spring |
| 22 | 10019130 | Linsenschraube | Fillister head screw |
| 23 | 7928066 | Ansatzschraube | Shoulder screw |
| 24 | 74640023 | Faltblech kpl. (mit Pos. 26) | Fold plate cpl. (with pos. 26) |
| 25 | 7928229 | Leiste | Reglet |
| 26 | 74640027 | Reflexfolie | Reflex foil |
| 27 | 7928406 | Platte | Plate |
| 28 | 271189 | Zyl.-Schraube | Cyl. head screw |
| 29 | 531460 | Scheibe | Washer |
| 30 | 79210511 | Auflage | Support plate |
| 31 | 74640074 | Distanzstück | Distance piece |
| 32 | 5691895 | Scheibe | Washer |
| 33 | 202704 | 6kt.-Mutter | Hexagonal nut |
| 34 | 74640075 | Anschlag | Stop |
| 35 | 7928226 | Leiste kpl. (mit Pos. 58) | Reglet cpl. (with pos. 58) |
| 36 | 74640645 | Kralle | Claw |

| Pos. Det. | Teile Nr. Part No. | Benennung | Denomination |
|-----------|--------------------|--------------------------------------|-------------------------------------------|
| 37 | 551987 | Senkschraube | Countersunk screw |
| 38 | 74640098 | Lagerbolzen | Bearing bolt |
| 39 | 74640100 | Gewindelasche | Threaded shackle |
| 40 | 5702382 | Senkschraube | Countersunk screw |
| 41 | 79210372 | Buchse | Bushing |
| 42 | 74640221 | Drehfeder | Torsion spring |
| 43 | 74640091 | Kloben kpl. (mit Pos. 44) | Block cpl. (with pos. 44) |
| 44 | 7441968 | Zyl.-Schraube | Cyl. head screw |
| 45 | 74640119 | Führungsstück | Guide piece |
| 46 | 79210331 | Kolbenstange | Piston rod |
| 47 | 2462566 | Lippenring | Lip seal |
| 48 | 79210373 | Lasche | Shackle |
| 49 | 79210005 | Druckleiste kpl. (mit Pos. 3 und 50) | Pressure border cpl. (with pos. 3 and 50) |
| 50 | 74640006 | Transportstreifen, lang | Transport strip, long |
| | 7928010 | Transportstreifen, kurz | Transport strip, short |
| 51 | 246348 | Lippenring | Lip seal |
| 52 | 79210551 | Pattenklemme | Flap clamping |
| 53 | 7928065 | Scheibe | Washer |
| 55 | 74640379 | Kupplungsstecker | Coupler plug |
| 56 | 10019243 | Scheibe | Washer |
| 57 | 271125 | Linsenschraube | Fillister head screw |
| 58 | 00290227200 | Gummistreifen | Rubber strip |

| Pos. Det. | Teile Nr. Part No. | Benennung | Denomination |
|-----------|--------------------|-----------|--------------|
|-----------|--------------------|-----------|--------------|



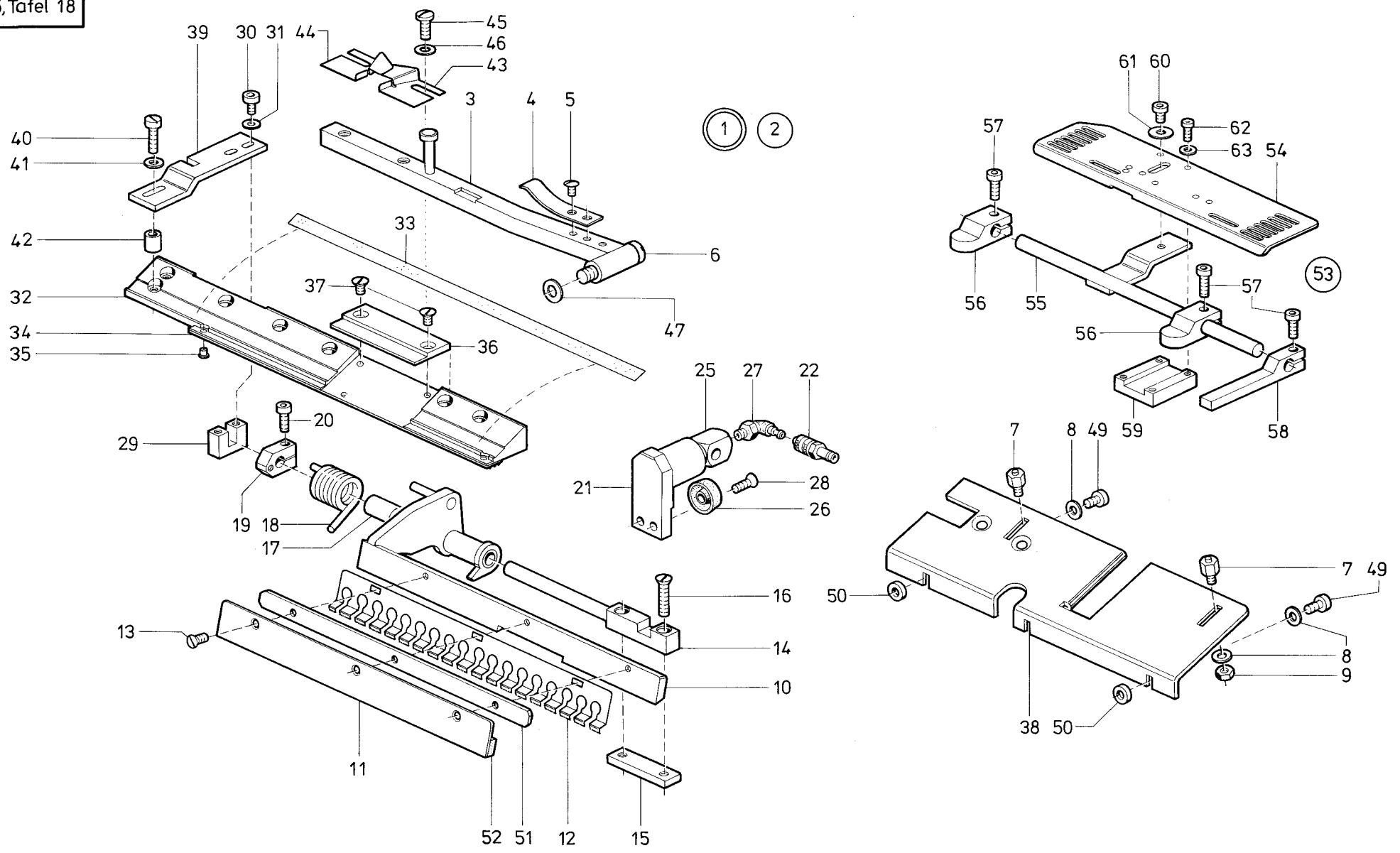
1



| Pos. Det. | Teile Nr. Part No. | Benennung | Denomination |
|-----------|--------------------|---------------------------------------------------|-------------------------------------------------------|
| 1 | 79210653 | Klammer, rechts kpl. (best. aus Pos. 2 bis 56) | Clamp, right hand, cpl. (cons. of pos. 2 up to 56) |
| 2 | 79210155 | Druckleiste kpl. (mit Pos. 3 und 4) | Pressure border cpl. (with pos. 3 and 4) |
| 3 | 74640006 | Transportstreifen, lang | Transport strip, long |
| | 7928010 | Transportstreifen, kurz | Transport strip, short |
| 4 | 71812786 | Rohrniet | Pipe rivet |
| 5 | 79210171 | Kurbel | Crank |
| 6 | 10019228 | Sicher.-Scheibe | Lock washer |
| 7 | 74640014 | Platte | Plate |
| 8 | 74255716 | Senkschraube | Countersunk screw |
| 9 | 74640017 | Führungsbock | Guide block |
| 10 | 74640021 | Blattfeder | Leaf spring |
| 11 | 911339 | Linsenschraube | Fillister head screw |
| 12 | 79210061 | Zylinder kpl. (mit Pos. 13) | Cylinder cpl. (with pos. 13) |
| 13 | 246348 | Lippenring | Lip seal |
| 14 | 746768 | Stecknippel | Plug nipple |
| 15 | 79210321 | Klemmstück kpl. (mit Pos. 16 und 32) | Clamping piece cpl. (with pos. 16 and 32) |
| 16 | 74420778 | Zyl.-Schraube | Cyl. head screw |
| 17 | 271169 | Senkschraube | Countersunk screw |
| 18 | 216152 | Zugfeder | Draw spring |
| 19 | 531460 | Scheibe | Washer |
| 20 | 74640118a | Hülse | Sleeve |
| 21 | 7928157 | Klammerhalter | Clamp holder |
| 22 | 7928066 | Ansatzschraube | Shoulder screw |
| 23 | 7928163 | Blattfeder | Leaf spring |
| 24 | 10019130 | Linsenschraube | Fillister head screw |
| 25 | 21646 | Zyl.-Schraube | Cyl. head screw |
| 26 | 74640323 | Faltblech kpl. (mit Pos. 28) | Fold plate cpl. (with pos. 28) |
| 27 | 7928225 | Leiste | Reglet |
| 28 | 74640027 | Reflexfolie | Reflex foil |
| 29 | 7928211 | Platte | Plate |
| 30 | 79210311 | Auflage | Support plate |
| 31 | 74640074 | Distanzstück | Distance piece |
| 32 | 5691895 | Scheibe | Washer |
| 33 | 202704 | 6kt.-Mutter | Hexagonal nut |
| 34 | 79210351 | Pattenklemme | Flap clamping |
| 35 | 7928226 | Leiste kpl. (mit Pos. 52) | Reglet cpl. (with pos. 52) |
| 36 | 74640645 | Kralle | Claw |
| 37 | 551987 | Senkschraube | Countersunk screw |

| Pos. Det. | Teile Nr. Part No. | Benennung | Denomination |
|-----------|--------------------|------------------------------|------------------------------|
| 38 | 74640098 | Lagerbolzen | Bearing bolt |
| 39 | 74640100 | Gewindelasche | Threaded shackle |
| 40 | 5702382 | Senkschraube | Countersunk screw |
| 41 | 79210372 | Buchse | Bushing |
| 42 | 74640325 | Drehfeder | Torsion spring |
| 43 | 74640091 | Kloben kpl. (mit Pos. 44) | Block cpl. (with pos. 44) |
| 44 | 7441968 | Zyl.-Schraube | Cyl. head screw |
| 45 | 79210331 | Kolbenstange | Piston rod |
| 46 | 2462566 | Lippenring | Lip seal |
| 47 | 79210373 | Lasche | Shackle |
| 48 | 74640119 | Führungsstück | Guide piece |
| 49 | 271189 | Zyl.-Schraube | Cyl. head screw |
| 50 | 531460 | Scheibe | Washer |
| 51 | 74640310 | Anschlag | Stop |
| 52 | 00290227200 | Gummistreifen | Rubber strip |
| 53 | 7928065 | Scheibe | Washer |
| 54 | 271125 | Linsenschraube | Fillister head screw |
| 55 | 10019243 | Scheibe | Washer |
| 56 | 74640379 | Kupplungsstecker | Coupler plug |

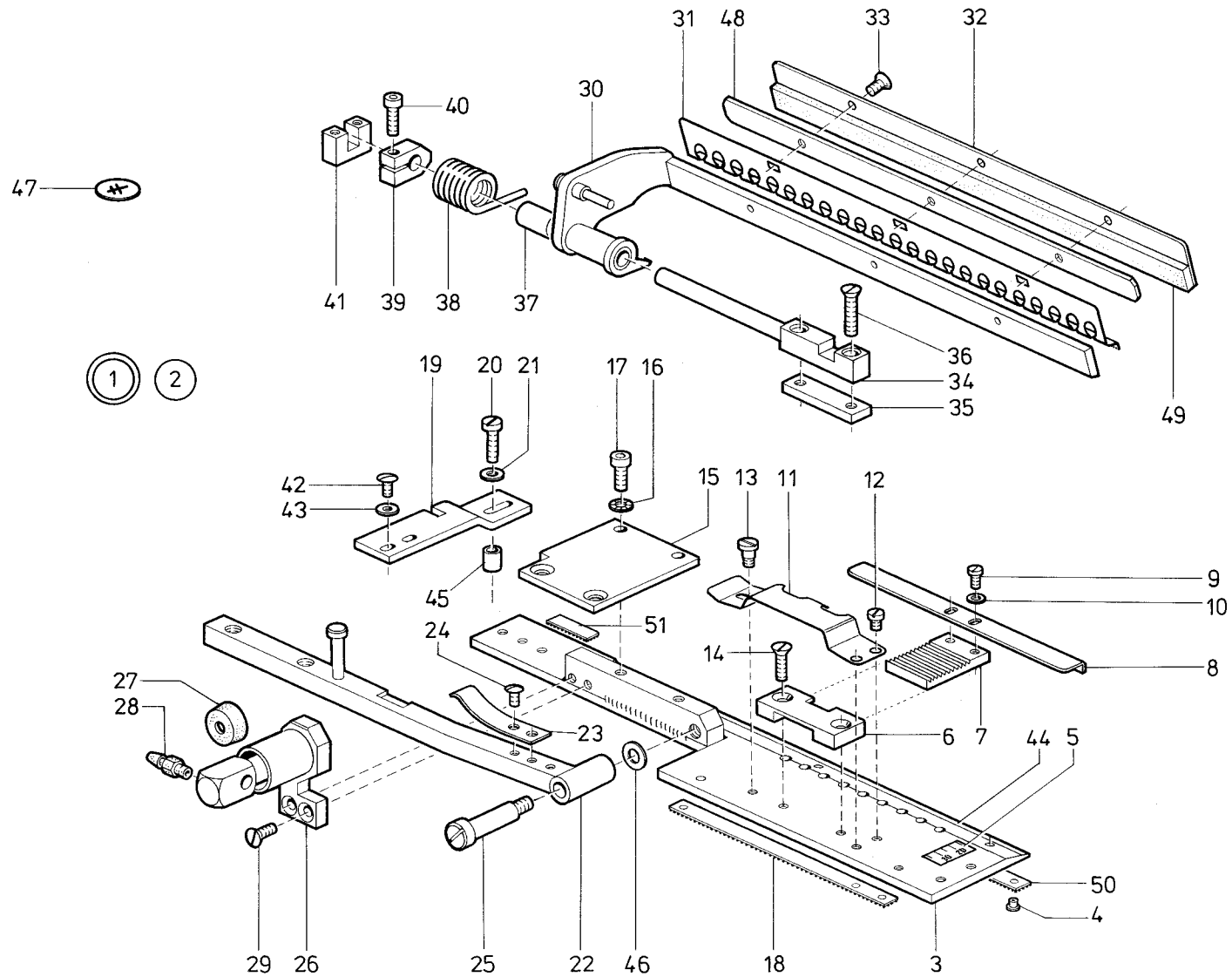
| Pos. Det. | Teile Nr. Part No. | Benennung | Denomination |
|-----------|--------------------|-----------|--------------|
|-----------|--------------------|-----------|--------------|



| Pos. Det. | Teile Nr. Part No. | Benennung | Denomination |
|-----------|--------------------|-------------------------------------------------------------------------------------------------|--------------------------------------------------------------------------------------------|
| 1 | 79210701 | Klammereinrichtung „K 14“ kpl., für 180 mm (best. aus Pos. 2 und auf Tafel 14, Pos. 2) | Clamp equipment „K 14“ cpl., for 180 mm (cons. of pos. 2 and on table 14, pos. 2) |
| 2 | 79210703 | Klammer rechts, kpl. (best. aus Pos. 3 bis 63) | Clamp, right hand cpl. (cons. of pos. 3 up to 63) |
| 3 | 7928157 | Klammerhalter | Clamp holder |
| 4 | 7926163 | Blattfeder | Leaf spring |
| 5 | 10019130 | Linsenschraube | Fillister head screw |
| 6 | 7928066 | Ansatzschraube | Shoulder screw |
| 7 | 74640074 | Distanzstück | Distance piece |
| 8 | 5691895 | Scheibe | Washer |
| 9 | 202704 | 6kt.-Mutter | Hexagonal nut |
| 10 | 79210351 | Pattenklemme | Flap clamping |
| 11 | 7928226 | Leiste kpl. (mit Pos. 52) | Reglet cpl. (with pos. 52) |
| 12 | 74640645 | Kralle | Claw |
| 13 | 551987 | Senkschraube | Countersunk screw |
| 14 | 74640098 | Lagerbolzen | Bearing bolt |
| 15 | 74640100 | Gewindelasche | Threaded shackle |
| 16 | 5702382 | Senkschraube | Countersunk screw |
| 17 | 79210372 | Buchse | Bushing |
| 18 | 74640325 | Drehfeder | Torsion spring |
| 19 | 74640091 | Kloben kpl. (mit Pos. 20) | Block cpl. (with pos. 20) |
| 20 | 7441968 | Zyl.-Schraube | Cyl. head screw |
| 21 | 79210711 | Halter | Holder |
| 22 | 74640379 | Kupplungsstecker | Coupler plug |
| 25 | 79210331 | Kolbenstange | Piston rod |
| 26 | 2462566 | Lippenring | Lip seal |
| 27 | 746768 | Stecknippel | Plug nipple |
| 28 | 90297 | Senkschraube | Countersunk screw |
| 29 | 74640119 | Führungsstück | Guide piece |
| 30 | 271189 | Zyl.-Schraube | Cyl. head screw |
| 31 | 531460 | Scheibe | Washer |
| 32 | 79210705 | Druckleiste kpl. (mit Pos. 33, 34, 35) | Pressure border cpl. (with pos. 33, 34, 35) |
| 33 | 74640027 | Reflexfolie | Reflex foil |
| 34 | 74640006 | Transportstreifen, lang | Transport strip, long |
| | 7928010 | Transportstreifen, kurz | Transport strip, short |
| 35 | 71812786 | Rohmriet | Pipe rivet |
| 36 | 74640351 | Aufnahme | Plate |
| 37 | 7395024 | Senkschraube | Countersunk screw |
| 38 | 79210311 | Auflage | Supporting plate |
| 39 | 7928211 | Halter | Holder |

| Pos. Det. | Teile Nr. Part No. | Benennung | Denomination |
|-----------|--------------------|----------------------------------------------------|---------------------------------------------------|
| 40 | 21646 | Zyl.-Schraube | Cyl. head screw |
| 41 | 531460 | Scheibe | Washer |
| 42 | 74640118a | Hülse | Sleeve |
| 43 | 74640353 | Schlaufenführung | Loop guidance |
| 44 | 74640354 | Schlaufenführung | Loop guidance |
| 45 | 9336268 | Linsenschraube | Fillister head screw |
| 46 | 024275 | Scheibe | Washer |
| 47 | 7928065 | Scheibe | Washer |
| 49 | 271125 | Linsenschraube | Fillister head screw |
| 50 | 10019243 | Scheibe | Washer |
| 51 | 7928225 | Leiste | Reglet |
| 52 | 00290227200 | Gummistreifen | Rubber strip |
| 53 | 7928311 | Formanschlag kpl. (best. aus Pos. 54 bis 63) | Shape stop cpl. (cons. of pos. 54 up to 63) |
| 54 | 74640338 | Halter | Holder |
| 55 | 7928321 | Stange | Rod |
| 56 | 7928326 | Kloben kpl. (mit Pos. 57) | Block cpl. (with pos. 57) |
| 57 | 570912 | Zyl.-Schraube | Cyl. head screw |
| 58 | 7928328 | Anschlag kpl. (mit Pos. 57) | Stop cpl. (with pos. 57) |
| 59 | 7928334 | Führung | Guidance |
| 60 | 939394 | Zyl.-Schraube | Cyl. head screw |
| 61 | 55890 | Scheibe | Washer |
| 62 | 933335 | Zyl.-Schraube | Cyl. head screw |
| 63 | 1005233 | Scheibe | Washer |

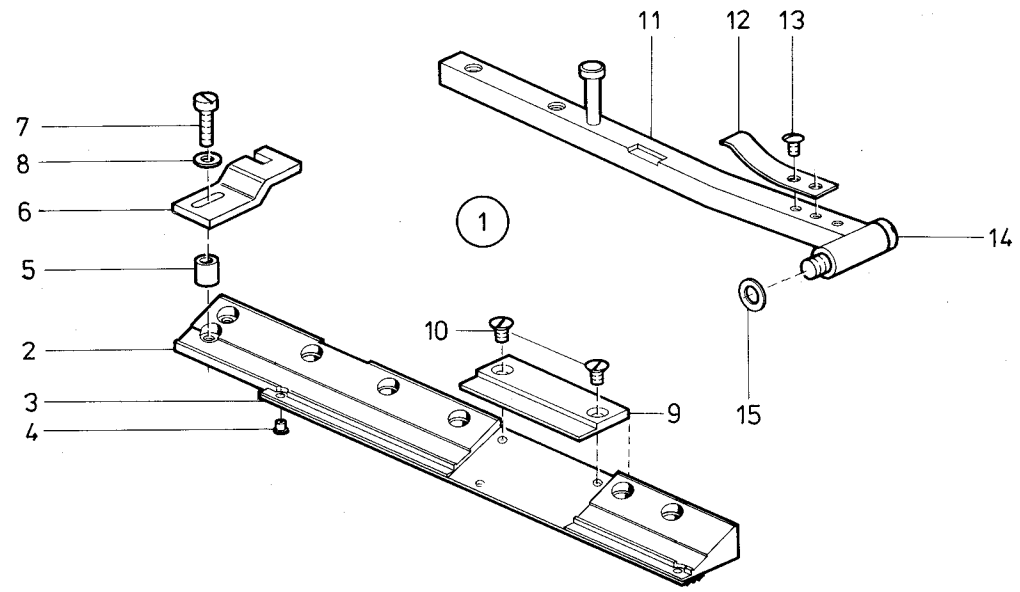
| Pos. Det. | Teile Nr. Part No. | Benennung | Denomination |
|-----------|--------------------|-----------|--------------|
|-----------|--------------------|-----------|--------------|

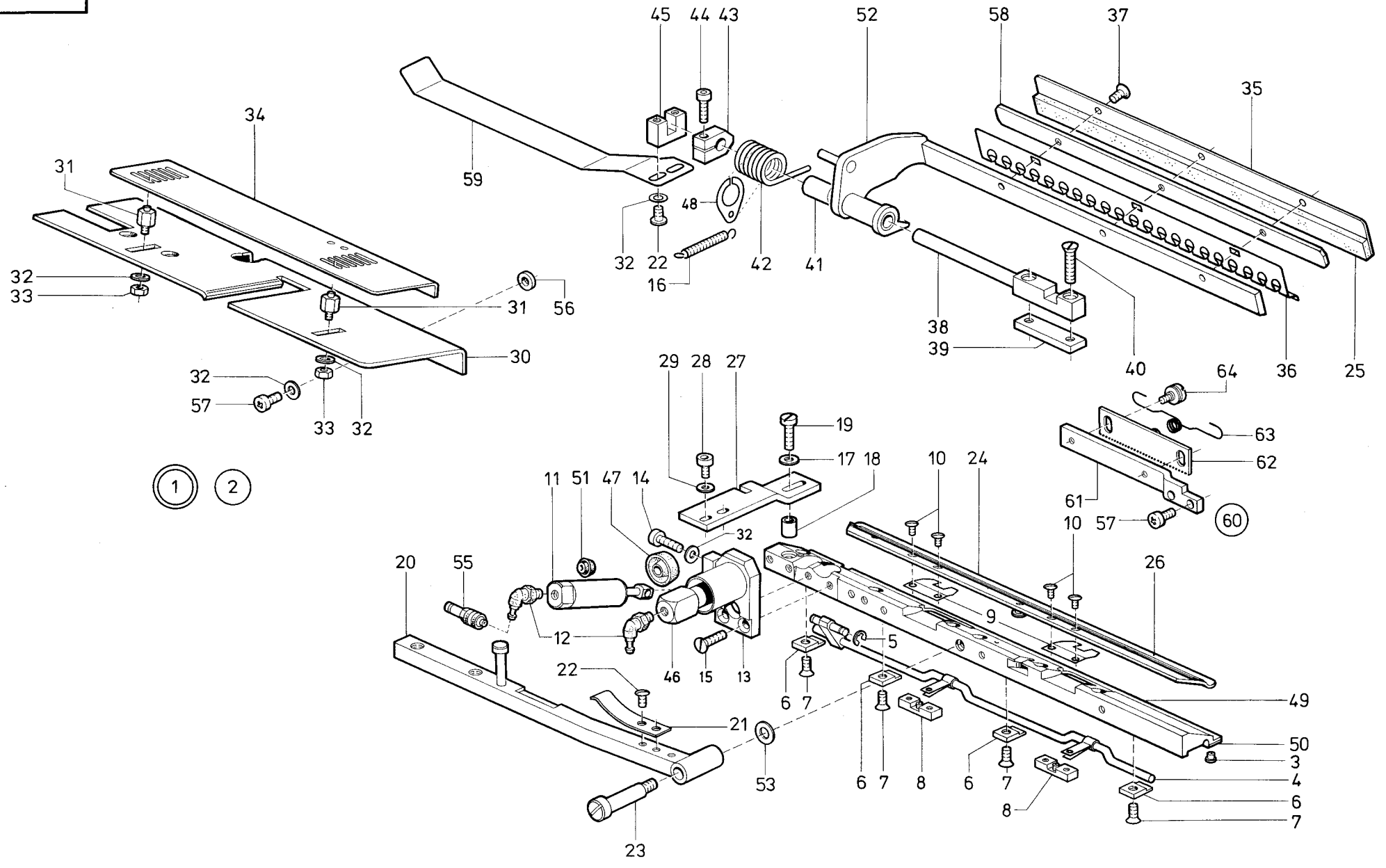


| Pos. Det. | Teile Nr. Part No. | Benennung | Denomination |
|-----------|--------------------|--------------------------------------------------------------------------|---------------------------------------------------------------------|
| 1 | 7928801 | Klammereinrichtung „K 5“ kpl. (best. aus Pos. 2 und auf Tafel 20 Pos. 1) | Cramp equipment „K 5“ cpl. (cons. of pos. 2 and on table 20 pos. 1) |
| 2 | 7928803 | Klammer links, kpl. (best. aus Pos. 3 bis 46) | Cramp, left hand, cpl. (cons. of pos. 3 up to 46) |
| 3 | 74640505 | Druckleiste kpl. (mit Pos. 4, 18, 44, 50, 51) | Pressure border cpl. (with pos. 4, 18, 44, 50, 51) |
| 4 | 7463265 | Niet | Rivet |
| 5 | 74640530 | Skala | Scale foil |
| 6 | 74640511 | Führung | Guidance |
| 7 | 74640527 | Leiste | Reglet |
| 8 | 74640528 | Anschlag | Stop |
| 9 | 5561686 | Zyl.-Schraube | Cyl. head screw |
| 10 | 1005233 | Scheibe | Washer |
| 11 | 74640523 | Blattfeder | Leaf spring |
| 12 | 556947 | Zyl.-Schraube | Cyl. head screw |
| 13 | 2196367 | Ansatzschraube | Shoulder screw |
| 14 | 90297 | Senkschraube | Countersunk screw |
| 15 | 74640513 | Platte | Plate |
| 16 | MG 43/2950a | Fächerscheibe | Lock Washer |
| 17 | 2461049 | Zyl.-Schraube | Cyl. head screw |
| 18 | 74640509 | Transportstreifen | Transport strip |
| 19 | 7928406 | Platte | Plate |
| 20 | 21646 | Zyl.-Schraube | Cyl. head screw |
| 21 | 531460 | Scheibe | Washer |
| 22 | 7928057 | Klammerhalter | Cramp holder |
| 23 | 7928847 | Blattfeder | Leaf spring |
| 24 | 10019130 | Linsenschraube | Fillister head screw |
| 25 | 7928066 | Ansatzschraube | Shoulder screw |
| 26 | 74640222 | Zylinder kpl. (mit Pos. 27) | Cylinder cpl. (with pos. 27) |
| 27 | 2462566 | Lippenring | Lip seal |
| 28 | 7972016 | Schlauchtülle | Hose nozzle |
| 29 | 90297 | Senkschraube | Countersunk screw |
| 30 | 74640412 | Pattenklemme | Flap clamping |
| 31 | 74640419 | Kralle | Claw |
| 32 | 7928835 | Leiste kpl. (mit Pos. 49) | Reglet cpl. (with pos. 49) |
| 33 | 551987 | Senkschraube | Countersunk screw |
| 34 | 74640098 | Lagerbolzen | Bearing bolt |
| 35 | 74640100 | Gewindelasche | Thread shackle |
| 36 | 5702382 | Senkschraube | Countersunk screw |

| Pos. Det. | Teile Nr. Part No. | Benennung | Denomination |
|-----------|--------------------|---------------------------|---------------------------|
| 37 | 79210372 | Buchse | Bushing |
| 38 | 74640221 | Drehfeder | Torsion spring |
| 39 | 74640091 | Kloben kpl. (mit Pos. 40) | Block cpl. (with pos. 40) |
| 40 | 7441968 | Zyl.-Schraube | Cyl. head screw |
| 41 | 74640119 | Führungsstück | Guide piece |
| 42 | 219353 | Linsenschraube | Fillister head screw |
| 43 | 531460 | Scheibe | Washer |
| 44 | 74640027 | Reflexfolie | Reflex foil |
| 45 | 74640118a | Hülse | Sleeve |
| 46 | 7928065 | Scheibe | Washer |
| 47 | 7928802 | Blende | Diaphragm insert |
| 48 | 7928834 | Leiste | Reglet |
| 49 | 00290227200 | Gummistreifen | Rubber strip |
| 50 | 74640006 | Transportstreifen | Transport strip |
| 51 | 7928010 | Transportstreifen | Transport strip |

| Pos. Det. | Teile Nr. Part No. | Benennung | Denomination |
|-----------|--------------------|-----------|--------------|
|-----------|--------------------|-----------|--------------|

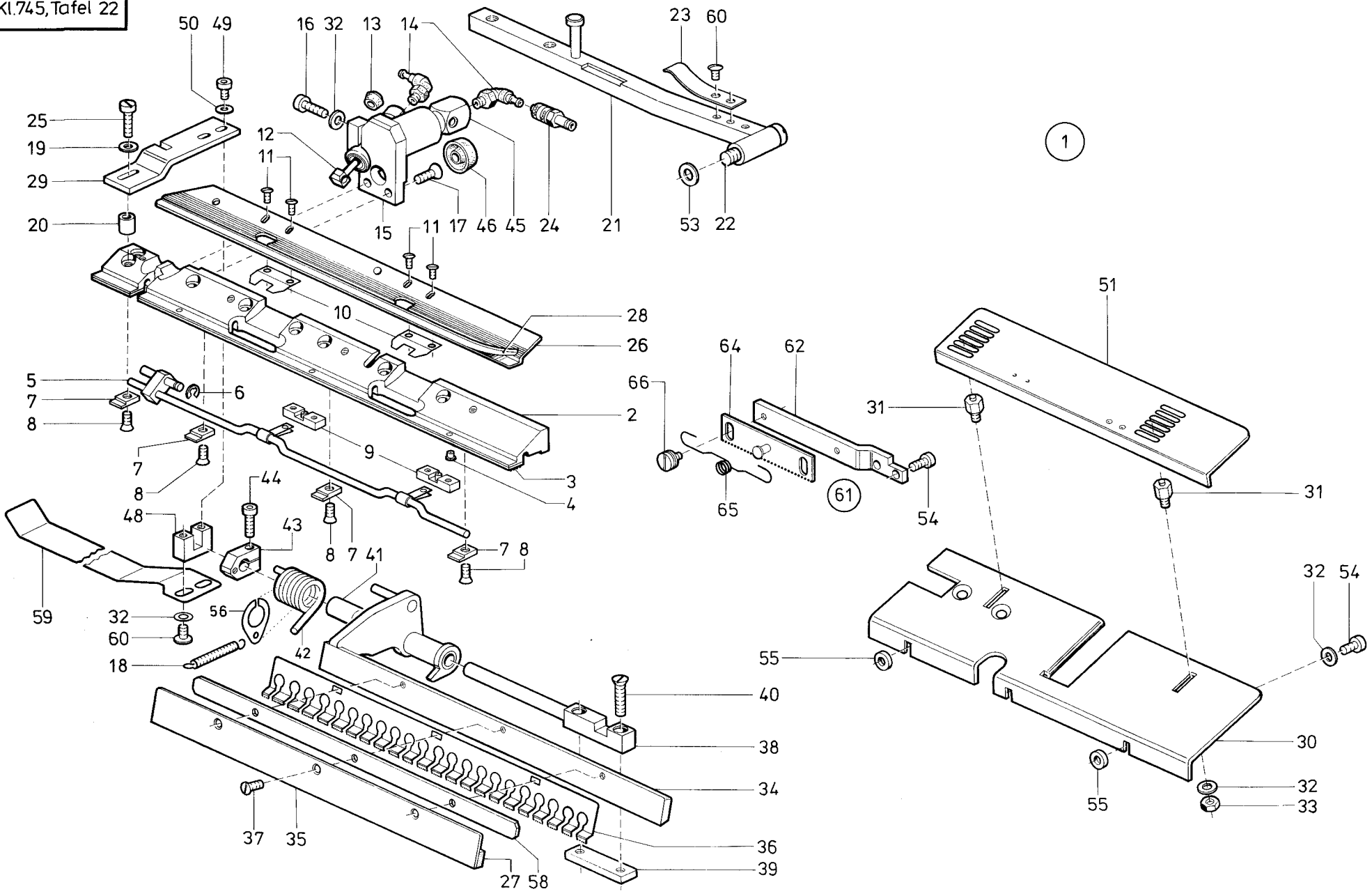




| Pos. Det. | Teile Nr. Part No. | Benennung | Denomination |
|-----------|--------------------|---------------------------------------------------------------------------------------|----------------------------------------------------------------------------------|
| 1 | 79210901 | Klammereinrichtung „K 16“ kpl. für 220 mm (best. aus Pos. 2 und auf Tafel 22, Pos. 1) | Clamp equipment „K 16“ cpl. for 220 mm (cons. of pos. 2 and on table 22, pos. 1) |
| 2 | 79210903 | Klammer links, kpl. (best. aus Pos. 3 bis 64) | Clamp, left hand cpl. (cons. of pos. 3 up to 64) |
| 3 | 71812786 | Rohrniet | Pipe rivet |
| 4 | 79210021 | Kurbel | Crank |
| 5 | 10019228 | Sicher.-Scheibe | Lock washer |
| 6 | 74640014 | Platte | Plate |
| 7 | 74255716 | Senkschraube | Countersunk screw |
| 8 | 74640017 | Führungsbock | Guide block |
| 9 | 74640021 | Blattfeder | Leaf spring |
| 10 | 911339 | Linsenschraube | Fillister head screw |
| 11 | 79210061 | Zylinder kpl. (mit Pos. 51) | Cylinder cpl. (with pos. 51) |
| 12 | 746768 | Stecknippel | Plug nipple |
| 13 | 79210521 | Klemmstück kpl. (mit Pos. 14 und 32) | Clamping piece cpl. (with pos. 14 and 32) |
| 14 | 74420778 | Zyl.-Schraube | Cyl. head screw |
| 15 | 271169 | Senkschraube | Countersunk screw |
| 16 | 216152 | Zugfeder | Draw spring |
| 17 | 531460 | Scheibe | Washer |
| 18 | 74640118a | Hülse | Sleeve |
| 19 | 21646 | Zyl.-Schraube | Cyl. head screw |
| 20 | 79210951 | Klammerhalter | Clamp holder |
| 21 | 7928063 | Blattfeder | Leaf spring |
| 22 | 10019130 | Linsenschraube | Fillister head screw |
| 23 | 7928066 | Ansatzschraube | Shoulder screw |
| 24 | 74640401 | Faltblech kpl. (mit Pos. 26) | Fold plate cpl. (with pos. 26) |
| 25 | 00290227200 | Gummistreifen | Rubber strip |
| 26 | 74640027 | Reflexfolie | Reflex foil |
| 27 | 7928406 | Platte | Plate |
| 28 | 271189 | Zyl.-Schraube | Cyl. head screw |
| 29 | 531460 | Scheibe | Washer |
| 30 | 79210916 | Auflage | Supporting plate |
| 31 | 74640074 | Distanzstück | Distance piece |
| 32 | 5691895 | Scheibe | Washer |
| 33 | 202704 | 6kt.-Mutter | Hexagonal nut |
| 34 | 79210917 | Anschlag | Stop |
| 35 | 7928835 | Leiste kpl. (mit Pos. 25) | Reglet cpl. (with pos. 25) |
| 36 | 74640419 | Kralle | Claw |

| Pos. Det. | Teile Nr. Part No. | Benennung | Denomination |
|-----------|--------------------|-------------------------------------------------|---------------------------------------------------|
| 37 | 551987 | Senkschraube | Countersunk screw |
| 38 | 74640098 | Lagerbolzen | Bearing bolt |
| 39 | 74640100 | Gewindelasche | Threaded shackle |
| 40 | 5702382 | Senkschraube | Countersunk screw |
| 41 | 79210372 | Buchse | Bushing |
| 42 | 74640221 | Drehfeder | Torsion spring |
| 43 | 74640091 | Kloben kpl. (mit Pos. 44) | Block cpl. (with pos. 44) |
| 44 | 7441968 | Zyl.-Schraube | Cyl. head screw |
| 45 | 74640119 | Führungsstück | Guide piece |
| 46 | 79210331 | Kolbenstange | Piston rod |
| 47 | 2462566 | Lippenring | Lip seal |
| 48 | 79210373 | Lasche | Shackle |
| 49 | 79210905 | Druckleiste kpl. (mit Pos. 3 und 50) | Pressure border cpl. (with pos. 3 and 50) |
| 50 | 74640398 | Transportstreifen, lang | Transport strip, long |
| | 7928010 | Transportstreifen, kurz | Transport strip, short |
| 51 | 246348 | Lippenring | Lip seal |
| 52 | 79210921 | Pattenklemme | Flap clamping |
| 53 | 7928065 | Scheibe | Washer |
| 55 | 74640379 | Kupplungsstecker | Coupler plug |
| 56 | 10019243 | Scheibe | Washer |
| 57 | 271125 | Linsenschraube | Fillister head screw |
| 58 | 7928834 | Leiste | Reglet |
| 59 | 7928931 | Federblech | Spring sheet |
| 60 | 74640061 | Transportleiste kpl. (best. aus Pos. 61 bis 64) | Transport reglet cpl. (cons. of pos. 61 up to 64) |
| 61 | 74640062 | Haltewinkel | Base angle |
| 62 | 74640063 | Transportleiste | Transport reglet |
| 63 | 74640067 | Drehfeder | Torsion spring |
| 64 | 74640066 | Ansatzschraube | Shoulder screw |

| Pos. Det. | Teile Nr. Part No. | Benennung | Denomination |
|-----------|--------------------|-----------|--------------|
|-----------|--------------------|-----------|--------------|

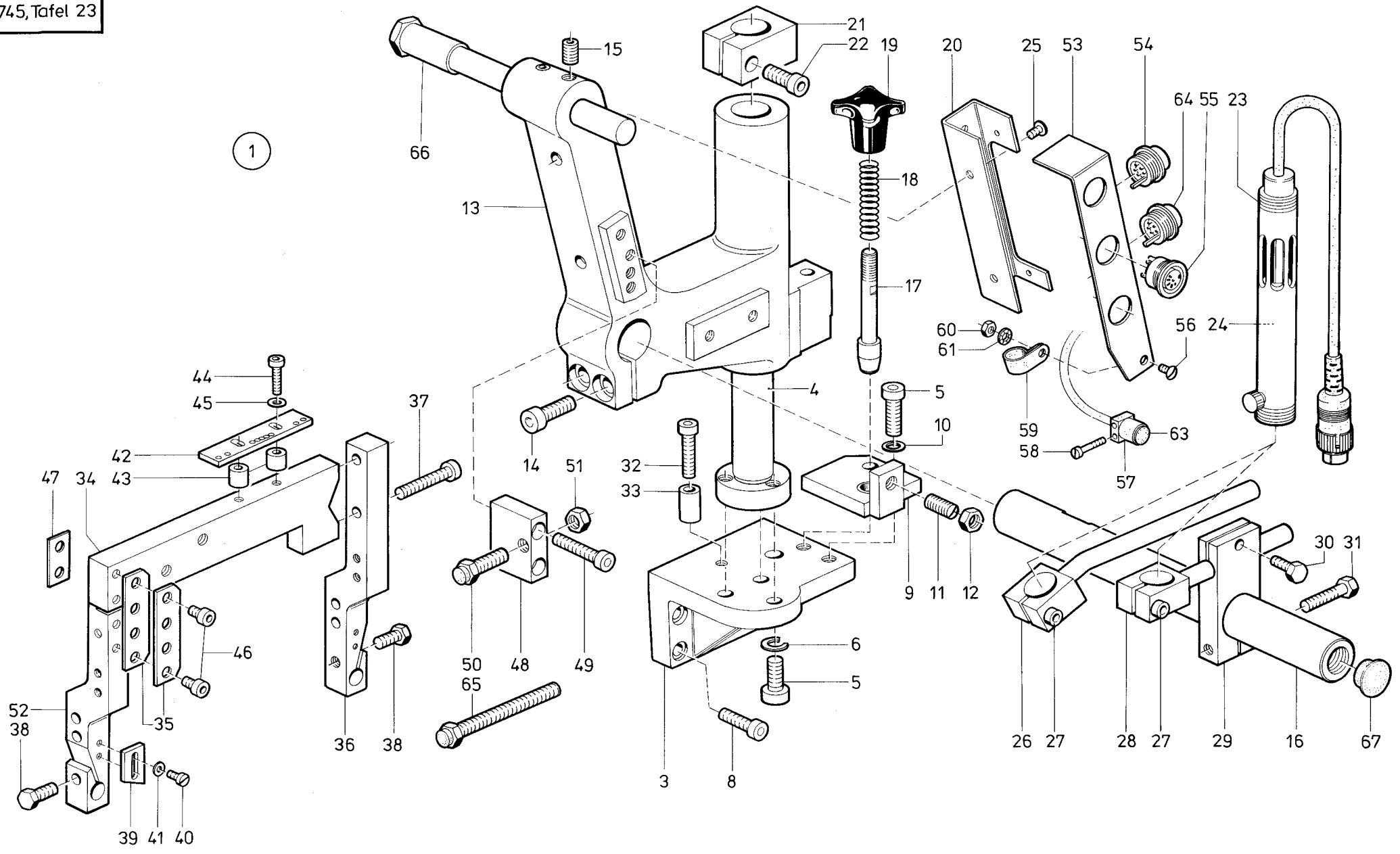


| Pos. Det. | Teile Nr. Part No. | Benennung | Denomination |
|-----------|--------------------|-----------------------------------------------------------|---------------------------------------------------------------|
| 1 | 79211003 | Klammer rechts, kpl. für 220 mm (best. aus Pos. 2 bis 66) | Clamp, right hand, cpl. for 220 mm (cons. of pos. 2 up to 66) |
| 2 | 79211005 | Druckleiste kpl. (mit Pos. 3 und 4) | Pressure border cpl. (with pos. 3 and 4) |
| 3 | 74640398 | Transportstreifen, lang | Transport strip, long |
| | 7928010 | Transportstreifen, kurz | Transport strip, short |
| 4 | 71812786 | Rohrniet | Pipe rivet |
| 5 | 79210171 | Kurbel | Crank |
| 6 | 10019228 | Sicher.-Scheibe | Lock washer |
| 7 | 74640014 | Platte | Plate |
| 8 | 74255716 | Senkschraube | Countersunk screw |
| 9 | 74640017 | Führungsbock | Guide |
| 10 | 74640021 | Blattfeder | Leaf spring |
| 11 | 911339 | Linsenschraube | Fillister head screw |
| 12 | 79210061 | Zylinder kpl. (mit Pos. 13) | Cylinder cpl. (with pos. 13) |
| 13 | 21154075 | Lippenring | Lip seal |
| 14 | 746768 | Stecknippel | Plug nipple |
| 15 | 79210321 | Klemmstück kpl. (mit Pos. 16 und 32) | Clamping piece cpl. (with pos. 16 and 32) |
| 16 | 74420778 | Zyl.-Schraube | Cyl. head screw |
| 17 | 271169 | Senkschraube | Countersunk screw |
| 18 | 216152 | Zugfeder | Draw spring |
| 19 | 531460 | Scheibe | Washer |
| 20 | 74640118a | Hülse | Sleeve |
| 21 | 79211051 | Klammerhalter | Clamp holder |
| 22 | 7928066 | Ansatzschraube | Shoulder screw |
| 23 | 7928163 | Blattfeder | Leaf spring |
| 24 | 74640379 | Kupplungsstecker | Coupler plug |
| 25 | 21646 | Zyl.-Schraube | Cyl. head screw |
| 26 | 74640446 | Faltblech kpl. (mit Pos. 28) | Fold plate cpl. (with pos. 28) |
| 27 | 00290227200 | Gummistreifen | Rubber strip |
| 28 | 74640027 | Reflexfolie | Reflex foil |
| 29 | 7928211 | Platte | Plate |
| 30 | 79211016 | Auflage | Supporting plate |
| 31 | 74640074 | Distanzstück | Distance piece |
| 32 | 5691895 | Scheibe | Washer |
| 33 | 202704 | 6kt.-Mutter | Hexagonal nut |
| 34 | 79211021 | Pattenklemme | Flap clamping |
| 35 | 7928835 | Leiste kpl. (mit Pos. 27) | Reglet cpl. (with pos. 27) |
| 36 | 74640419 | Kralle | Claw |
| 37 | 551987 | Senkschraube | Countersunk screw |

| Pos. Det. | Teile Nr. Part No. | Benennung | Denomination |
|-----------|--------------------|------------------------------------------------------|------------------------------------------------------|
| 38 | 74640098 | Lagerbolzen | Bearing bolt |
| 39 | 74640100 | Gewindelasche | Threaded shackle |
| 40 | 5702382 | Senkschraube | Countersunk screw |
| 41 | 79210372 | Buchse | Bushing |
| 42 | 74640325 | Drehfeder | Torsion spring |
| 43 | 74640091 | Kloben kpl. (mit Pos. 44) | Block cpl. (with pos. 44) |
| 44 | 7441968 | Zyl.-Schraube | Cyl. head screw |
| 45 | 79210331 | Kolbenstange | Piston rod |
| 46 | 2462566 | Lippenring | Lip seal |
| 48 | 74640119 | Führungsstück | Guide piece |
| 49 | 271189 | Zyl.-Schraube | Cyl. head screw |
| 50 | 531460 | Scheibe | Washer |
| 51 | 74611017 | Anschlag | Stop |
| 53 | 7928065 | Scheibe | Washer |
| 54 | 271125 | Linsenschraube | Fillister head screw |
| 55 | 10019243 | Scheibe | Washer |
| 56 | 79210373 | Lasche | Shackle |
| 58 | 7928834 | Leiste | Reglet |
| 59 | 7929039 | Federblech | Leaf-spring sheet |
| 60 | 10019130 | Linsenschraube | Fillister head screw |
| 61 | 74640201 | Transportleiste kpl. (best. aus Pos. 62, 64, 65, 66) | Transport reglet cpl. (cons. of pos. 62, 64, 65, 66) |
| 62 | 74640202 | Haltewinkel | Base angle |
| 64 | 74640203 | Transportleiste | Transport reglet |
| 65 | 74640067 | Drehfeder | Torsion spring |
| 66 | 74640066 | Ansatzschraube | Shoulder screw |

| Pos. Det. | Teile Nr. Part No. | Benennung | Denomination |
|-----------|--------------------|-----------|--------------|
|-----------|--------------------|-----------|--------------|

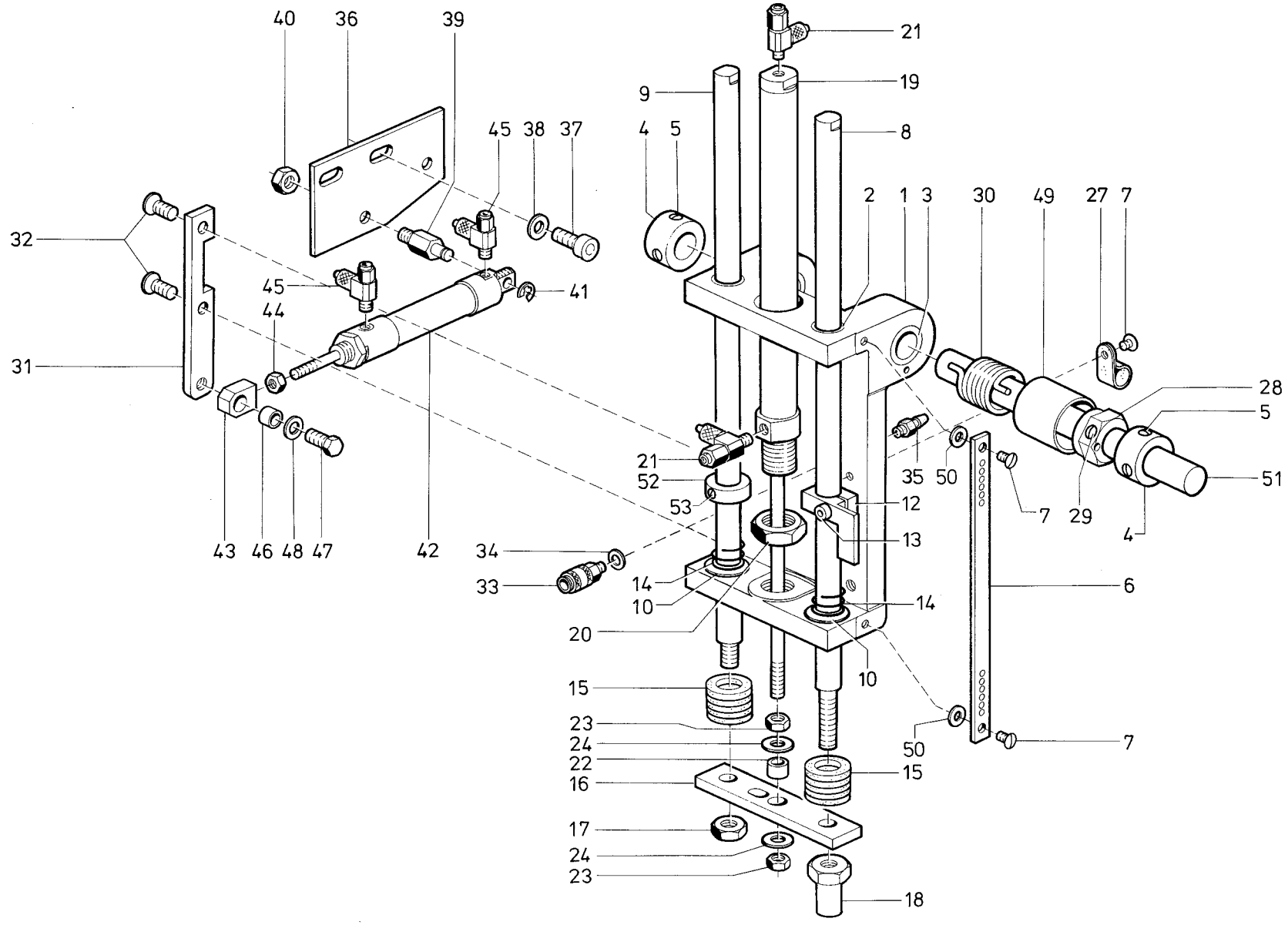
1



| Pos. Det. | Teile Nr. Part No. | Benennung | Denomination |
|-----------|--------------------|------------------------------------------------------------------------------------------|--------------------------------------------------------------------------------------------|
| | | Einlegestation | Loading station |
| 1 | 79320502 | Einlegestation kpl. (best. aus Pos. 3 bis 67, Tafel 24, Tafel 25 und Tafel 25a) | Loading station cpl. (cons. of pos. 3 up to 67, Table 24, Table 25 and Table 25a) |
| 3 | 79320092 | Lagerbock | Bearing block |
| 4 | 74660807 | Achse | Axle |
| 5 | 7425098 | Zyl.-Schraube | Cyl. head screw |
| 6 | 7441017 | Federring | Spring ring |
| 8 | 5701594 | Zyl.-Schraube | Cyl. head screw |
| 9 | 79320101 | Grundplatte | Base plate |
| 10 | 72043 | Scheibe | Washer |
| 11 | 558769 | Gewindestift | Threaded stud |
| 12 | 231454 | 6kt.-Mutter | Hexagonal nut |
| 13 | 79320122 | Ständer | Stay |
| 14 | 570522 | Zyl.-Schraube | Cyl. head screw |
| 15 | 211354 | Gewindestift | Threaded stud |
| 16 | 79320126 | Achse | Axle |
| 17 | 79320128 | Bolzen | Bolt |
| 18 | 74611277 | Druckfeder | Pressure spring |
| 19 | 7421708 | Kreuzgriff | Star grip |
| 20 | 79320135 | Gehäuse | Housing |
| 21 | 74660819 | Klemmstück | Clamping piece |
| 22 | 74421026 | Zyl.-Schraube | Cyl. head screw |
| 23 | 798281502 | Markierungsleuchte kpl. (mit Pos. 24) | Mark. lamp cpl. (with pos. 24) |
| 24 | 798281510 | Glühlampe | Filament bulb |
| 25 | 10019130 | Linsenschraube | Fillister head screw |
| 26 | 79321428 | Halter kpl. (mit Pos. 27) | Holder cpl. (with pos. 27) |
| 27 | 7422036 | Zyl.-Schraube | Cyl. head screw |
| 28 | 79320237 | Halter kpl. (mit Pos. 27) | Holder cpl. (with pos. 27) |
| 29 | 79320222 | Halter kpl. (mit Pos. 30 und 31) | Holder cpl. (with pos. 30 and 31) |
| 30 | 7441658 | 6kt.-Schraube | Hexagonal screw |
| 31 | TG 13/42 | 6kt.-Schraube | Hexagonal screw |
| 32 | 5701594 | Zyl.-Schraube | Cyl. head screw |
| 33 | 74611858 | Buchse | Bush |
| 34 | 79320545 | Halter | Holder |
| 35 | 79320575 | Blattfeder | Leaf spring |
| 36 | 79320551 | Halter | Holder |
| 37 | 558312 | Zyl.-Schraube | Cyl. head screw |
| 38 | 7441658 | 6kt.-Schraube | Hexagonal screw |

| Pos. Det. | Teile Nr. Part No. | Benennung | Denomination |
|-----------|--------------------|------------------------------------------------|-----------------------------------------------------|
| 39 | 74660874 | Anschlag | Stop |
| 40 | 237624 | Zyl.-Schraube | Cyl. head screw |
| 41 | 1005233 | Scheibe | Washer |
| 42 | 79320561 | Leiste | Reglet |
| 43 | 74660651 | Buchse | Bush |
| 44 | 74420778 | Zyl.-Schraube | Cyl. head screw |
| 45 | 798795 | Scheibe | Washer |
| 46 | 746879 | Zyl.-Schraube | Cyl. head screw |
| 47 | 79320577 | Platte | Plate |
| 48 | 79320538 | Anschlagblock | Stop block |
| 49 | 7441694 | Zyl.-Schraube | Cyl. head screw |
| 50 | 7461416a | Anschlagschraube | Buffer screw |
| 51 | 231454 | 6kt.-Mutter | Hexagonal nut |
| 52 | 79320572 | Halter | Holder |
| 53 | 798147001 | Gehäuse | Housing |
| 54 | 798480826 | Stecker | Plug-in connector |
| 55 | Z 151241 | Einbaubuchse | Socket |
| 56 | 219353 | Linsenschraube | Fillister head screw |
| 57 | 798424203 | Klemmstück | Clamping piece |
| 58 | 10019162 | Zyl.-Schraube | Cyl. head screw |
| 59 | 93311424 | Schelle | Clip |
| 60 | 202704 | 6kt.-Mutter | Hexagonal nut |
| 61 | 5691895 | Scheibe | Washer |
| 63 | 798424202 | Induktivgeber | Proximity switch |
| 64 | 74428939 | Stecker | Plug-in connector |
| 65 | 746822 | Anschlagschraube (Beipackteil) | Buffer screw (is included in the Accessories) |
| 66 | 79320140 | Achse | Axle |
| 67 | 7441155 | Verschlusskappe | Cap |
| | 7943001 | 3. Markierungs- leuchte (ohne Abb.) | Third Mark. lamp (not illustr.) |

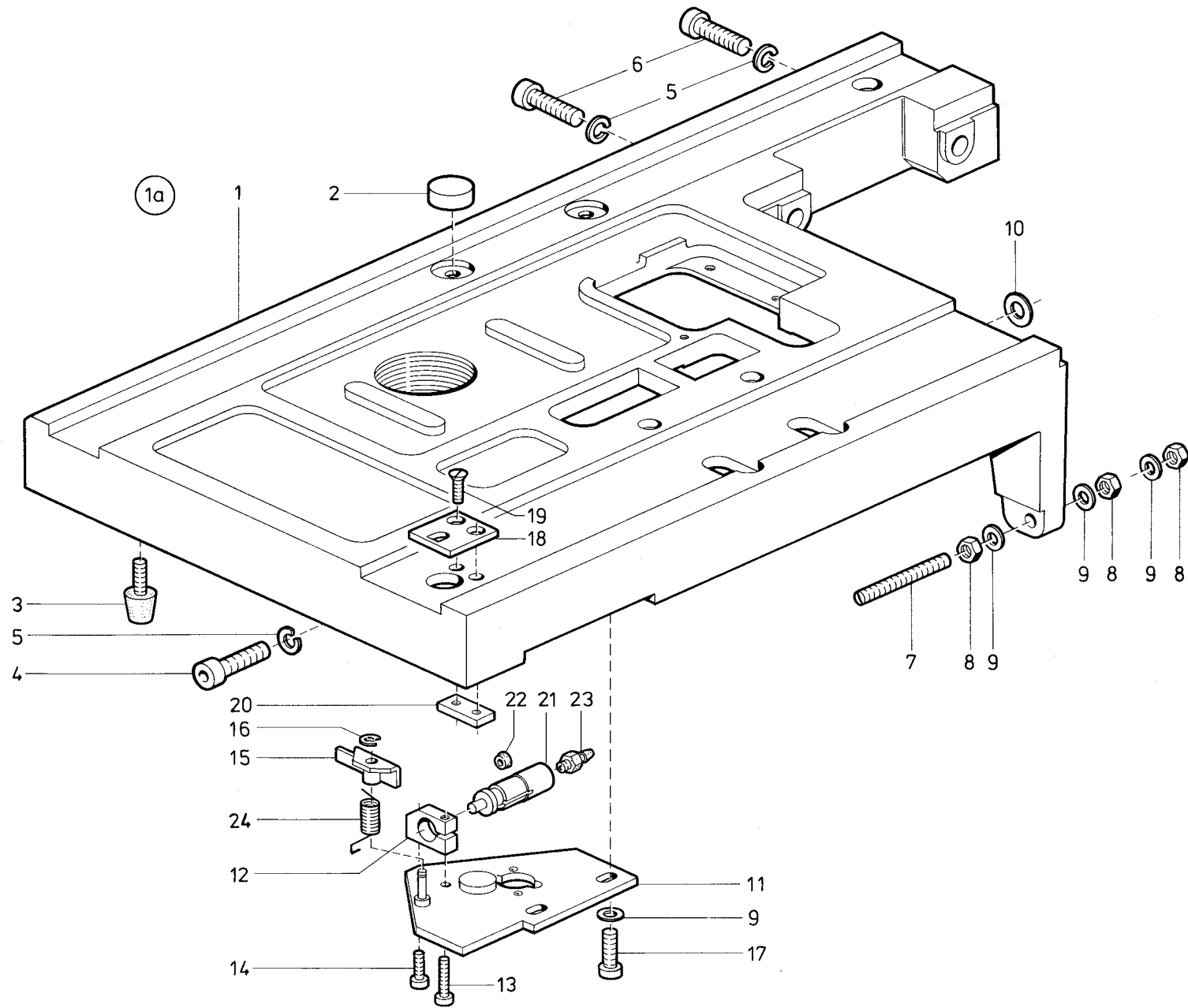
| Pos. Det. | Teile Nr. Part No. | Benennung | Denomination |
|-----------|--------------------|-----------|--------------|
|-----------|--------------------|-----------|--------------|



| Pos. Det. | Teile Nr. Part No. | Benennung | Denomination |
|-----------|--------------------|----------------------------------------|--------------------------------------------|
| | | Einlegestation | Loading station |
| 1 | 79320144 | Schwinge kpl. (mit Pos. 2 und 3) | Link cpl. (with pos. 2 and 3) |
| 2 | 746829 | Sinterbuchse | Sintered bush |
| 3 | 79320147 | Sinterbuchse | Sintered bush |
| 4 | 212113 | Stellring kpl. (mit Pos. 5) | Set collar cpl. (with pos. 5) |
| 5 | 223237 | Gewindestift | Threaded stud |
| 6 | 79320151 | Leiste | Reglet |
| 7 | 10019130 | Linsenschraube | Fillister head screw |
| 8 | 79320171 | Führungsstange | Guide rod |
| 9 | 79320172 | Führungsstange | Guide rod |
| 10 | 21127 | Tellerfeder | Cup spring |
| 12 | 79320175 | Klemmstück | Clamping piece |
| 13 | 74420778 | Zyl.-Schraube | Cyl. head screw |
| 14 | 79320178 | Druckfeder | Pressure spring |
| 15 | 7461495 | Scheibe | Washer |
| 16 | 79320183 | Leiste | Reglet |
| 17 | 231454 | 6kt.-Mutter | Hexagonal nut |
| 18 | 79320186 | Aufnahmebolzen | Special nut |
| 19 | 79320191 | Zylinder | Cylinder |
| 20 | 5571842 | 6kt.-Mutter | Hexagonal nut |
| 21 | 797412 | Drosselventil | Throttle valve |
| 22 | 2191013 | Buchse | Bush |
| 23 | 2522389 | 6kt.-Mutter | Hexagonal nut |
| 24 | 557263 | Scheibe | Washer |
| 27 | 93311424 | Schelle | Clip |
| 28 | 74320506 | Spannring kpl. (mit Pos. 29 und 49) | Tension ring cpl. (with pos. 29 and 49) |
| 29 | 223237 | Gewindestift | Threaded stud |
| 30 | 74680211 | Drehfeder | Torsion spring |
| 31 | 79320513 | Hebel | Lever |
| 32 | 558305 | Senkschraube | Countersunk screw |
| 33 | 74640378 | Kupplungsdose | Coupling socket |
| 34 | 74242167 | Dichtung | Gasket |
| 35 | 7972016 | Schlauchtülle | Hose nozzle |
| 36 | 79320521 | Platte | Plate |
| 37 | 556362 | Zyl.-Schraube | Cyl. head screw |
| 38 | 557263 | Scheibe | Washer |
| 39 | 79320526 | Bolzen | Bolt |
| 40 | MG 43/409 | 6kt.-Mutter | Hexagonal nut |
| 41 | 570138 | Sicher.-Scheibe | Lock washer |
| 42 | 74221996 | Zylinder | Cylinder |
| 43 | 74660848 | Kloben | Block |

| Pos. Det. | Teile Nr. Part No. | Benennung | Denomination |
|-----------|--------------------|---------------------------------|-----------------------------------|
| 44 | MG 8/7d | 6kt.-Mutter | Hexagonal nut |
| 45 | 797412 | Drosselventil | Throttle valve |
| 46 | 79320535 | Buchse | Bush |
| 47 | 7441658 | 6kt.-Schraube | Hexagonal screw |
| 48 | 556263 | Scheibe | Washer |
| 49 | 79320509 | Hülse | Sleeve |
| 50 | 024275 | Scheibe | Washer |
| 51 | 79320141 | Achse | Axle |
| 52 | 748294 | Stellring kpl. (mit Pos. 53) | Set collar cpl. (with pos. 53) |
| 53 | 147203 | Gewindestift | Threaded stud |

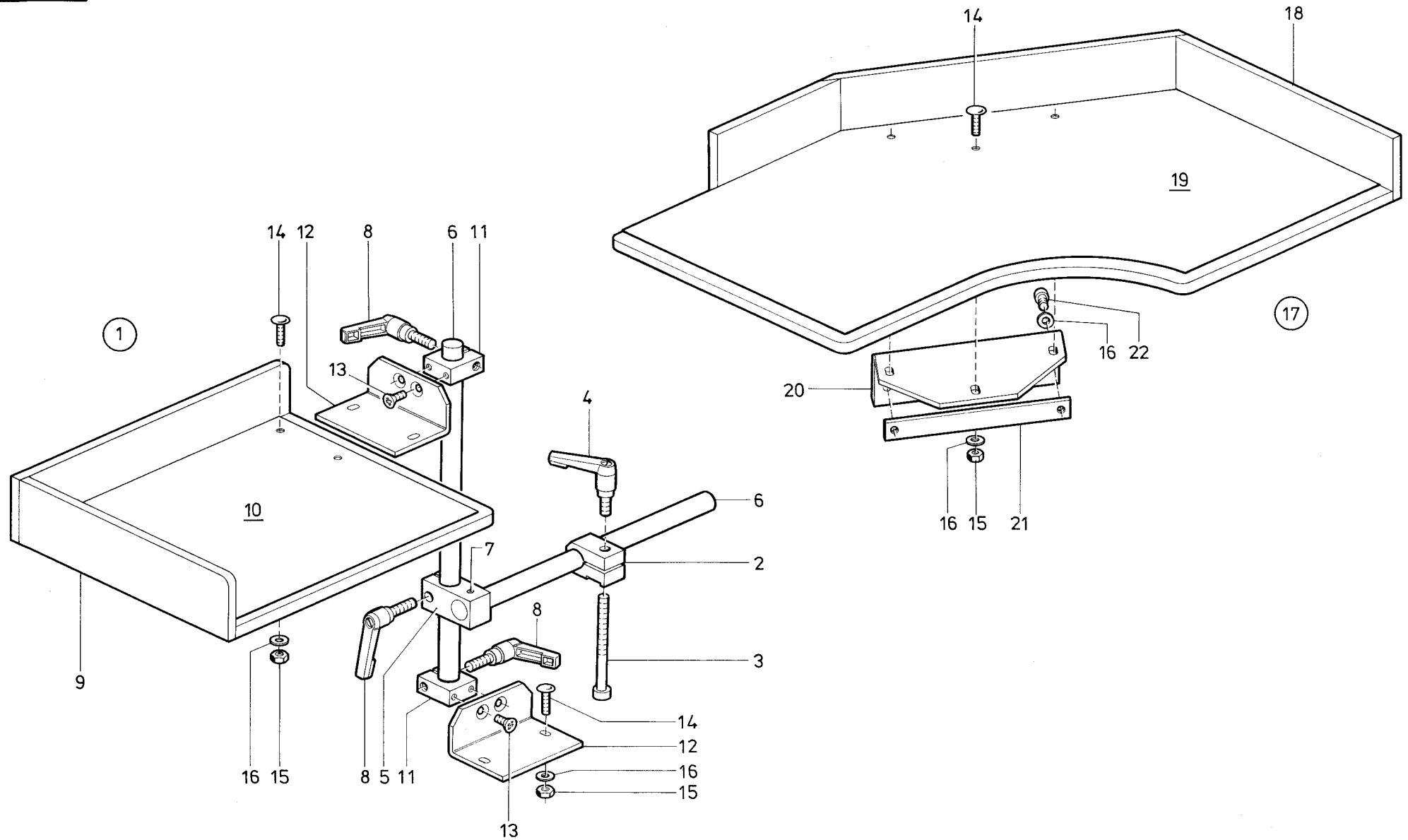
| Pos. Det. | Teile Nr. Part No. | Benennung | Denomination |
|-----------|--------------------|-----------|--------------|
|-----------|--------------------|-----------|--------------|

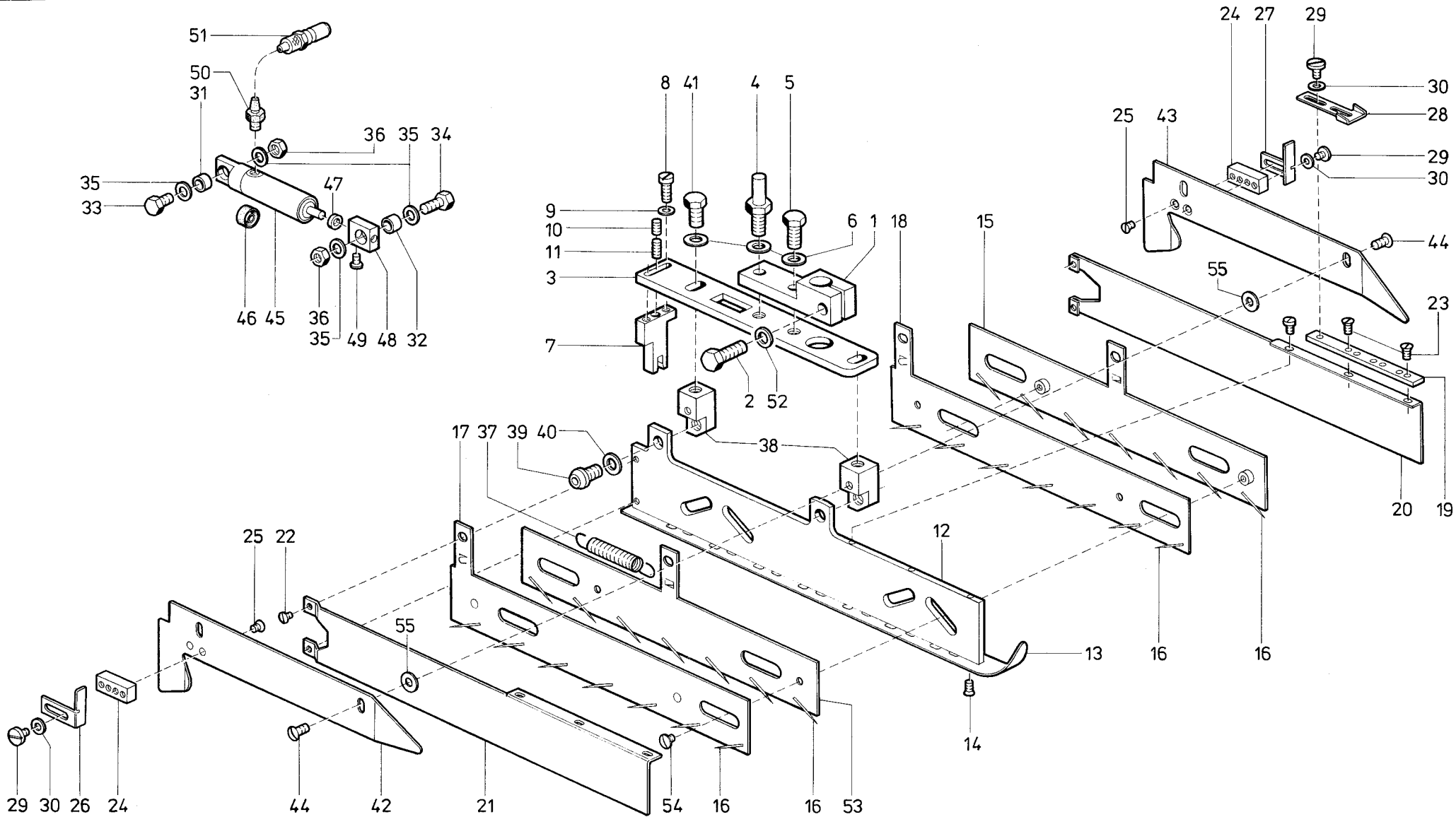


| Pos. Det. | TeileNr. Part No. | Benennung | Denomination |
|-----------|-------------------|---------------------------------------------------------|------------------------------------------------------------|
| | | Einlegestation | Loading station |
| 1 a | 79320005 | Tisch kpl. (best. aus Pos. 1, 2, 3, 9, 11 bis 24) | Support cpl. (cons. of pos. 1, 2, 3, 9, 11 up to 24) |
| 1 | 79320006 | Tisch | Support |
| 2 | 7441304 | Magnet | Magnet |
| 3 | 7441339 | Gummipuffer | Rubber buffer |
| 4 | 74421026 | Zyl.-Schraube | Cyl. head screw |
| 5 | 725520b | Federring | Spring ring |
| 6 | 74420766 | Zyl.-Schraube | Cyl. head screw |
| 7 | 74242889 | Gewindestift | Threaded stud |
| 8 | 216660 | 6kt.-Mutter | Hexagonal nut |
| 9 | 557263 | Scheibe | Washer |
| 10 | 420362 | Federscheibe | Spring washer |
| 11 | 79320022 | Platte | Plate |
| 12 | 79320029 | Klemmstück | Clamping piece |
| 13 | 7461212 | Zyl.-Schraube | Cyl. head screw |
| 14 | 7441968 | Zyl.-Schraube | Cyl. head screw |
| 15 | 79320033 | Hebel | Lever |
| 16 | 255129 | Sicher.-Scheibe | Lock washer |
| 17 | 7425374 | Zyl.-Schraube | Cyl. head screw |
| 18 | 79320055 | Platte | Plate |
| 19 | 90297 | Senkschraube | Countersunk screw |
| 20 | 5701228 | Gewindelasche | Threaded shackle |
| 21 | 246968 | Zylinder kpl. (mit Pos. 22) | Cylinder cpl. (with pos. 22) |
| 22 | 55614030 | Lippenring | Lip seal |
| 23 | 7972016 | Schlauchtülle | Hose nozzle |
| 24 | 79320036 | Drehfeder | Torsion spring |

| Pos. Det. | TeileNr. Part No. | Benennung | Denomination |
|-----------|-------------------|-----------|--------------|
|-----------|-------------------|-----------|--------------|

| Pos. Det. | TeileNr. Part No. | Benennung | Denomination |
|-----------|-------------------|-----------|--------------|
|-----------|-------------------|-----------|--------------|

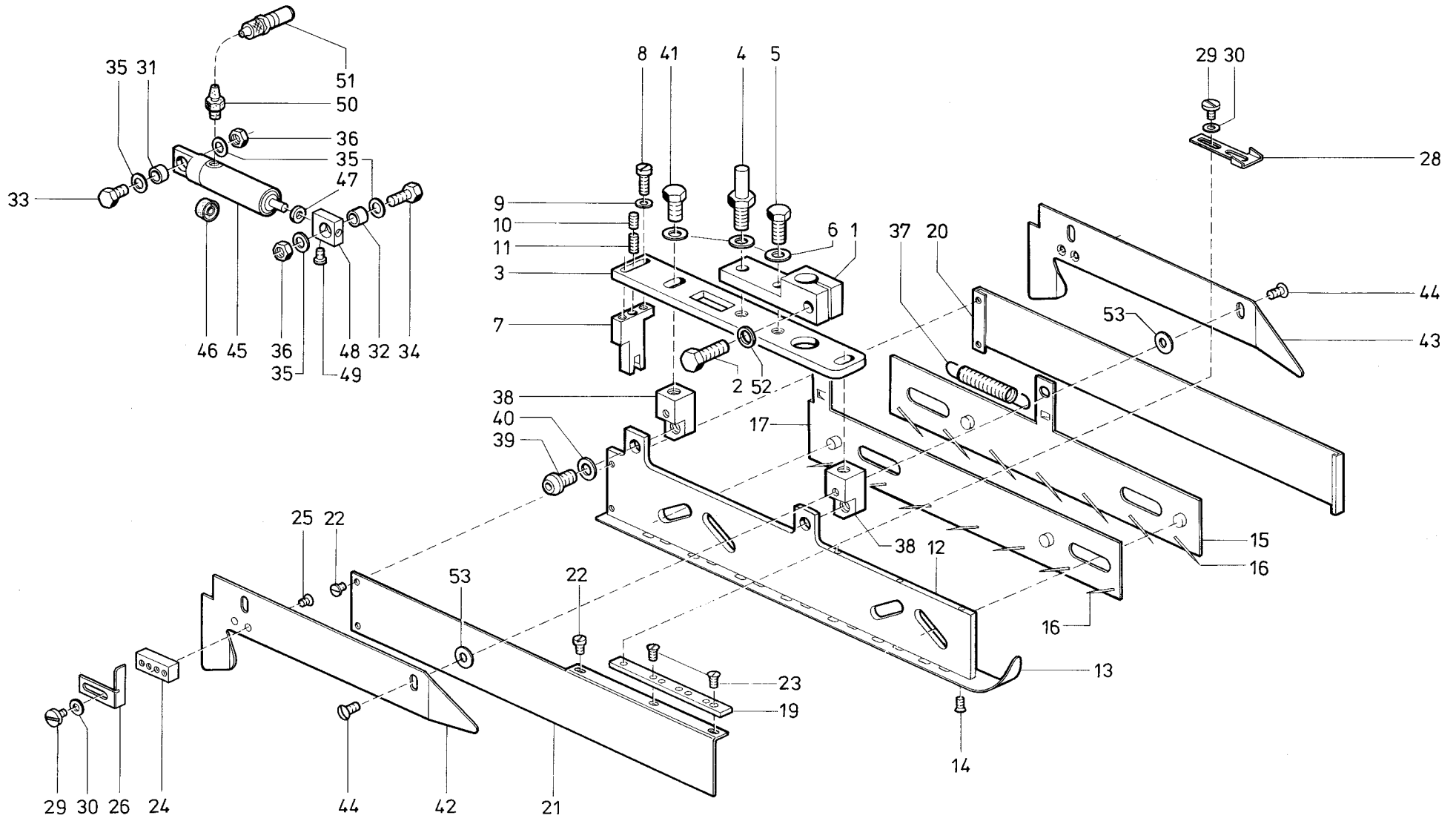


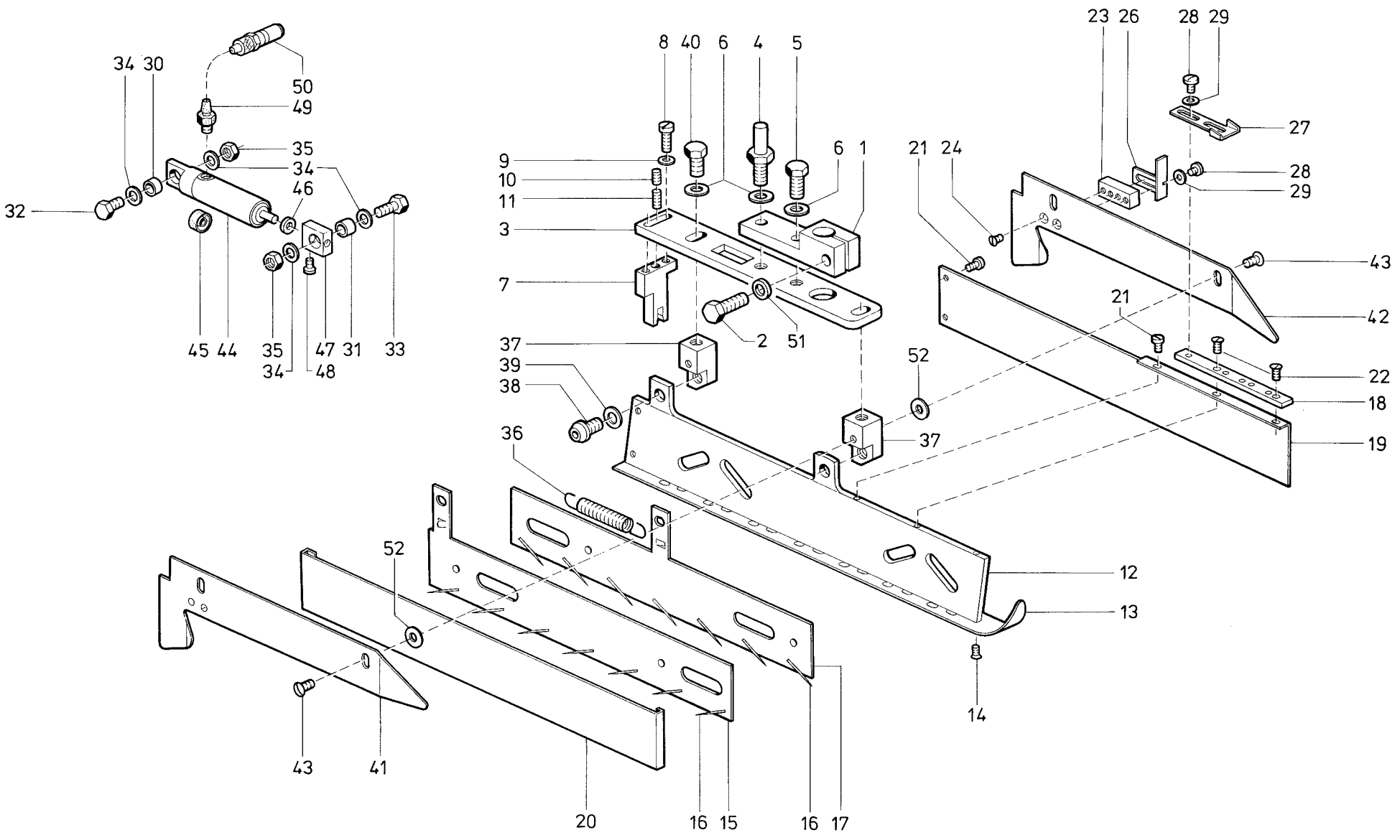


| Pos. Det. | Teile Nr. Part No. | Benennung | Denomination |
|-----------|--------------------|-------------------------------------------|-----------------------------------------|
| | | Greiffaltstempel kpl. | Catch-folder cpl. |
| | 79325453 | für Stempereinrichtung S26, S27 | for folder equipment S26, S27 |
| | 79325413 | für Stempereinrichtung S24 | for folder equipment S24 |
| | 79325493 | für Stempereinrichtung S30, S31 | for folder equipment S30, S31 |
| | 79325543 | für Stempereinrichtung S35 | for folder equipment S35 |
| | 79325293 | für Stempereinrichtung S13 | for folder equipment S13 |
| | 79325303 | für Stempereinrichtung S16, S17 | for folder equipment S16, S17 |
| | 79325363 | für Stempereinrichtung S20, S21 | for folder equipment S20, S21 |
| | 79325433 | für Stempereinrichtung S25 | for folder equipment S25 |
| 1 | 79325004 | Halter | Holder |
| 2 | 719127 | 6kt.-Schraube | Hexagonal screw |
| 3 | 79325007 | Platte | Plate |
| 4 | 79325008 | Bolzen | Bolt |
| 5 | P 121110 | 6kt.-Schraube | Hexagonal screw |
| 6 | 557263 | Scheibe | Washer |
| 7 | 74690308 | Anschlag | Stop |
| 8 | 216120 | Zyl.-Schraube | Cyl. head screw |
| 9 | 5691895 | Scheibe | Washer |
| 10 | 216589 | Gewindestift | Threaded stud |
| 11 | 74690312 | Gewindestift | Threaded stud |
| 12 | 79325018 | Faltleiste | Folder reglet |
| 13 | 79325455 | Sohle, für S26, S27 | Plain base, for S26, S27 |
| | 79325495 | Sohle, für S30, S31 | Plain base, for S30, S31 |
| | 79325545 | Sohle, für S35 | Plain base, for S35 |
| | 79325435 | Sohle, für S25 | Plain base, for S25 |
| | 79325295 | Sohle, für S13 | Plain base, for S13 |
| | 79325305 | Sohle, für S16, S17 | Plain base, for S16, S17 |
| | 79325365 | Sohle, für S20, S21 | Plain base, for S20, S21 |
| | 79325415 | Sohle, für S24 | Plain base, for S24 |
| 14 | 9335735 | Senkschraube | Countersunk screw |
| 15 | 79325028 | Nadelleiste (außen rechts) | Needle reglet (outside right) |
| 16 | 74650517 | Nadel | Needle |
| 17 | 79325030 | Nadelleiste (außen links) | Needle reglet (outside left) |

| Pos. Det. | Teile Nr. Part No. | Benennung | Denomination |
|-----------|--------------------|---------------------------------------|-----------------------------------------|
| 18 | 79325026 | Nadelleiste (innen rechts) | Needle reglet (inside right) |
| 19 | 79325036 | Leiste | Reglet |
| 20 | 79325037a | Schutzblech, rechts | Guard plate, right hand |
| 21 | 79325038a | Schutzblech, links | Guard plate, left hand |
| 22 | 9024102 | Zyl.-Schraube | Cyl. head screw |
| 23 | 211268 | Senkschraube | Countersunk screw |
| 24 | 79325041 | Gewindeplatte | Threaded plate |
| 25 | 902707 | Senkschraube | Countersunk screw |
| 26 | 79325044 | Anschlag | Stop |
| 27 | 79325045 | Anschlag | Stop |
| 28 | 79325046 | Anschlag | Stop |
| 29 | 216508 | Zyl.-Schraube | Cyl. head screw |
| 30 | 570975 | Scheibe | Washer |
| 31 | 74650562 | Buchse | Bushing |
| 32 | 74650563 | Buchse | Bushing |
| 33 | 55881 | 6kt.-Schraube | Hexagonal screw |
| 34 | 74650985 | 6kt.-Schraube | Hexagonal screw |
| 35 | 902514 | Scheibe | Washer |
| 36 | 237202 | 6kt.-Mutter | Hexagonal nut |
| 37 | 74650989 | Zugfeder | Draw spring |
| 38 | 74690365 | Kloben | Block |
| 39 | 74690366 | Zyl.-Schraube | Cyl. head screw |
| 40 | 5511246 | Scheibe | Washer |
| 41 | 9424586 | 6kt.-Schraube | Hexagonal screw |
| 42 | 79325068 | Leitblech | Guide plate |
| 43 | 79325069 | Leitblech | Guide plate |
| 44 | 219353 | Linsenschraube | Fillister head screw |
| 45 | 79325071 | Zylinder kpl. (mit Pos. 46 und 47) | Cylinder cpl. (with pos. 46 and 47) |
| 46 | 246348 | Lippenring | Lip seal |
| 47 | 380289 | Scheibe | Washer |
| 48 | 74650555 | Anschlußstück kpl. (mit Pos. 49) | Joining piece cpl. (with pos. 49) |
| 49 | 420324 | Zyl.-Schraube | Cyl. head screw |
| 50 | 7972016 | Schlauchtülle | Hose nozzle |
| 51 | 74640379 | Kupplungsstecker | Coupler plug |
| 52 | 79325006 | Scheibe | Washer |
| 53 | 79325029 | Nadelleiste (innen links) | Needle reglet (inside left) |
| 54 | 93363984 | Linsenschraube | Fillister head screw |
| 55 | 55890 | Scheibe (Nur bei Bedarf) | Washer (In case of requirement only) |

| Pos. Det. | Teile Nr. Part No. | Benennung | Denomination |
|-----------|--------------------|-----------|--------------|
|-----------|--------------------|-----------|--------------|

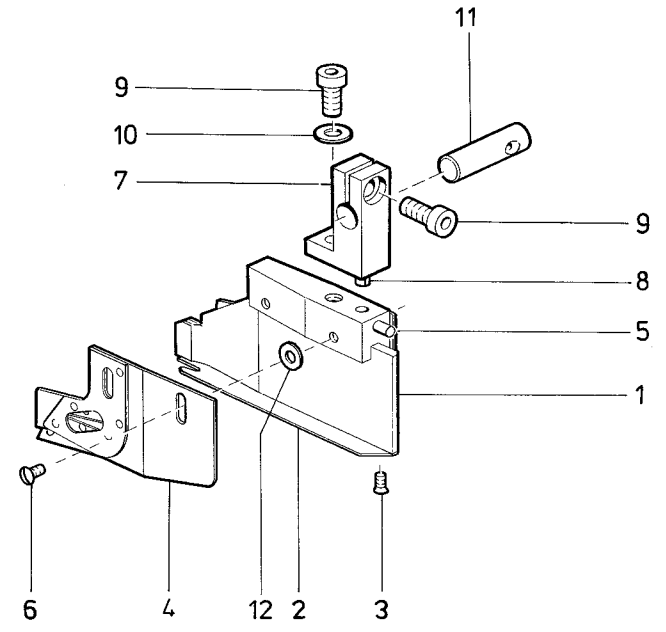




| Pos. Det. | Teile Nr. Part No. | Benennung | Denomination |
|-----------|--------------------|--------------------------------------|------------------------------------|
| | | Greiffaltstempel kpl. | Catch folder cpl. |
| | 79325193 | für Stempeleinrichtung S29 | for Folder equipment S29 |
| | 79325273 | für Stempeleinrichtung S33 | for Folder equipment S33 |
| | 79325343 | für Stempeleinrichtung S19 | for Folder equipment S19 |
| | 79325403 | für Stempeleinrichtung S23 | for Folder equipment S23 |
| | 79325553 | für Stempeleinrichtung S36 | for Folder equipment S36 |
| | 79325573 | für Stempeleinrichtung S38 | for Folder equipment S38 |
| | 79325833 | für Stempeleinrichtung S60 | for Folder equipment S60 |
| 1 | 79325004 | Halter | Holder |
| 2 | 719127 | 6kt.-Schraube | Hexagonal screw |
| 3 | 79325007 | Platte | Plate |
| 4 | 79325008 | Bolzen | Bolt |
| 5 | P 121110 | 6kt.-Schraube | Hexagonal screw |
| 6 | 557263 | Scheibe | Washer |
| 7 | 74690308 | Anschlag | Stop |
| 8 | 216120 | Zyl.-Schraube | Cyl. head screw |
| 9 | 5691895 | Scheibe | Washer |
| 10 | 216589 | Gewindestift | Threaded stud |
| 11 | 74690312 | Gewindestift | Threaded stud |
| 12 | 79325195 | Faltleiste | Folder reglet |
| 13 | 79325196 | Sohle, für S6 | Plain base, for S6 |
| | 79325275 | Sohle, für S10 | Plain base, for S10 |
| | 79325225 | Sohle, für S19 | Plain base, for S19 |
| | 79325405 | Sohle, für S23 | Plain base, for S23 |
| | 79325555 | Sohle, für S36 | Plain base, for S36 |
| | 79325575 | Sohle, für S38 | Plain base, for S38 |
| | 79325835 | Sohle, für S60 | Plain base, for S60 |
| 14 | 9335735 | Senkschraube | Countersunk screw |
| 15 | 79325198 | Nadelleiste (außen, links) | Needle reglet (outside left) |
| 16 | 74650517 | Nadel | Needle |
| 17 | 79325199 | Nadelleiste (innen, links) | Needle reglet (inside left) |
| 18 | 79325036 | Leiste | Reglet |
| 19 | 79325200 | Schutzblech | Guard plate |
| 20 | 79325160 | Schutzblech | Guard plate |
| 21 | 221583 | Zyl.-Schraube | Cyl. head screw |

| Pos. Det. | Teile Nr. Part No. | Benennung | Denomination |
|-----------|--------------------|---------------------------------------|-----------------------------------------|
| 22 | 211268 | Senkschraube | Countersunk screw |
| 23 | 79325041 | Gewindeplatte | Threaded plate |
| 24 | 902707 | Senkschraube | Countersunk screw |
| 26 | 79325045 | Anschlag | Stop |
| 27 | 79325046 | Anschlag | Stop |
| 28 | 216508 | Zyl.-Schraube | Cyl. head screw |
| 29 | 570975 | Scheibe | Washer |
| 30 | 74650562 | Buchse | Bush |
| 31 | 74650563 | Buchse | Bush |
| 32 | 55881 | 6kt.-Schraube | Hexagonal screw |
| 33 | 74650985 | 6kt.-Schraube | Hexagonal screw |
| 34 | 902514 | Scheibe | Washer |
| 35 | 237202 | 6kt.-Mutter | Hexagonal nut |
| 36 | 74650989 | Zugfeder | Draw spring |
| 37 | 74690365 | Kloben | Block |
| 38 | 74690366 | Zyl.-Schraube | Cyl. head screw |
| 39 | 5511246 | Scheibe | Washer |
| 40 | 9424586 | 6kt.-Schraube | Hexagonal screw |
| 41 | 79325068 | Leitblech | Guide plate |
| 42 | 79325069 | Leitblech | Guide plate |
| 43 | 219353 | Linsenschraube | Fillister head screw |
| 44 | 79325071 | Zylinder kpl. (mit Pos. 45 und 46) | Cylinder cpl. (with pos. 45 and 46) |
| 45 | 246348 | Lippenring | Lip seal |
| 46 | 380289 | Scheibe | Washer |
| 47 | 74650555 | Anschlußstück kpl. (mit Pos. 48) | Joining piece cpl. (with pos. 48) |
| 48 | 420324 | Zyl.-Schraube | Cyl. head screw |
| 49 | 7972016 | Schlauchtülle | Hose nozzle |
| 50 | 74640379 | Kupplungsstecker | Coupler plug |
| 51 | 79325006 | Scheibe | Washer |
| 52 | 55890 | Scheibe (Nur bei Bedarf) | Washer (In case of requirement only) |

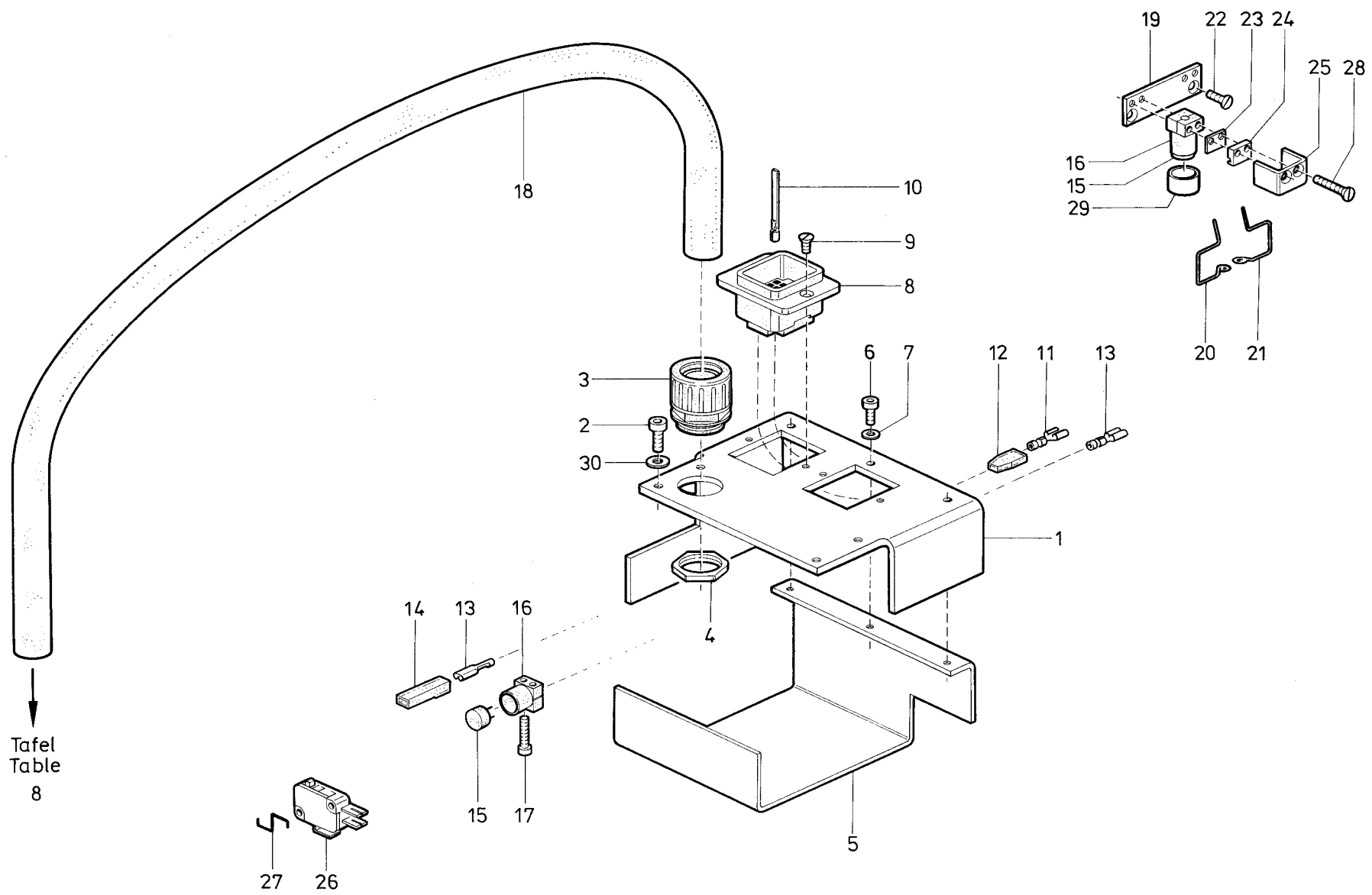
| Pos. Det. | Teile Nr. Part No. | Benennung | Denomination |
|-----------|--------------------|-----------|--------------|
|-----------|--------------------|-----------|--------------|

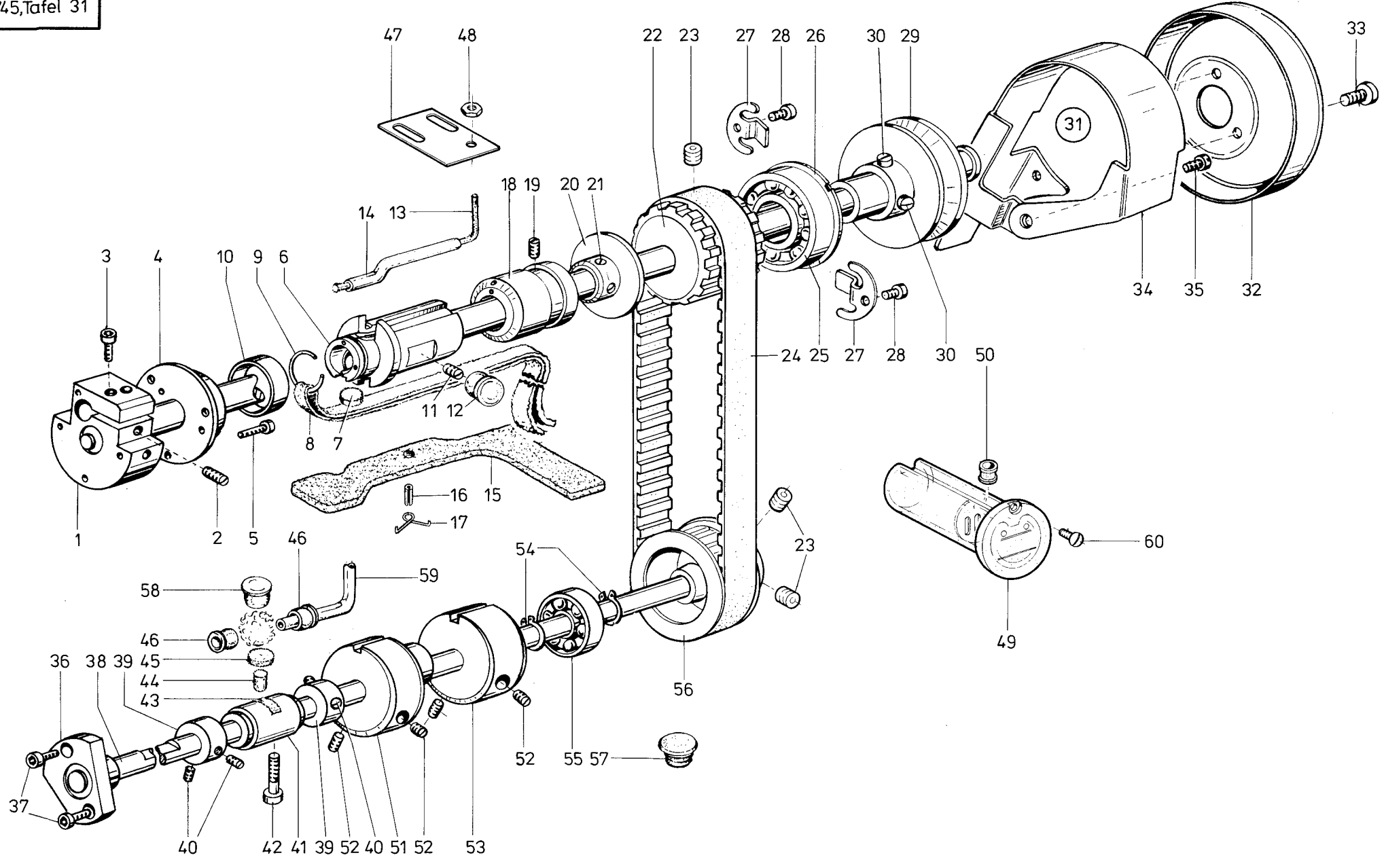


| Pos. Det. | Teile Nr. Part No. | Benennung | Denomination |
|-----------|--------------------|----------------------------------|---------------------------------|
| | | Faltstempel komplett | Folder complet |
| 79325457 | | für Stempelinrichtung S26 | for Folder equipment S26 |
| 79325467 | | für Stempelinrichtung S27 | for Folder equipment S27 |
| 79325477 | | für Stempelinrichtung S28 | for Folder equipment S28 |
| 79325487 | | für Stempelinrichtung S29 | for Folder equipment S29 |
| 79325497 | | für Stempelinrichtung S30 | for Folder equipment S30 |
| 79325507 | | für Stempelinrichtung S31 | for Folder equipment S31 |
| 79325517 | | für Stempelinrichtung S32 | for Folder equipment S32 |
| 79325527 | | für Stempelinrichtung S33 | for Folder equipment S33 |
| 79324531 | | für Stempelinrichtung S19 | for Folder equipment S19 |
| 79325297 | | für Stempelinrichtung S13 | for Folder equipment S13 |
| 79325307 | | für Stempelinrichtung S16 | for Folder equipment S16 |
| 79325367 | | für Stempelinrichtung S20 | for Folder equipment S20 |
| 79325317 | | für Stempelinrichtung S17 | for Folder equipment S17 |
| 79325337 | | für Stempelinrichtung S18 | for Folder equipment S18 |
| 79325377 | | für Stempelinrichtung S21 | for Folder equipment S21 |
| 79325397 | | für Stempelinrichtung S22 | for Folder equipment S22 |
| 79325407 | | für Stempelinrichtung S23 | for Folder equipment S23 |
| 79325417 | | für Stempelinrichtung S24 | for Folder equipment S24 |
| 79325532 | | für Stempelinrichtung S34 | for Folder equipment S34 |
| 79325547 | | für Stempelinrichtung S35 | for Folder equipment S35 |
| 79325557 | | für Stempelinrichtung S36 | for Folder equipment S36 |

| Pos. Det. | Teile Nr. Part No. | Benennung | Denomination |
|-----------|--------------------|----------------------------------------------------------------|---------------------------------------------------------------|
| | 79325567 | für Stempelinrichtung S37 | for Folder equipment S37 |
| | 79325577 | für Stempelinrichtung S38 | for Folder equipment S38 |
| | 79325587 | für Stempelinrichtung S39 | for Folder equipment S39 |
| | 79325837 | für Stempelinrichtung S60 | for Folder equipment S60 |
| | 79325557 | für Stempelinrichtung S61 | for Folder equipment S61 |
| 1 | 74690393a | Kloben, für S26, S28, S30, S32, S34, S16, S18, S20, S22 | Block, for S26, S28, S30, S32, S34, S16, S18, S20, S22 |
| | 79325419 | Kloben, für S13, S24, S35, S36, S37, S38, S39 | Block, for S13, S24, S35, S36, S37, S38, S39 |
| | 74690455 | Kloben, für S17, S19, S21, S23, S27, S29, S31, S33 | Block, for S17, S19, S21, S23, S27, S29, S31, S33 |
| 2 | 79325459 | Sohle, für S26 | Plain base, for S26 |
| | 79325469 | Sohle, für S27 | Plain base, for S27 |
| | 79325479 | Sohle, für S28 | Plain base, for S28 |
| | 79325489 | Sohle, für S29 | Plain base, for S29 |
| | 79325499 | Sohle, für S30 | Plain base, for S30 |
| | 79325509 | Sohle, für S31 | Plain base, for S31 |
| | 79325519 | Sohle, für S32 | Plain base, for S32 |
| | 79324533 | Sohle, für S19 | Plain base, for S19 |
| | 79325519 | Sohle, für S33 | Plain base, for S33 |
| | 79325299 | Sohle, für S13 | Plain base, for S13 |
| | 79325309 | Sohle, für S16 | Plain base, for S16 |
| | 79325369 | Sohle, für S20 | Plain base, for S20 |
| | 79325319 | Sohle, für S17 | Plain base, for S17 |
| | 79325339 | Sohle, für S18 | Plain base, for S18 |
| | 79325379 | Sohle, für S21 | Plain base, for S21 |
| | 79325399 | Sohle, für S22 | Plain base, for S22 |
| | 79325409 | Sohle, für S23 | Plain base, for S23 |
| | 79325424 | Sohle, für S24 | Plain base, for S24 |
| | 79325534 | Sohle, für S34 | Plain base, for S34 |
| | 79325549 | Sohle, für S35 | Plain base, for S35 |
| | 79325559 | Sohle, für S36 | Plain base, for S36 |
| | 79325569 | Sohle, für S37 | Plain base, for S37 |
| | 79325579 | Sohle, für S38 | Plain base, for S38 |
| | 79325589 | Sohle, für S39 | Plain base, for S39 |
| | 79325839 | Sohle, für S60 | Plain base, for S60 |
| | 79325849 | Sohle, für S61 | Plain base, for S61 |

| Pos. Det. | Teile Nr. Part No. | Benennung | Denomination |
|-----------|--------------------|----------------------------------------------------|--------------------------------------------------------|
| 3 | 9335735 | Senkschraube | Countersunk screw |
| 4 | 74690401 | Leitblech, links | Guide plate, left hand |
| 5 | 74690406 | Leitblech, rechts | Guide plate, right hand |
| 6 | 10019130 | Linsenschraube | Fillister head screw |
| | 219353 | Linsenschraube (Nur bei Verwendung von Pos. 12) | Fillister head screw (Only with the use of pos. 12) |
| 7 | 74690421 | Klemmstück kpl. (mit Pos. 8) | Clamping piece cpl. (with pos. 8) |
| 8 | 7391171a | Spannhülse | Clamping sleeve |
| 9 | 2124909 | Zyl.-Schraube | Cyl. head screw |
| 10 | 557263 | Scheibe | Washer |
| 11 | 74650636 | Bolzen | Bolt |
| 12 | 55890 | Scheibe (Nur bei Bedarf) | Washer (In case of requirement only) |

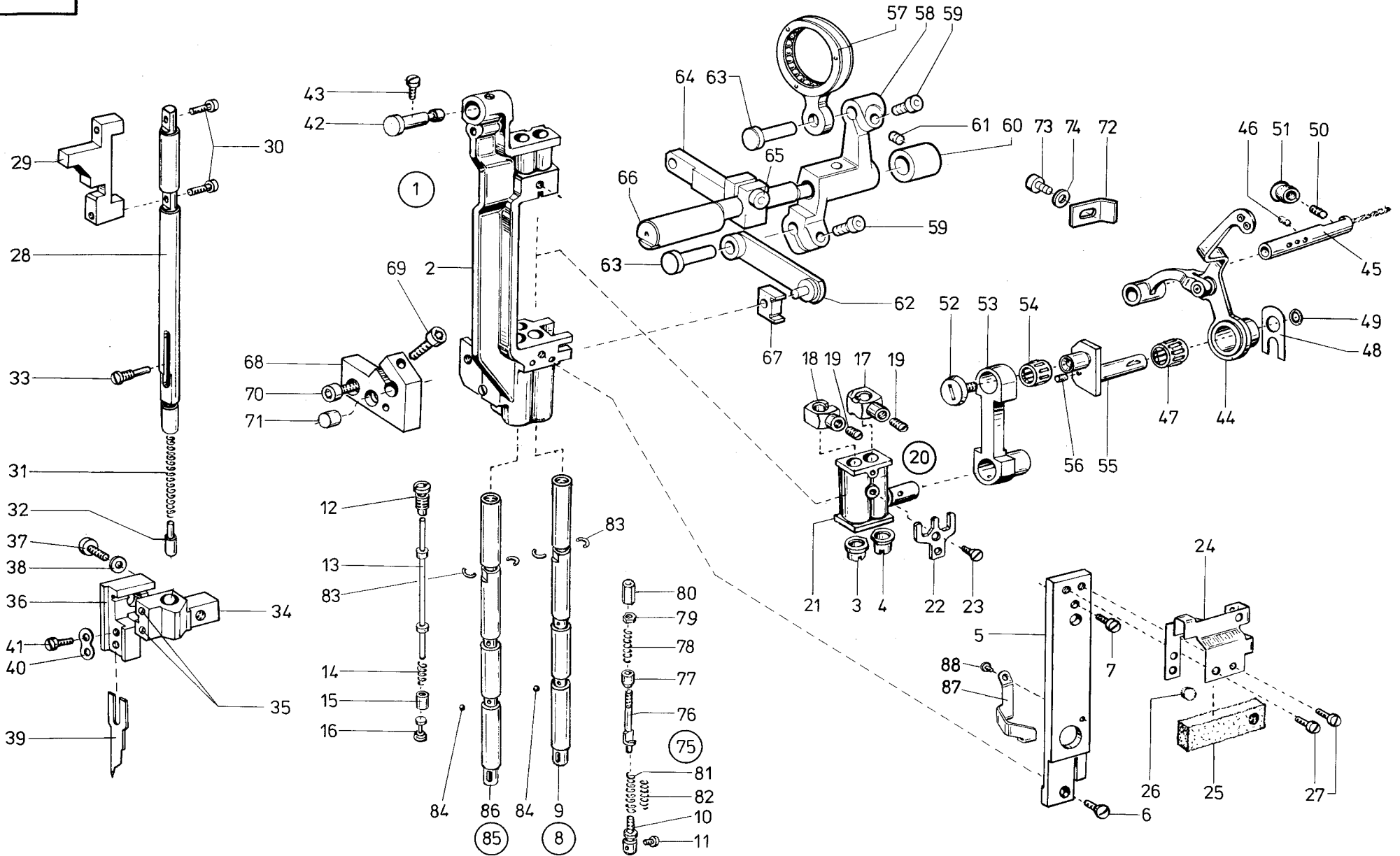




| Pos. Det. | Teile Nr. Part No. | Benennung | Denomination |
|-----------|--------------------|------------------------------------------------------------|--------------------------------------------------------------|
| | | Teile der Klasse 935-246-41 | Parts of Class 935-246-41 |
| 1 | 2462502 | Armwelle kpl. (mit Pos. 2 und 3) | Arm shaft cpl. (with pos. 2 and 3) |
| 2 | 902140 | Gewindestift | Threaded stud |
| 3 | 7441968 | Zyl.-Schraube | Cyl. head screw |
| 4 | 2463964 | Exzenter | Eccentric |
| 5 | 74420778 | Zyl.-Schraube | Cyl. head screw |
| 6 | 24617 | Armlager kpl. (mit Pos. 7, 8, 9, 10, 14) | Arm bearing cpl. (with pos. 7, 8, 9, 10, 14) |
| 7 | 211305a | Filzteil | Felt |
| 8 | 211305b | Öldocht | Oil wick |
| 9 | 211306b | Federring | Spring ring |
| 10 | 211306a | Ring | Ring |
| 11 | 21642 | Gewindestift | Threaded stud |
| 12 | 10011162 | Verschlußkappe | Cap |
| 13 | 211309 | Docht | Wick |
| 14 | 211308k | Schlauch kpl. (mit Pos. 13) | Hose cpl. (with pos. 13) |
| 15 | 2124744 | Filzteil | Felt |
| 16 | 2124743 | Spannhülse | Clamping sleeve |
| 17 | 2124745 | Klemmfeder | Clamp spring |
| 18 | 211316 | Armlager | Arm bearing |
| 19 | 223448 | Gewindestift | Threaded stud |
| 20 | 24668 | Scheibe kpl. (mit Pos. 21) | Washer cpl. (with pos. 21) |
| 21 | 57055 | Gewindestift | Threaded stud |
| 22 | 211351b | Gurtrad kpl. (mit Pos. 23) | Belt wheel cpl. (with pos. 23) |
| 23 | 211354 | Gewindestift | Threaded stud |
| 24 | 211355 | Zahnriemen | Toothed belt |
| 25 | 211361 | Rillenkugellager | Grooved ball bearing |
| 26 | 211362 | Sicher.-Ring | Lock ring |
| 27 | 93375 | Haltefeder | Retaining spring |
| 28 | 223700 | Zyl.-Schraube | Cyl. head screw |
| 29 | 211365 | Flansch kpl. (mit Pos. 30) | Flange cpl. (with pos. 30) |
| 30 | 21668a | Zyl.-Schraube | Cyl. head screw |
| 31 | 935100071 | Handrad kpl. (best. aus Pos. 25, 26, 29, 30, 32, 33) | Hand wheel cpl. (cons. of pos. 25, 26, 29, 30, 32, 33) |
| 32 | 29147 | Handrad | Hand wheel |
| 33 | 216229 | Zyl.-Schraube | Cyl. head screw |
| 34 | 211499 | Schutzkappe | Protective cap |

| Pos. Det. | Teile Nr. Part No. | Benennung | Denomination |
|-----------|--------------------|----------------------------------|---------------------------------------|
| 35 | 650292 | Zyl.-Schraube | Cyl. head screw |
| 36 | 246623 | Nadellager | Needle bearing |
| 37 | 746879 | Zyl.-Schraube | Cyl. head screw |
| 38 | 246621 | Unterwelle | Lower shaft |
| 39 | 267248 | Stellring kpl. (mit Pos. 40) | Set collar cpl. (with pos. 40) |
| 40 | 5411395 | Gewindestift | Threaded stud |
| 41 | 244518 | Nadellager kpl. (mit Pos. 43) | Needle bearing cpl. (with pos. 43) |
| 42 | 650347 | Zyl.-Schraube | Cyl. head screw |
| 43 | 244522 | Filzteil | Felt |
| 44 | 422297 | Filzteil | Felt |
| 45 | 42013 | Filzteil | Felt |
| 46 | 246610 | Verschlußkappe | Cap |
| 47 | 9331572 | Lasche | Shackle |
| 48 | MG 43/408 | 6kt.-Mutter | Hexagonal nut |
| 49 | 9331533 | Ölbehälter | Oil box |
| 50 | 211801 | Stopfen | Plug |
| 51 | 2462555 | Exzenter kpl. (mit Pos. 52) | Eccentric cpl. (with pos. 52) |
| 52 | 223648 | Gewindestift | Threaded stud |
| 53 | 2462558 | Exzenter kpl. (mit Pos. 52) | Eccentric cpl. (with pos. 52) |
| 54 | 211109 | Sicher.-Ring | Lock ring |
| 55 | 211108 | Rillenkugellager | Grooved ball bearing |
| 56 | 211141a | Gurtrad kpl. (mit Pos. 23) | Belt wheel cpl. (with pos. 23) |
| 57 | 911196 | Verschlußkappe | Cap |
| 58 | 211257 | Verschlußkappe | Cap |
| 59 | 246614 | Schlauch | Hose |
| 60 | 10019130 | Linsenschraube | Fillister head screw |

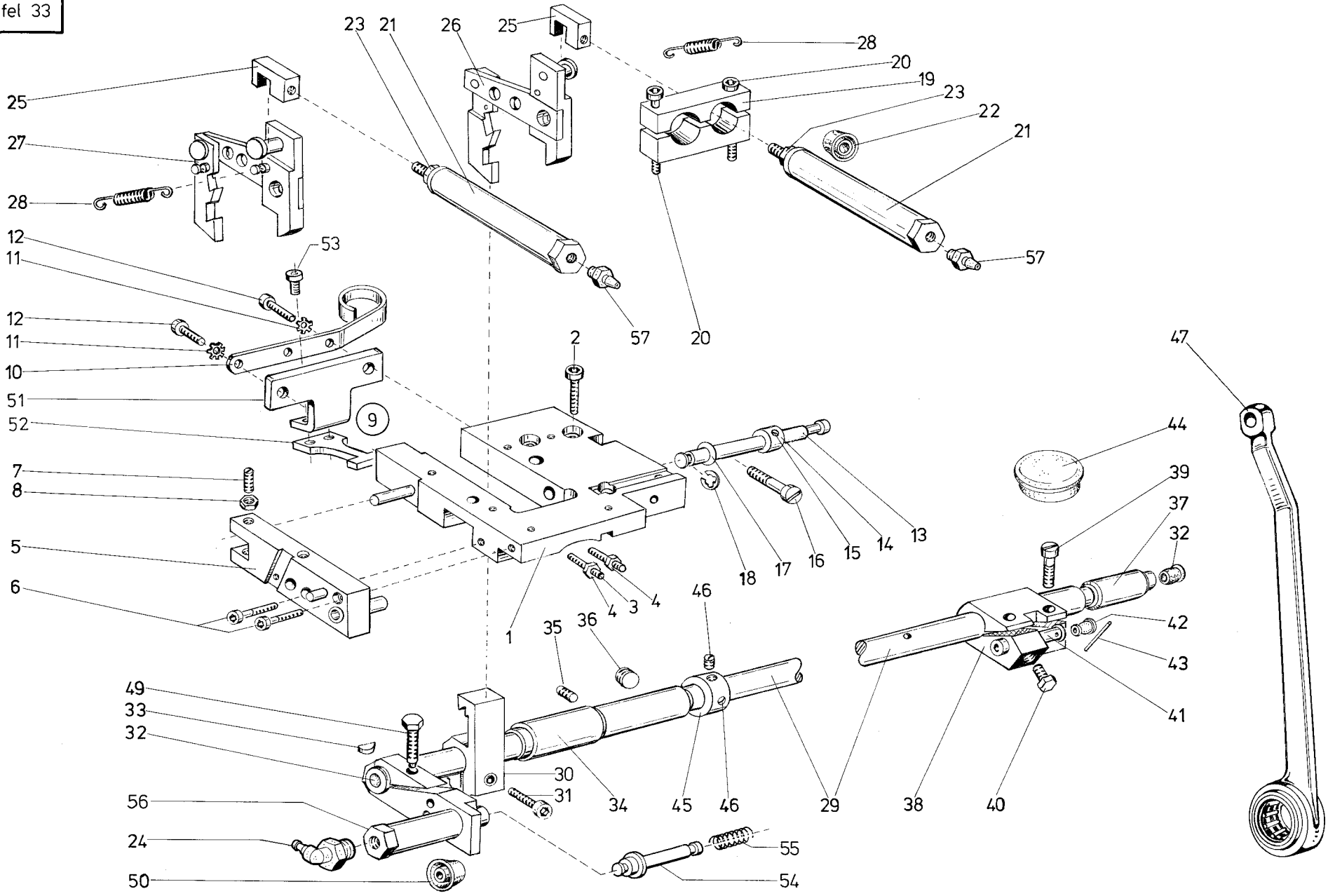
| Pos. Det. | Teile Nr. Part No. | Benennung | Denomination |
|-----------|--------------------|-----------|--------------|
| | | | |



| Pos. Det. | Teile Nr. Part No. | Benennung | Denomination |
|-----------|--------------------|--------------------------------------------|-----------------------------------------------------|
| | | Teile der Klasse 935-246-41 | Parts of Class 935-246-41 |
| 1 | 935102012 | Nadelstangenkulissee kpl. | Needle bar connecting link cpl. |
| 2 | 246135a | Nadelst.-Kulissee kpl. (mit Pos. 3 und 4) | Needle bar connecting link cpl. (with pos. 3 and 4) |
| 3 | 246136 | Buchse | Bushing |
| 4 | 246136a | Buchse | Bushing |
| 5 | 246146 | Führungsschiene | Guide rail |
| 6 | 216496 | Senkschraube | Countersunk screw |
| 7 | 237624 | Zyl.-Schraube | Cyl. head screw |
| 8 | 246151 | Nadelstange kpl. | Needle bar cpl. |
| 9 | 246152 | Nadelstange, rechts | Needle bar, right hand |
| 10 | 246169 | Anschlagbolzen | Stop bolt |
| 11 | 380110 | Zyl.-Schraube | Cyl. head screw |
| 12 | 38093 | Spezialschraube | Special screw |
| 13 | 38094 | Entkuppl.-Stange | Releasing rod |
| 14 | 38095 | Druckfeder | Pressure spring |
| 15 | 38096 | Hülse | Sleeve |
| 16 | 38097 | Kegelbolzen | Cone bolt |
| 17 | 246174 | Klemmring | Clamping ring |
| 18 | 246176 | Klemmring | Clamping ring |
| 19 | 380117 | Gewindestift | Threaded stud |
| 20 | 380119 | Kreuzkopf kpl. (best. aus Pos. 21, 22, 23) | Cross head cpl. (cons. of pos. 21, 22, 23) |
| 21 | 380120k | Kreuzkopf | Cross head |
| 22 | 380121 | Führungsgabel | Guide fork |
| 23 | 380122 | Senkschraube | Countersunk screw |
| 24 | 246188k | Halteblech kpl. (mit Pos. 25) | Fixing plate cpl. (with pos. 25) |
| 25 | 246189 | Filzteil | Felt |
| 26 | 5561827 | Filzteil | Felt |
| 27 | 556947 | Zyl.-Schraube | Cyl. head screw |
| 28 | 246191 | Messerstange | Knife rod |
| 29 | 2462541 | Führungsschiene | Guide rail |
| 30 | 376128 | Zyl.-Schraube | Cyl. head screw |
| 31 | 246196 | Druckfeder | Pressure spring |
| 32 | 376131 | Führungsstift | Guide pin |
| 33 | 376132 | Spezialschraube | Special screw |
| 34 | 2462543 | Messerkloben kpl. (mit Pos. 35) | Knife block cpl. (with pos. 35) |
| 35 | 5411395 | Gewindestift | Threaded stud |

| Pos. Det. | Teile Nr. Part No. | Benennung | Denomination |
|-----------|--------------------|----------------------------------------|-----------------------------------------|
| 36 | 2462547 | Messerhalter kpl. (mit Pos. 40 und 41) | Knife holder cpl. (with pos. 40 and 41) |
| 37 | 216120 | Zyl.-Schraube | Cyl. head screw |
| 38 | 5691895 | Scheibe | Washer |
| 39 | 2462553* | Messer | Knife |
| 40 | 2041038 | Decklasche | Cover joint bar |
| 41 | 5691922 | Zyl.-Schraube | Cyl. head screw |
| 42 | 2462533 | Lagerbolzen | Bearing bolt |
| 43 | 21668a | Zyl.-Schraube | Cyl. head screw |
| 44 | 24697 | Fadenhebel | Thread lever |
| 45 | 211411a | Fadenh.-Achse | Thread shaft |
| 46 | 211416 | Filzteil | Felt |
| 47 | 211408 | Nadelkranz | Needle bearing |
| 48 | 211407 | Anlageplatte | Lay-on plate |
| 49 | 211331 | Gummiring | Rubber ring |
| 50 | 211414 | Gewindestift | Threaded stud |
| 51 | 10011162 | Verschlusskappe | Cap |
| 52 | 211398 | Deckschraube | Cover screw |
| 53 | 246218 | Zugstange | Draw bar |
| 54 | 211397 | Nadelkranz | Needle bearing |
| 55 | 24651 | Kurbelzapfen kpl. (mit Pos. 56) | Crank pin cpl. (with pos. 56) |
| 56 | 265704 | Filzteil | Felt |
| 57 | 2462508 | Zugstange | Draw bar |
| 58 | 2463975 | Doppelhebel kpl. (mit Pos. 59) | Double lever cpl. (with pos. 59) |
| 59 | 7441509 | Zyl.-Schraube | Cyl. head screw |
| 60 | 2462524 | Buchse | Bush |
| 61 | 7461033 | Gewindestift | Threaded stud |
| 62 | 2462527 | Lasche | Shackle |
| 63 | 2462521 | Lagerbolzen | Bearing bolt |
| 64 | 2463987 | Klemmhebel kpl. (mit Pos. 65) | Clamping lever cpl. (with pos. 65) |
| 65 | 2658878 | Zyl.-Schraube | Cyl. head screw |
| 66 | 2463982 | Exzenterwelle | Eccentric shaft |
| 67 | 2462532 | Gleitstein | Sliding piece |
| 68 | 2462536 | Klemmstück kpl. (mit Pos. 69) | Clamping piece cpl. (with pos. 69) |
| 69 | 7441968 | Zyl.-Schraube | Cyl. head screw |
| 70 | 421222 | Zyl.-Schraube | Cyl. head screw |
| 71 | 2462539 | Druckbolzen | Pressure bolt |
| 72 | 935100057 | Lasche | Shackle |
| 73 | 270631 | Zyl.-Schraube | Cyl. head screw |
| 74 | 024275 | Scheibe | Washer |
| 75 | 380101 | Gestänge kpl. | Rods cpl. |

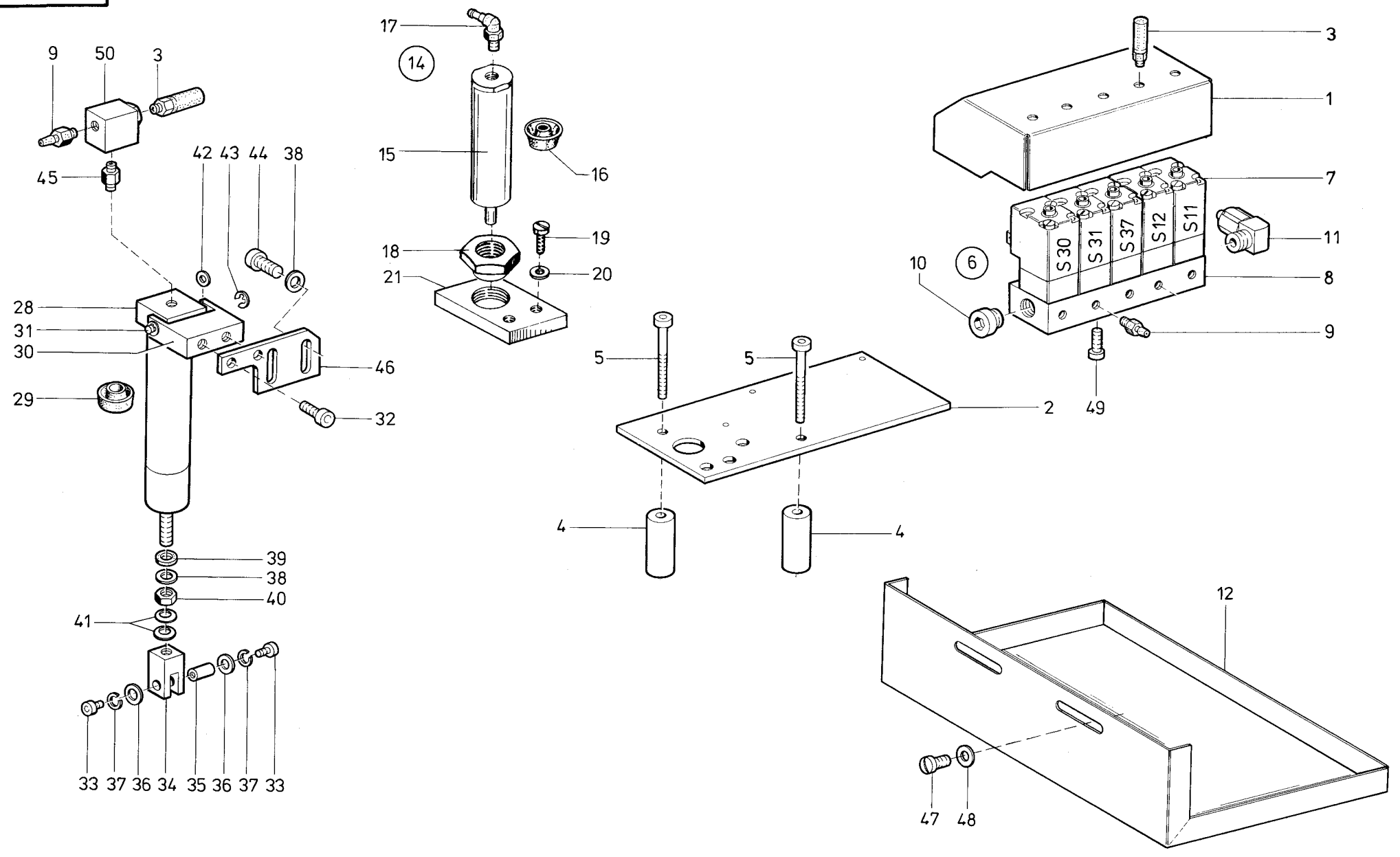
| Pos. Det. | Teile Nr. Part No. | Benennung | Denomination |
|-----------|--------------------|--------------------|----------------------------------|
| 76 | 380102 | Federstange | Spring rod |
| 77 | 380103 | Kegelhülse | Taper sleeve |
| 78 | 380104 | Druckfeder | Pressure spring |
| 79 | 380105 | 6kt.-Mutter | Hexagonal nut |
| 80 | 380106 | Hutmutter | Dome nut |
| 81 | 380108 | Druckfeder | Pressure spring |
| 82 | 246167 | Druckfeder | Pressure spring |
| 83 | 380112 | Sicher.-Ring | Safety ring |
| 84 | 380111 | Kugel | Ball |
| 85 | 246151a | Nadelstange kpl. | Needle bar cpl. |
| 86 | 246152a | Nadelstange, links | Needle bar, left hand |
| 87 | 38089 | Sperrfeder | Drag spring |
| 88 | 211256 | Zyl.-Schraube | Cyl. head screw |
| | | * Beipackteil | * is included in the Accessories |



| Pos. Det. | Teile Nr. Part No. | Benennung | Denomination |
|-----------|--------------------|-----------------------------------------------|-------------------------------------------------------|
| | | Teile der Klasse 935-246-41 | Parts of Class 935-246-41 |
| 1 | 246122a | Lagerplatte | Bed plate |
| 2 | 246130 | Zyl.-Schraube | Cyl. head screw |
| 3 | 911445 | Gewindestift | Threaded stud |
| 4 | 202704 | 6kt.-Mutter | Hexagonal nut |
| 5 | 246123k | Platte | Plate |
| 6 | 74420778 | Zyl.-Schraube | Cyl. head screw |
| 7 | 21668 | Gewindestift | Threaded stud |
| 8 | 216660 | 6kt.-Mutter | Hexagonal nut |
| 9 | 2461041 | Sperre kpl. (best. aus Pos. 51, 52, 53) | Blocking device cpl. (cons. of pos. 51, 52, 53) |
| 10 | 246129 | Lasche | Strip |
| 11 | 911267 | Zahnscheibe | Toothed washer |
| 12 | 21646 | Schraube | Screw |
| 13 | 246139 | Achse | Shaft |
| 14 | 246141 | Stellring (mit Pos. 15) | Set collar (with pos. 15) |
| 15 | 420328 | Gewindestift | Threaded stud |
| 16 | 246140 | Schraube | Screw |
| 17 | 570117 | Scheibe | Washer |
| 18 | 7443142 | Scheibe | Washer |
| 19 | 935102101 | Klemmbock | Clamping stand |
| 20 | 246128 | Zyl.-Schraube | Cyl. head screw |
| 21 | 935102105 | Zylinder kpl. (mit Pos. 22) | Cylinder cpl. (with pos. 22) |
| 22 | 21154075 | Dichtring | Gasket ring |
| 23 | MG 8/7d | 6kt.-Mutter | Hexagonal nut |
| 24 | 74423556 | Schlauch-L-Verschr. | Hose-L-coupling |
| 25 | 246250 | Gabelkopf | Fork head |
| 26 | 2461011 | Schalthebel | Switch lever |
| 27 | 2461023 | Schalthebel | Switch lever |
| 28 | 2461035 | Zugfeder | Tension spring |
| 29 | 246271 | Welle | Shaft |
| 30 | 2461037 | Klemmhebel kpl. (mit Pos. 31) | Clamping lever cpl. (with pos. 31) |
| 31 | 556362 | Zyl.-Schraube | Cyl. head screw |
| 32 | 219321 | Verschlusskappe | Cap |
| 33 | 945689 | Scheibfeder | Plate spring |
| 34 | 2461040 | Lager | Bearing |
| 35 | 2161146 | Gewindestift | Threaded stud |
| 36 | 21247 | Gewindestift | Threaded stud |
| 37 | 246282 | Lager | Bearing |

| Pos. Det. | Teile Nr. Part No. | Benennung | Denomination |
|-----------|--------------------|---------------------------------------|----------------------------------------|
| 38 | 246284 | Kloben (mit Pos. 39 und 40) | Block (with pos. 39 and 40) |
| 39 | 216658 | Schraube | Screw |
| 40 | 246287 | Schraube | Screw |
| 41 | 246289 | Bolzen | Bolt |
| 42 | 21185 | Dochthalter | Wick holder |
| 43 | 21189 | Drahtstift | Wire pin |
| 44 | 541292 | Gummistopfen | Rubber plug |
| 45 | 5561099k | Stellring (mit Pos. 46) | Set collar (with pos. 46) |
| 46 | 42084 | Gewindestift | Threaded stud |
| 47 | 246304 | Zugstange | Draw bar |
| 49 | 556645 | Stellschraube | Adjusting screw |
| 50 | 246348 | Lippenring | Labial ring |
| 51 | 2461047 | Winkel | Angle |
| 52 | 2461048 | Sperre | Blocking device |
| 53 | 2461049 | Zyl.-Schraube | Cyl. head screw |
| 54 | 246322a | Bolzen | Bolt |
| 55 | 246320 | Druckfeder | Pressure spring |
| 56 | 246311 | Zylinder kpl. (mit Pos. 49 und 50) | Cylinder cpl. (with pos. 49 and 50) |
| 57 | 7972016 | Schlauchtülle | Hose nozzle |

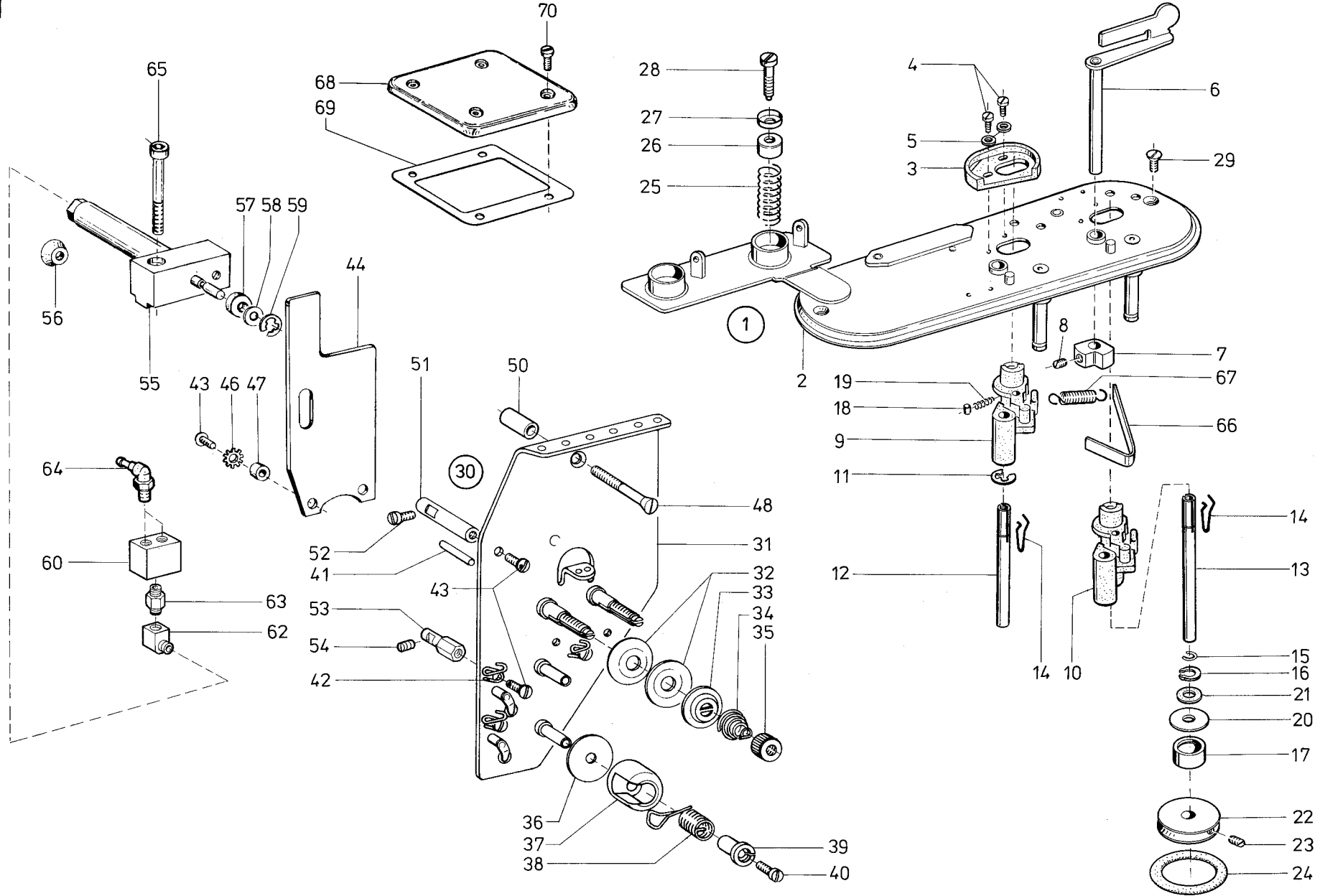
| Pos. Det. | Teile Nr. Part No. | Benennung | Denomination |
|-----------|--------------------|-----------|--------------|
|-----------|--------------------|-----------|--------------|



| Pos. Det. | Teile Nr. Part No. | Benennung | Denomination |
|-----------|--------------------|------------------------------------------------|-------------------------------------------------|
| | | Teile der Klasse 935-246-41 | Parts of Class 935-246-41 |
| 1 | 935100279 | Schutzkappe | Protective cap |
| 2 | 935100222 | Platte | Plate |
| 3 | Z 11649 | Schalldämpfer | Silencer |
| 4 | 7462040 | Distanzhülse | Distance sleeve |
| 5 | 246438 | Zyl.-Schraube | Cyl. head screw |
| 6 | 797333 | Magnetventil kpl. (best. aus Pos. 7, 8, 49) | Solenoid valve cpl. (cons. of pos. 7, 8, 49) |
| 7 | 797322 | Magnetventil | Solenoid valve |
| 8 | 7973019 | Anschlußplatte | Joining plate |
| 9 | 7972016 | Schlauchtülle | Hose nozzle |
| 10 | P 12159 | Zyl.-Schraube | Cyl. head screw |
| 11 | 74423556 | Schl.-Verschr. | Hose coupling screw |
| 12 | 935100851 | Öblech | Oil plate |
| 14 | 2462561a | Zylinder kpl. (best. aus Pos. 15 bis 21) | Cylinder cpl. (cons. of pos. 15 up to 21) |
| 15 | 2462561 | Zylinder kpl. (mit Pos. 16) | Cylinder cpl. (with pos. 16) |
| 16 | 2462566 | Lippenring | Lip seal |
| 17 | 746768 | Schl.-Verschr. | Hose coupling screw |
| 18 | 2462578 | 6kt.-Mutter | Hexagonal nut |
| 19 | 246984 | Zyl.-Schraube | Cyl. head screw |
| 20 | 557263 | Scheibe | Washer |
| 21 | 2462579 | Bef.-Stück | Fastening piece |
| 22 | 246122a | Lagerplatte | Bearing plate |
| 23 | 246130 | Zyl.-Schraube | Cyl. head screw |
| 24 | 246123k | Platte | Plate |
| 25 | 21668 | Gewindestift | Threaded stud |
| 26 | 216660 | 6kt.-Mutter | Hexagonal nut |
| 27 | 74420778 | Zyl.-Schraube | Cyl. head screw |
| 28 | 2464222 | Zylinder kpl. (mit Pos. 29) | Cylinder cpl. (with pos. 29) |
| 29 | 7461547 | Lippenring | Lip seal |
| 30 | 2464241 | Gabelstück | Fork piece |
| 31 | 2464242 | Bolzen | Bolt |
| 32 | 7441509 | Zyl.-Schraube | Cyl. head screw |
| 33 | 2464070 | Zyl.-Schraube | Cyl. head screw |
| 34 | 2464063 | Kloben | Block |
| 35 | 2464067 | Gewindebuchse | Thread bush |
| 36 | 570975 | Scheibe | Washer |
| 37 | 2464069 | Federring | Spring ring |
| 38 | 557263 | Scheibe | Washer |

| Pos. Det. | Teile Nr. Part No. | Benennung | Denomination |
|-----------|--------------------|-----------------|----------------------|
| 39 | 74612897 | Scheibe | Washer |
| 40 | MG 43/409 | 6kt.-Mutter | Hexagonal nut |
| 41 | 933587 | Tellerfeder | Cup spring |
| 42 | 024275 | Scheibe | Washer |
| 43 | 570138 | Sicher.-Scheibe | Lock washer |
| 44 | 74240277 | Zyl.-Schraube | Cyl. head screw |
| 45 | Z 11650 | Doppelnippel | Double nipple |
| 46 | 2464071 | Platte | Plate |
| 47 | 22392 | Linsenschraube | Fillister head screw |
| 48 | 024275 | Scheibe | Washer |
| 49 | 2461017 | Zyl.-Schraube | Cyl. head screw |
| 50 | 797405 | Ventil | Valve |

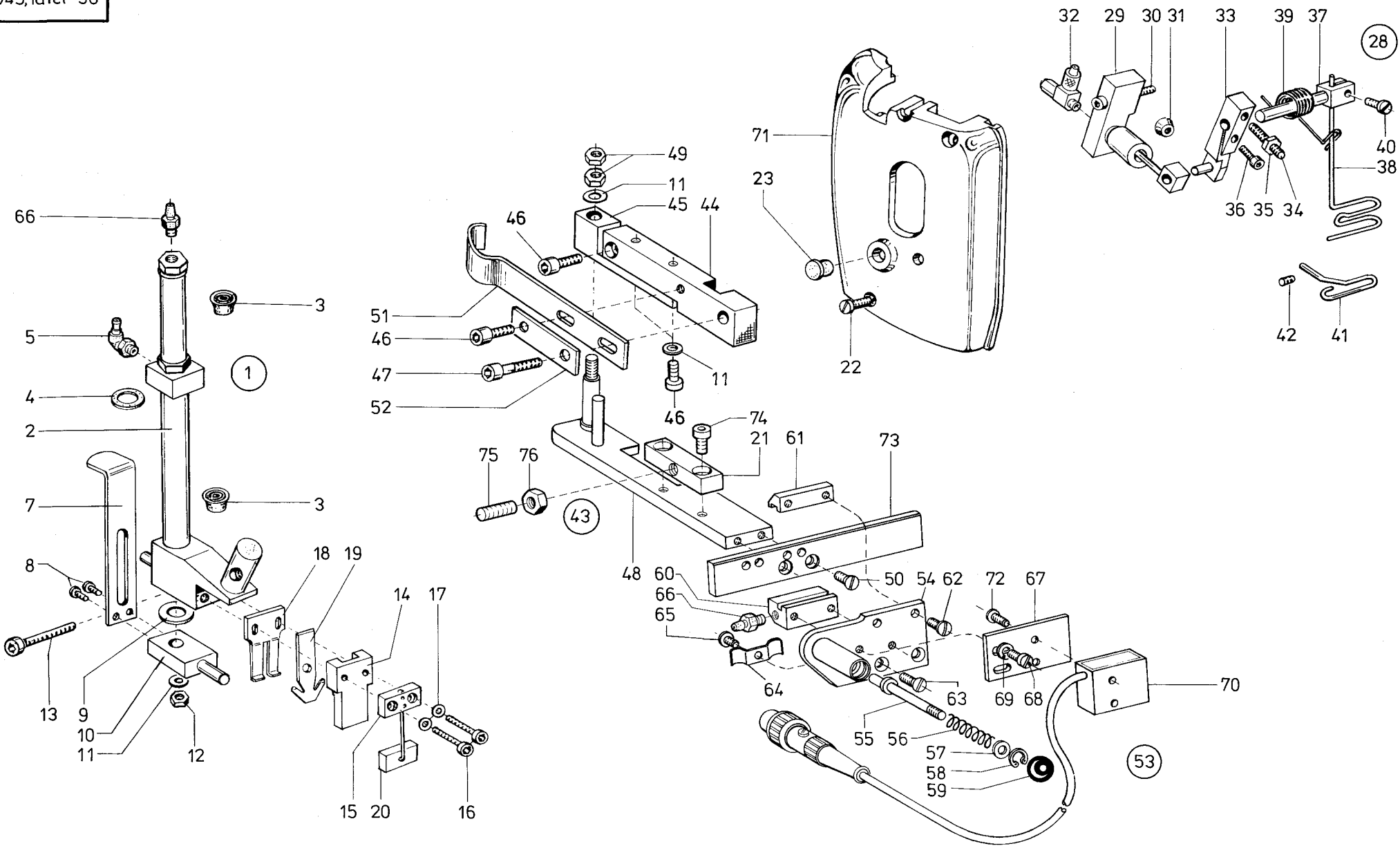
| Pos. Det. | Teile Nr. Part No. | Benennung | Denomination |
|-----------|--------------------|-----------|--------------|
|-----------|--------------------|-----------|--------------|



| Pos. Det. | Teile Nr. Part No. | Benennung | Denomination |
|-----------|--------------------|--------------------------------------------------------|-----------------------------------------------------------------|
| | | Teile der Klasse 935-246-41 | Parts of Class 935-246-41 |
| 1 | 935100402 | Spuler kpl. (best. aus Pos. 2 bis 28, 66 und 67) | Bobbin winder cpl. (cons. of pos. 2 up to 28, 66 and 67) |
| 2 | 244362 | Spulerdeckel | Bobbin cover |
| 3 | 2111152 | Fadenabweiser | Thread repeller |
| 4 | 265407 | Zyl.-Schraube | Cyl. head screw |
| 5 | 913629 | Scheibe | Washer |
| 6 | 244381 | Spulerklappe | Bobbin case flap |
| 7 | 216603k | Schaltkloben kpl. (mit Pos. 8) | Switch block cpl. (with pos. 8) |
| 8 | 223648 | Gewindestift | Thread stud |
| 9 | 246466 | Spulerbock, kurz | Bobbin winder support, short |
| 10 | 244388 | Spulerbock, lang | Bobbin winder support, long |
| 11 | 211100a | Sicher.-Scheibe | Lock washer |
| 12 | 246471 | Spulerspindel, kurz, kpl. (mit Pos. 14, 15, 16) | Bobbin winder spindle, short, cpl. (with pos. 14, 15, 16) |
| 13 | 291758 | Spulerspindel kpl. (mit Pos. 14, 15, 16) | Bobbin winder spindle cpl. (with pos. 14, 15, 16) |
| 14 | 271275 | Spezialfeder | Special spring |
| 15 | 271276 | Federring | Spring ring |
| 16 | 211518 | Greifring | Grip ring |
| 17 | 244398 | Ring | Ring |
| 18 | 244399 | Zyl.-Rolle | Cyl. roll |
| 19 | 244400 | Druckfeder | Pressure spring |
| 20 | 244401 | Scheibe | Washer |
| 21 | 244396 | Scheibe | Washer |
| 22 | 211520 | Spulerrad kpl. (mit Pos. 23) | Bobbin winder wheel cpl. (with pos. 23) |
| 23 | 2235047 | Gewindestift | Threaded stud |
| 24 | 216591 | Gummiring | Rubber ring |
| 25 | 244413 | Druckfeder | Pressure spring |
| 26 | 244414 | Spannungshülse | Tension sleeve |
| 27 | 244415 | Spannungshülse | Tension sleeve |
| 28 | 244416 | Linsenschraube | Fillister head screw |
| 29 | 722201 | Senkschraube | Countersunk screw |
| 30 | 2464104 | Fadenspannung kpl. (best. aus Pos. 31 bis 47) | Thread tightener cpl. (cons. of pos. 31 up to 47) |
| 31 | 2464105 | Halteblech | Retaining plate |

| Pos. Det. | Teile Nr. Part No. | Benennung | Denomination |
|-----------|--------------------|--------------------------------------------|---------------------------------------------|
| 32 | 21150214 | Spannungsscheibe | Tension disc |
| 33 | 114202 | Stegscheibe | Stay disc |
| 34 | 00479 | Spannungsfeder | Tension spring |
| 35 | 211482 | Rändelmutter | Knurled nut |
| 36 | 2464112 | Scheibe | Washer |
| 37 | 2111012 | Kapsel | Case |
| 38 | 2464111 | Anzugsfeder | Tension spring |
| 39 | 216507 | Spannhülse | Clamping sleeve |
| 40 | 216508 | Zyl.-Schraube | Cyl. head screw |
| 41 | 24088 | Auslösestift | Detent pin |
| 42 | 2655253 | Fadenöse | Thread loop |
| 43 | 10019130 | Linsenschraube | Fillister head screw |
| 44 | 246410a | Auslöseblech | Releasing plate |
| 46 | 739347 | Zahnscheibe | Tooth lock washer |
| 47 | 2111017 | Hülse | Sleeve |
| 48 | 2464120 | Senkschraube | Countersunk screw |
| 50 | 246417a | Buchse | Bush |
| 51 | 246415 | Bolzen | Bolt |
| 52 | 211464 | Linsenschraube | Fillister head screw |
| 53 | 935100511 | Distanzbolzen | Distance bolt |
| 54 | 264762 | Gewindestift | Threaded stud |
| 55 | 246423a | Zylinder kpl. (mit Pos. 56, 57, 58, 59) | Cylinder cpl. (with pos. 56, 57, 58, 59) |
| 56 | 55614030 | Dichtring | Gasket ring |
| 57 | 5511802 | Scheibe | Washer |
| 58 | 216315 | Scheibe | Washer |
| 59 | 255129 | Sicher.-Scheibe | Lock washer |
| 60 | 55614291 | 3/2-Wege-Ventil | Valve |
| 62 | 23810073 | Winkelstück | Square piece |
| 63 | Z 11650 | Doppelnippel | Double nipple |
| 64 | 746768 | Schl.-Verschr. | Hose coupling screw |
| 65 | 246438 | Zyl.-Schraube | Cyl. head screw |
| 66 | 244403 | Blattfeder | Leaf spring |
| 67 | 244404 | Zugfeder | Tension spring |
| 68 | 267482 | Armdeckel | Arm cover |
| 69 | 267483 | Dichtung | Gasket |
| 70 | 216120 | Zyl.-Schraube | Cyl. head screw |

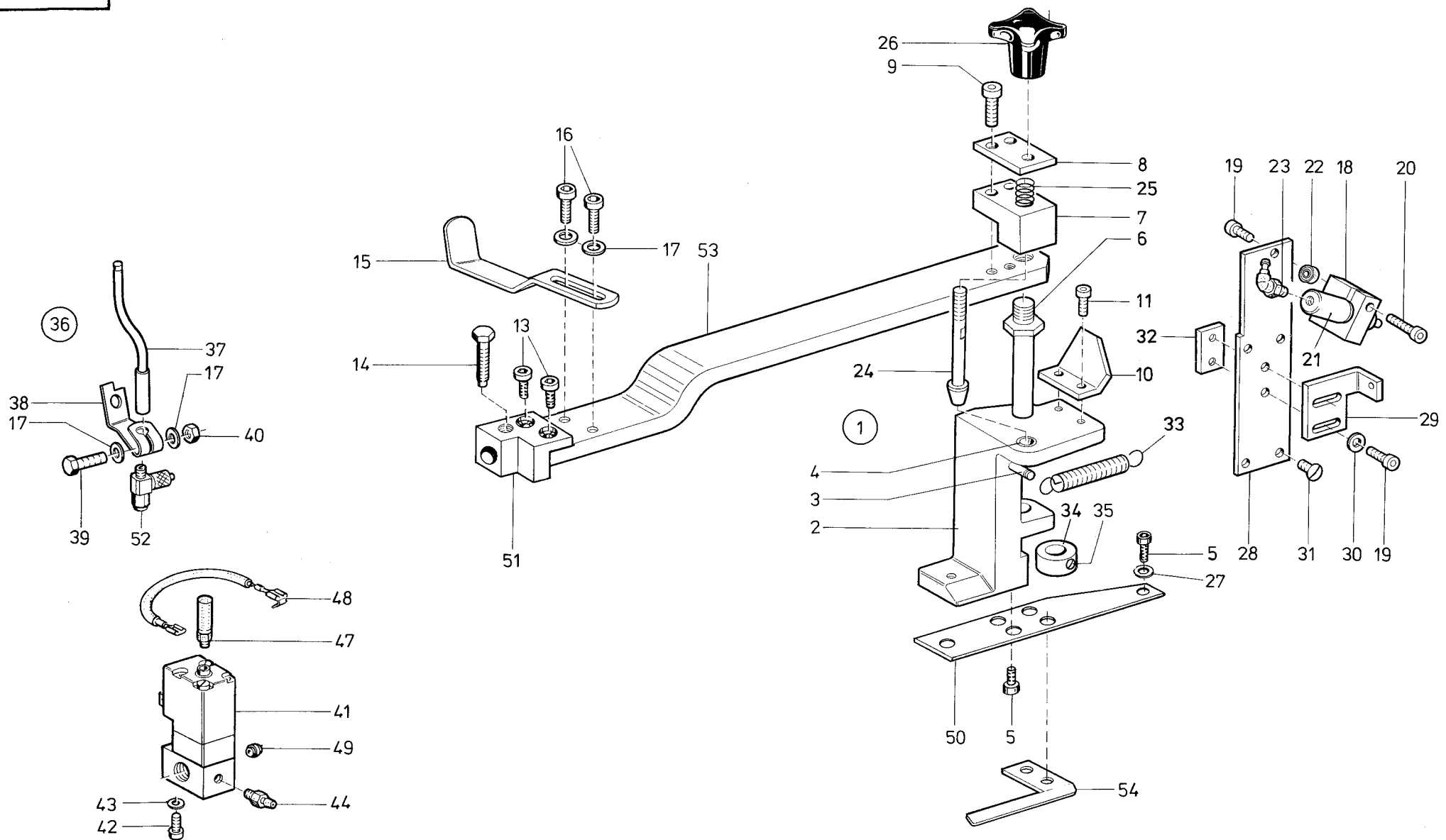
| Pos. Det. | Teile Nr. Part No. | Benennung | Denomination |
|-----------|--------------------|-----------|--------------|
|-----------|--------------------|-----------|--------------|



| Pos. Det. | Teile Nr. Part No. | Benennung | Denomination |
|-----------|--------------------|--------------------------------------------------|--------------------------------------------------------------|
| | | Teile der Klasse 935-246-41 | Parts of Class 935-246-41 |
| 1 | 246586 | Fadenfänger kpl. (best. aus Pos. 2 bis 17) | Thread gripping device cpl. (cons. of pos. 2 up to 17) |
| 2 | 246587 | Zylinder kpl. (mit Pos. 3 und 4) | Cylinder cpl. (with pos. 3 and 4) |
| 3 | 246348 | Lippenring | Lip seal |
| 4 | 246341 | Dichtung | Gasket |
| 5 | 746768 | Schl.-Verschr. | Hose coupling screw |
| 7 | 246359 | Halteblech | Holding plate |
| 8 | 246360 | Zyl.-Schraube | Cyl. head screw |
| 9 | 570118 | Scheibe | Washer |
| 10 | 246591 | Halter | Holder |
| 11 | 024275 | Scheibe | Washer |
| 12 | MG 8/7d | 6kt.-Mutter | Hexagonal nut |
| 13 | 911679a | Zyl.-Schraube | Cyl. head screw |
| 14 | 246593 | Führungsstück | Guide piece |
| 15 | 246596 | Feder | Spring |
| 16 | 246369 | Zyl.-Schraube | Cyl. head screw |
| 17 | 1005233 | Scheibe | Washer |
| 18 | 246594 | Messer, für 10 mm NA | Knife, for 10 mm ND |
| | 2462439 | Messer, für 12 und 14 mm NA | Knife, for 12 and 14 mm ND |
| | 2462441 | Messer, für 16 mm NA | Knife, for 16 mm ND |
| 19 | 242595 | Fadenfänger, für 10 mm NA | Thread catcher, for 10 mm ND |
| | 2462432 | Fadenfänger, für 12 und 14 mm NA | Thread catcher, for 12 and 14 mm ND |
| | 2462433 | Fadenfänger, für 16 mm NA | Thread catcher, for 16 mm ND |
| 20 | 246599 | Druckstück, für 10 mm NA | Pressure piece, for 10 mm ND |
| | 2462440 | Druckstück, für 12, 14, 16 mm NA | Pressure piece, for 12, 14, 16 mm ND |
| 21 | 7942415 | Anschlagbock | Stop block |
| 22 | 211496 | Zyl.-Schraube | Cyl. head screw |
| 23 | 10011162 | Verschlußkappe | Cap |
| 24 | 935100342 | Winkel | Angle |
| 25 | 911445 | Gewindestift | Threaded stud |
| 26 | 2113186 | 6kt.-Mutter | Hexagonal nut |
| 27 | 7395012 | Hutmutter | Cap nut |
| 28 | 935100471 | Fadenzieher kpl. (best. aus Pos. 29—40) | Thread puller cpl. (cons. of pos. 29—40) |

| Pos. Det. | Teile Nr. Part No. | Benennung | Denomination |
|-----------|--------------------|-----------------------------------------------------|------------------------------------------------------|
| 29 | 246527a | Zylinder kpl. (mit Pos. 31) | Cylinder cpl. (with pos. 31) |
| 30 | Z 111162 | Zyl.-Schraube | Cyl. head screw |
| 31 | 55614030 | Lippenring | Lip seal |
| 32 | 797413 | Drosselventil | Throttle valve |
| 33 | 246537 | Antriebshebel kpl. (mit Pos. 34, 35, 36) | Driver lever cpl. (with pos. 34, 35, 36) |
| 34 | 2658566 | Gewindestift | Threaded stud |
| 35 | 556669 | 6kt.-Mutter | Hexagonal nut |
| 36 | 570912 | Zyl.-Schraube | Cyl. head screw |
| 37 | 246546 | Achse | Axle |
| 38 | 935100488 | Fadenziehdraht | Thread pull wire |
| 39 | 246549 | Drehfeder | Torsion spring |
| 40 | 237624 | Zyl.-Schraube | Cyl. head screw |
| 41 | 246419 | Fadenführung | Thread guide |
| 42 | 531471 | Gewindestift | Threaded stud |
| 43 | 7942401 | Lichtschranke kpl. (best. aus Pos. 44 bis 72) | Light barrier cpl. (cons. of pos. 44 up to 72) |
| 44 | 7942404 | Leiste | Reglet |
| 45 | 7942405 | Halter | Holder |
| 46 | 7441509 | Zyl.-Schraube | Cyl. head screw |
| 47 | 2386530 | Zyl.-Schraube | Cyl. head screw |
| 48 | 2464153 | Leiste | Reglet |
| 49 | MG 8/7d | 6kt.-Schraube | Hexagonal screw |
| 50 | 90297 | Senkschraube | Countersunk screw |
| 51 | 2461116 | Blattfeder | Leaf spring |
| 52 | 2461117 | Platte | Plate |
| 53 | 7942424 | Halter kpl. (best. aus Pos. 54 bis 72) | Holder cpl. (cons. of pos. 54 up to 72) |
| 54 | 2464172 | Halter | Holder |
| 55 | 2464176 | Bolzen | Bolt |
| 56 | 73976 | Druckfeder | Pressure spring |
| 57 | 10019243 | Scheibe | Washer |
| 58 | 265138 | Sicher.-Ring | Circlip |
| 59 | 2652100 | Kugelknopf | Spherical button |
| 60 | 7942434 | Führungsstück | Guide piece |
| 61 | 2464183 | Führungsstück | Guide piece |
| 62 | 219353 | Linsenschraube | Fillister head screw |
| 63 | 7933508 | Senkschraube | Countersunk screw |
| 64 | 2464186 | Blattfeder | Leaf spring |
| 65 | 9441366 | Linsenschraube | Fillister head screw |
| 66 | 7972016 | Schlauchdüse | Hose nozzle |
| 67 | 2464187 | Platte | Plate |

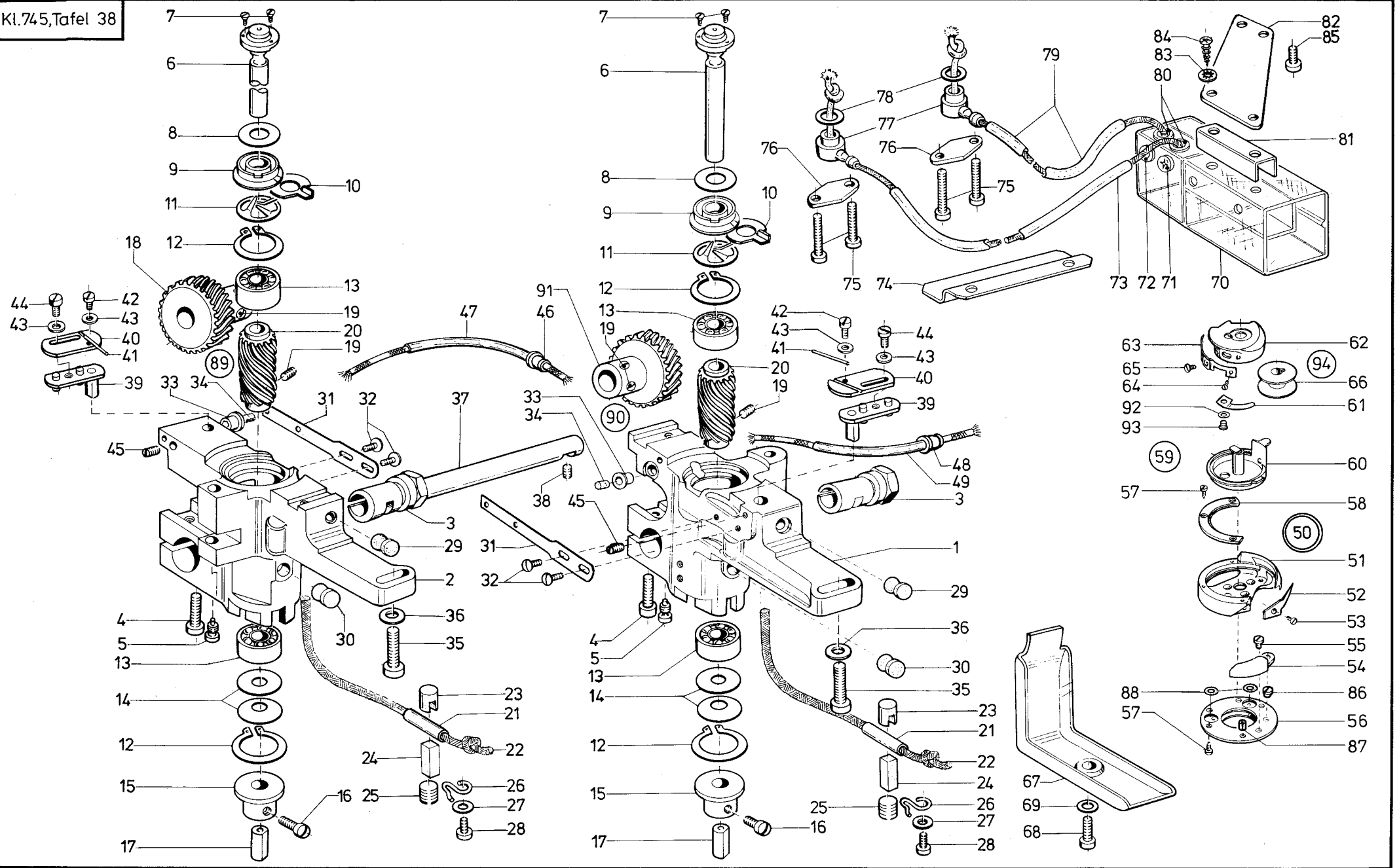
| Pos. Det. | Teile Nr. Part No. | Benennung | Denomination |
|-----------|--------------------|-----------------------|---------------------|
| 68 | 223700 | Zyl.-Schraube | Cyl. head screw |
| 69 | 5691895 | Scheibe | Washer |
| 70 | Z 133103 | Lichtschranke | Light barrier |
| 71 | 246372 | Kopfdeckel | Head cover |
| 72 | 551987 | Senkschraube | Countersunk screw |
| 73 | 7942452 | Führung, für 10 mm NA | Guide, for 10 mm ND |
| | 7942453 | Führung, für 12 mm NA | Guide, for 12 mm ND |
| | 7942454 | Führung, für 14 mm NA | Guide, for 14 mm ND |
| | 7942455 | Führung, für 16 mm NA | Guide, for 16 mm ND |
| | 7942457 | Führung, für 20 mm NA | Guide, for 20 mm ND |
| 74 | 2461049 | Zyl.-Schraube | Cyl. head screw |
| 75 | 2658566 | Gewindestift | Threaded stud |
| 76 | 2113028 | 6kt.-Mutter | Hexagonal nut |



| Pos. Det. | Teile Nr. Part No. | Benennung | Denomination |
|-----------|--------------------|---------------------------------------------------------------|--------------------------------------------------------------------|
| | | Teile der Klasse 935-246-41 | Parts of Class 935-246-41 |
| 1 | 935100552 | Stempelhalter kpl. (best. aus Pos. 2 bis 35, 50 bis 54) | Stamp holder cpl. (cons. of pos. 2 up to 35, 50 up to 54) |
| 2 | 935100553k | Bock kpl. (mit Pos. 3 und 4) | Block cpl. (with pos. 3 and 4) |
| 3 | 74640039 | Paßkerbstift | Grooved dowel pin |
| 4 | 935100553a | Buchse | Bushing |
| 5 | 246984 | Zyl.-Schraube | Cyl. head screw |
| 6 | 935100556 | Bolzen | Bolt |
| 7 | 935100558 | Lager | Bearing |
| 8 | 935100559 | Platte | Plate |
| 9 | 246130 | Zyl.-Schraube | Cyl. head screw |
| 10 | 935100560 | Winkel | Angle |
| 12 | 570912 | Zyl.-Schraube | Cyl. head screw |
| 13 | 2124909 | Zyl.-Schraube | Cyl. head screw |
| 14 | 74650495 | 6kt.-Schraube | Hexagonal screw |
| 15 | 246989 | Anschlag | Stop |
| 16 | 7441509 | Zyl.-Schraube | Cyl. head screw |
| 17 | 024275 | Scheibe | Washer |
| 18 | 7925767 | Klemmstück | Clamping piece |
| 19 | 7461033 | Zyl.-Schraube | Cyl. head screw |
| 20 | 74420778 | Zyl.-Schraube | Cyl. head screw |
| 21 | 246968 | Zylinder kpl. (mit Pos. 22) | Cylinder cpl. (with pos. 22) |
| 22 | 55614030 | Lippenring | Lip seal |
| 23 | 746768 | Stecknippel | Plug nipple |
| 24 | 935100581 | Bolzen | Bolt |
| 25 | 246320 | Druckfeder | Pressure spring |
| 26 | 7441559 | Sterngriff | Star grip |
| 27 | 557263 | Scheibe | Washer |
| 28 | 935100588 | Abdeckblech | Covering plate |
| 29 | 935100589 | Winkel | Angle |
| 30 | 5691895 | Scheibe | Washer |
| 31 | 10019130 | Linsenschraube | Fillister head screw |
| 32 | 5701228 | Gewindelasche | Threaded shackle |
| 33 | 558951 | Zugfeder | Draw spring |
| 34 | 570791 | Stellring kpl. (mit Pos. 35) | Set collar cpl. (with pos. 35) |
| 35 | 223646 | Gewindestift | Threaded stud |
| 36 | 2464301 | Nadelkühlung kpl. (best. aus Pos. 17, 23, 37 bis 49) | Needle cooling unit cpl. (cons. of pos. 17, 23, 37 up to 49) |

| Pos. Det. | Teile Nr. Part No. | Benennung | Denomination |
|-----------|--------------------|----------------|-------------------|
| 37 | 2464304 | Blasrohr | Blowing pipe |
| 38 | 2464311 | Halter | Holder |
| 39 | 702604 | 6kt.-Schraube | Hexagonal screw |
| 40 | MG 8/7d | 6kt.-Mutter | Hexagonal nut |
| 41 | 797331 | Magnetventil | Solenoid valve |
| 42 | 7441509 | Zyl.-Schraube | Cyl. head screw |
| 43 | 024275 | Scheibe | Washer |
| 44 | 7972016 | Schlauchtülle | Hose nozzle |
| 47 | Z 11649 | Schalldämpfer | Silencer |
| 48 | 74221623 | Leitung | Cable |
| 49 | 7443572 | Steckverbinder | Plug-in connector |
| 50 | 246983a | Blattfeder | Leaf spring |
| 51 | 246986 | Kloben | Block |
| 52 | 797411 | Drosselventil | Throttle valve |
| 53 | 935100557 | Leiste | Reglet |
| 54 | 935100587 | Schutzblech | Guard plate |

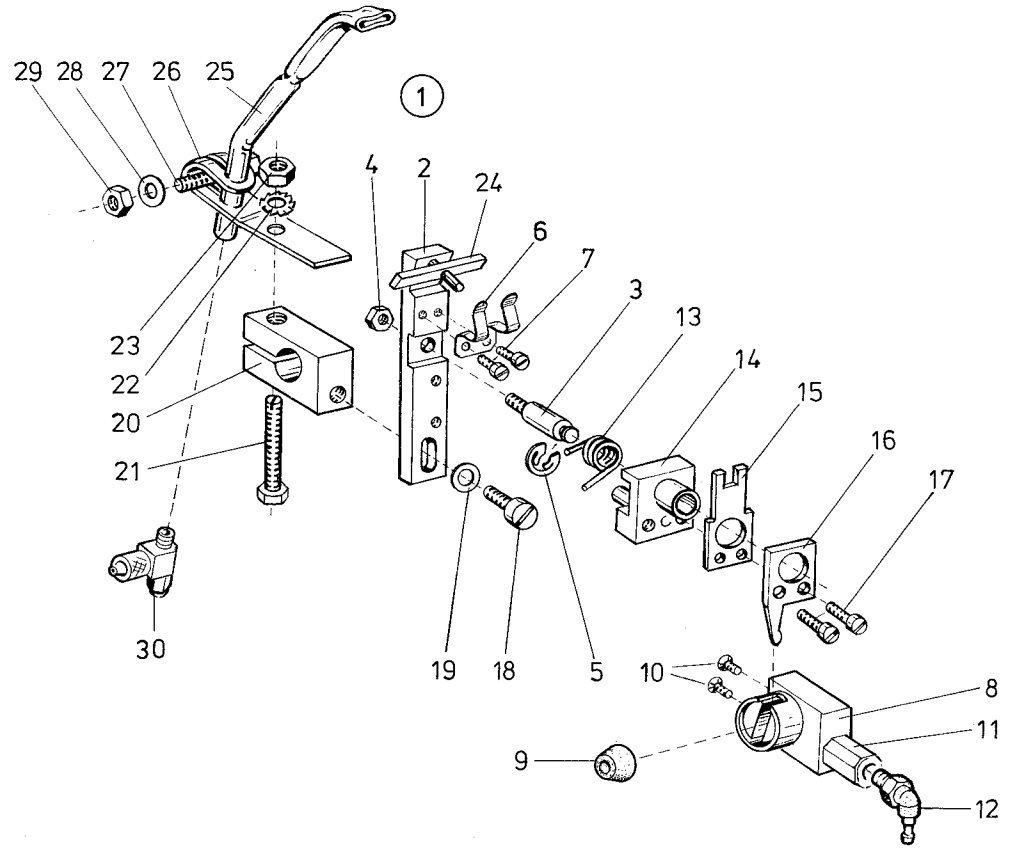
| Pos. Det. | Teile Nr. Part No. | Benennung | Denomination |
|-----------|--------------------|-----------|--------------|
|-----------|--------------------|-----------|--------------|



| Pos. Det. | Teile Nr. Part No. | Benennung | Denomination |
|------------------------------------|--------------------|-----------------------------------------------|--------------------------------------------------|
| Teile der Klasse 935-246-41 | | | |
| Parts of Class 935-246-41 | | | |
| 1 | 2463003 | Greifergehäuse kpl. (mit Pos. 3, 4, 5) rechts | Hook housing cpl. (with pos. 3, 4, 5) right hand |
| 2 | 2463004 | Greifergehäuse kpl. (mit Pos. 3, 4, 5) links | Hook housing cpl. (with pos. 3, 4, 5) left hand |
| 3 | 244677 | Exzenterbuchse | Eccentric bush |
| 4 | 650292 | Zyl.-Schraube | Cyl. head screw |
| 5 | 42036 | Zyl.-Schraube | Cyl. head screw |
| 6 | 244681 | Greiferwelle | Hook shaft |
| 7 | 244685 | Senkschraube | Countersunk screw |
| 8 | 244682 | Abstreifblech | Oil wiping plate |
| 9 | 211646a | Ölscheibe | Oil disc |
| 10 | 244684 | Scheibe | Washer |
| 11 | 265887 | Federscheibe | Spring washer |
| 12 | 21125 | Sicher.-Ring | Circlip |
| 13 | 21124 | Rillenkula. | Grooved ball bearing |
| 14 | 21127 | Tellerfeder | Cup spring |
| 15 | 246687 | Buchse kpl. (mit Pos. 16) | Bush cpl. (with pos. 16) |
| 16 | 21668a | Linsenschraube | Fillister head screw |
| 17 | 246690 | Druckstift | Pressure pin |
| 18 | 244707 | Schraubenrad kpl. (mit Pos. 19) | Helical gear wheel cpl. (with pos. 19) |
| 19 | 223237 | Gewindestift | Threaded stud |
| 20 | 244701 | Schraubenrad kpl. (mit Pos. 19) | Helical gear wheel cpl. (with pos. 19) |
| 21 | 265749 | Schlauch | Hose |
| 22 | 244803 | Docht | Oil wick |
| 23 | 265753 | Druckhülse | Pressure sleeve |
| 24 | 244724 | Druckstab | Pressure piece |
| 25 | 211634 | Schraube | Screw |
| 26 | 211635 | Arretierfeder | Arrester spring |
| 27 | 531460 | Scheibe | Washer |
| 28 | 10019128 | Zyl.-Schraube | Cyl. head screw |
| 29 | 219321 | Verschlußkappe | Cap |
| 30 | 10011162 | Verschlußkappe | Cap |
| 31 | 244773 | Dochthalterung | Wick holder |
| 32 | 10019130 | Linsenschraube | Fillister head screw |
| 33 | 244771 | Hülse | Sleeve |
| 34 | 244772 | Filz | Felt |
| 35 | 21131 | Zyl.-Schraube | Cyl. head screw |

| Pos. Det. | Teile Nr. Part No. | Benennung | Denomination |
|-----------|--------------------|----------------------------------------------------------------------|---------------------------------------------------------------------|
| 36 | 557263 | Scheibe | Washer |
| 37 | 244784 | Lagerbolzen | Bearing bolt |
| 38 | 2161146 | Gewindestift | Threaded stud |
| 39 | 244831 | Lasche | Shackle |
| 40 | 244834 | Halter kpl. (mit Pos. 41, 42, 43) | Holder cpl. (with pos. 41, 42, 43) |
| 41 | 244836 | Drahtstift | Wire pin |
| 42 | 70263 | Zyl.-Schraube | Cyl. head screw |
| 43 | 1005233 | Scheibe | Washer |
| 44 | 5561686 | Zyl.-Schraube | Cyl. head screw |
| 45 | 421222 | Gewindestift | Threaded stud |
| 46 | 21184k | Dochthalter kpl. | Wick holder cpl. |
| 47 | 244776 | Schlauch | Hose |
| 48 | 21183k | Dochthalter kpl. | Wick holder cpl. |
| 49 | 244778 | Schlauch | Hose |
| 50 | 935100751 | Greifer kpl. (best. aus Pos. 51 und 94) | Hook cpl. (cons. of pos. 51 und 94) |
| 51 | 2441022 | Greifer kpl. (mit Pos. 52, 53, 54, 55, 56, 57, 58, 86, 87, 88) | Hook cpl. (with pos. 52, 53, 54, 55, 56, 57, 58, 86, 87, 88) |
| 52 | 244968 | Greiferspitze | Hook tongue |
| 53 | 211921a | Schraube | Screw |
| 54 | 2441023 | Nadelschutz | Needle guard |
| 55 | 902428 | Zyl.-Schraube | Cyl. head screw |
| 56 | 2441027 | Ölring | Oil ring |
| 57 | 2441029 | Zyl.-Schraube | Cyl. head screw |
| 58 | 244970 | Greiferdeckel | Hook cover |
| 59 | 935100781 | Spul.-Geh. Oberteil kpl. (best. aus Pos. 61, 62, 63, 64, 65, 92, 93) | Upper bobbin casing cpl. (cons. of pos. 61, 62, 63, 64, 65, 92, 93) |
| 60 | 2463042 | Spul.-Geh. Unterteil | Lower bobbin casing |
| 61 | 2441037 | Bremsfeder | Brake spring |
| 62 | 935100782 | Spul.-Geh. Oberteil | Upper bobbin casing |
| 63 | 935100783 | Spann.-Feder | Tension spring |
| 64 | 211936 | Zyl.-Schraube | Cyl. head screw |
| 65 | 244992 | Regulierschraube | Adjusting screw |
| 66 | 2463058 | Spule | Bobbin |
| 67 | 935100741 | Ölfangschale | Oil tray |
| 68 | 902602 | Zyl.-Schraube | Cyl. head screw |
| 69 | 216157 | Dichtung | Gasket |
| 70 | 246821 | Ölbehälter | Oil box |
| 71 | 5563087 | Füllstopfen | Filling plug |
| 72 | 5563086 | Verschlußstopfen | Sealing plug |

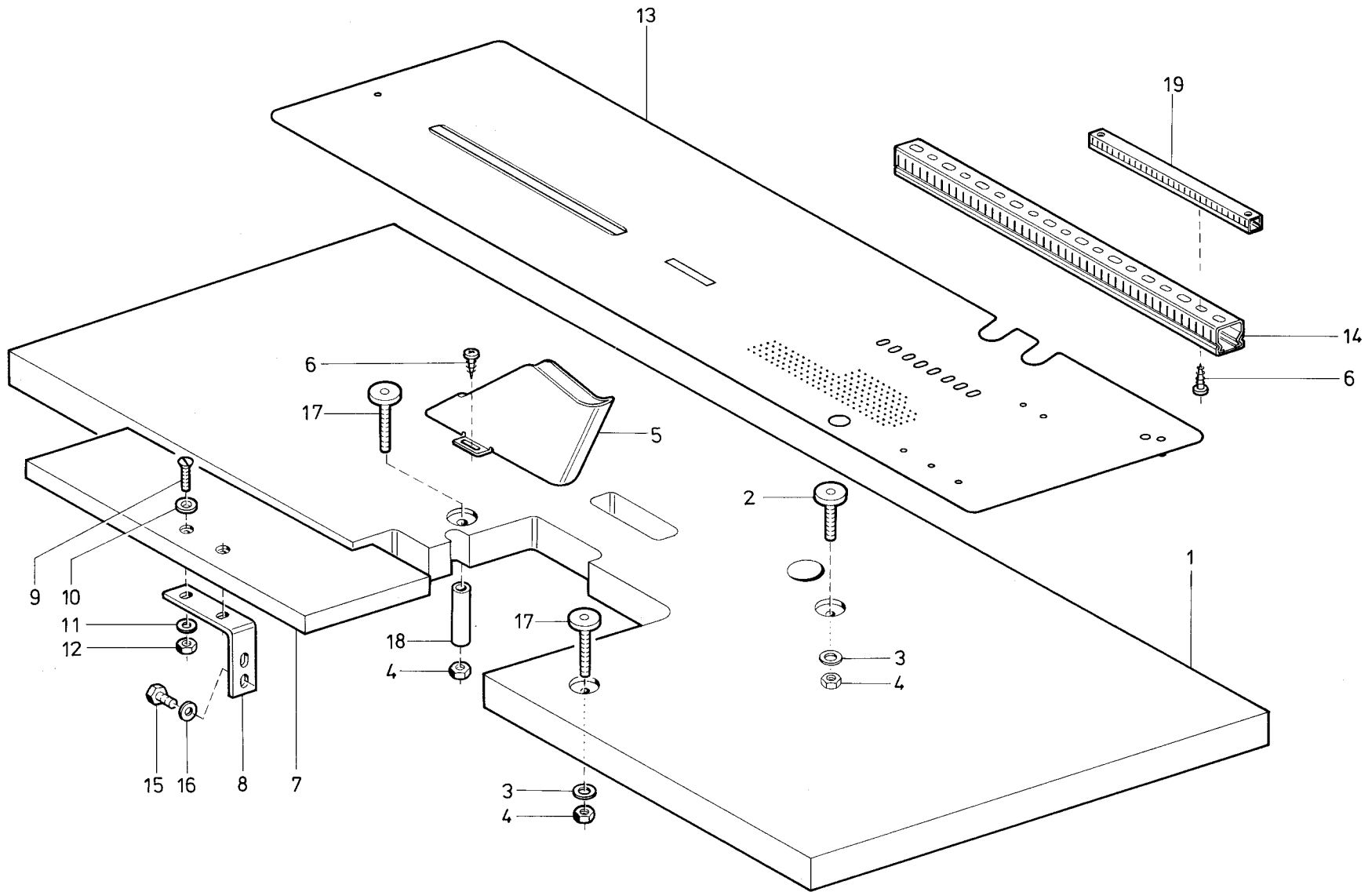
| Pos. Det. | Teile Nr. Part No. | Benennung | Denomination |
|-----------|--------------------|----------------------------------------------------------------|----------------------------------------------------------------------------|
| 73 | 93321883 | Schlauch | Hose |
| 74 | 244808 | Schutzblech | Guard plate |
| 75 | 21646 | Zyl.-Schraube | Cyl. head screw |
| 76 | 244796 | Lasche | Shackle |
| 77 | 244791 | Ölflansch | Oil flange |
| 78 | 244795 | Dichtung | Gasket |
| 79 | 244802 | Schlauch | Hose |
| 80 | 211806 | Verschlußkappe | Cap |
| 81 | 5563088 | Bef.-Stück | fastening piece |
| 82 | 246827 | Halteblech | Retaining plate |
| 83 | 739347 | Zahnscheibe | Tooth lock washer |
| 84 | 7441115 | Blechschrabe | Sheet metal screw |
| 85 | 223700 | Zyl.-Schraube | Cyl. head screw |
| 86 | 2441024 | Exzenter | Eccentric |
| 87 | 2441026 | Spannhülse | Clamping sleeve |
| 88 | 2441028 | Gummiring | Rubber ring |
| 89 | 244705 | Schraubenradpaar kpl. (best. aus Pos. 18, 19, 20) | Pair of wheels cpl. (cons. of pos. 18, 19, 20) |
| 90 | 244696 | Schraubenradpaar kpl. (best. aus Pos. 19, 20, 21) | Pair of wheels cpl. (cons. of pos. 19, 20, 21) |
| 91 | 244698 | Schraubenrad kpl. (mit Pos. 19) | Helical gear wheel cpl. (with pos. 19) |
| 92 | 246909b | Scheibe | Washer |
| 93 | 2441038 | Zyl.-Schraube | Cyl. head screw |
| 94 | 935100771 | Spul.-Geh. Ober- und Unterteil kpl. (best. aus Pos. 59 und 60) | Upper bobbin casing and lower bobbin casing cpl. (cons. of pos. 59 and 60) |



| Pos. Det. | Teile Nr. PartNo. | Benennung | Denomination |
|-----------|-------------------|-------------------------------------------------------|-----------------------------------------------------|
| | | Teile der Klasse 935-246-41 | Parts of Class 935-246-41 |
| 1 | 246922 | Fadenabschneider kpl. (best. aus Pos. 2 bis 30) | Thread cutter cpl. (cons. of pos. 2 up to 30) |
| 2 | 246923 | Aufnahmeleiste | Take-up reglet |
| 3 | 246927 | Bolzen | Bolt |
| 4 | 202704 | 6kt.-Mutter | Hexagonal nut |
| 5 | 255129 | Sicher.-Scheibe | Lock washer |
| 6 | 246930 | Blattfeder | Leaf spring |
| 7 | 739297 | Zyl.-Schraube | Cyl. head screw |
| 8 | 246931 | Zylinder kpl. (mit Pos. 9) | Cylinder cpl. (with pos. 9) |
| 9 | 246937 | Lippenring | Lip seal |
| 10 | 420324 | Senkschraube | Countersunk screw |
| 11 | 7462208 | Verb.-Stück | Connecting piece |
| 12 | 746768 | Schl.-Verschr. | Hose coupling screw |
| 13 | 246941 | Drehfeder | Torsion spring |
| 14 | 246942 | Aufnahmeplatte | Take-up plate |
| 15 | 246945 | Übertr.-Hebel | Transfer lever |
| 16 | 246946 | Hebel | Lever |
| 17 | 216120 | Zyl.-Schraube | Cyl. head screw |
| 18 | 2401027 | Zyl.-Schraube | Cyl. head screw |
| 19 | 557263 | Scheibe | Washer |
| 20 | 246951 | Klemmstück kpl. (mit Pos. 21) | Clamping piece cpl. (with pos. 21) |
| 21 | 5561653 | 6kt.-Schraube | Hexagonal screw |
| 22 | 211609 | Zahnscheibe | Tooth lock washer |
| 23 | MG 43/408 | 6kt.-Mutter | Hexagonal nut |
| 24 | 246955 | Keil (zu Messer) | Block (to knife) |
| 25 | 246959 | Tülle | Sleeve |
| 26 | 246960 | Halter | Holder |
| 27 | 2658878 | 6kt.-Schraube | Hexagonal screw |
| 28 | 024275 | Scheibe | Washer |
| 29 | 237202 | 6kt.-Mutter | Hexagonal nut |
| 30 | 797411 | Drosselventil | Throttle valve |

| Pos. Det. | Teile Nr. PartNo. | Benennung | Denomination |
|-----------|-------------------|-----------|--------------|
|-----------|-------------------|-----------|--------------|

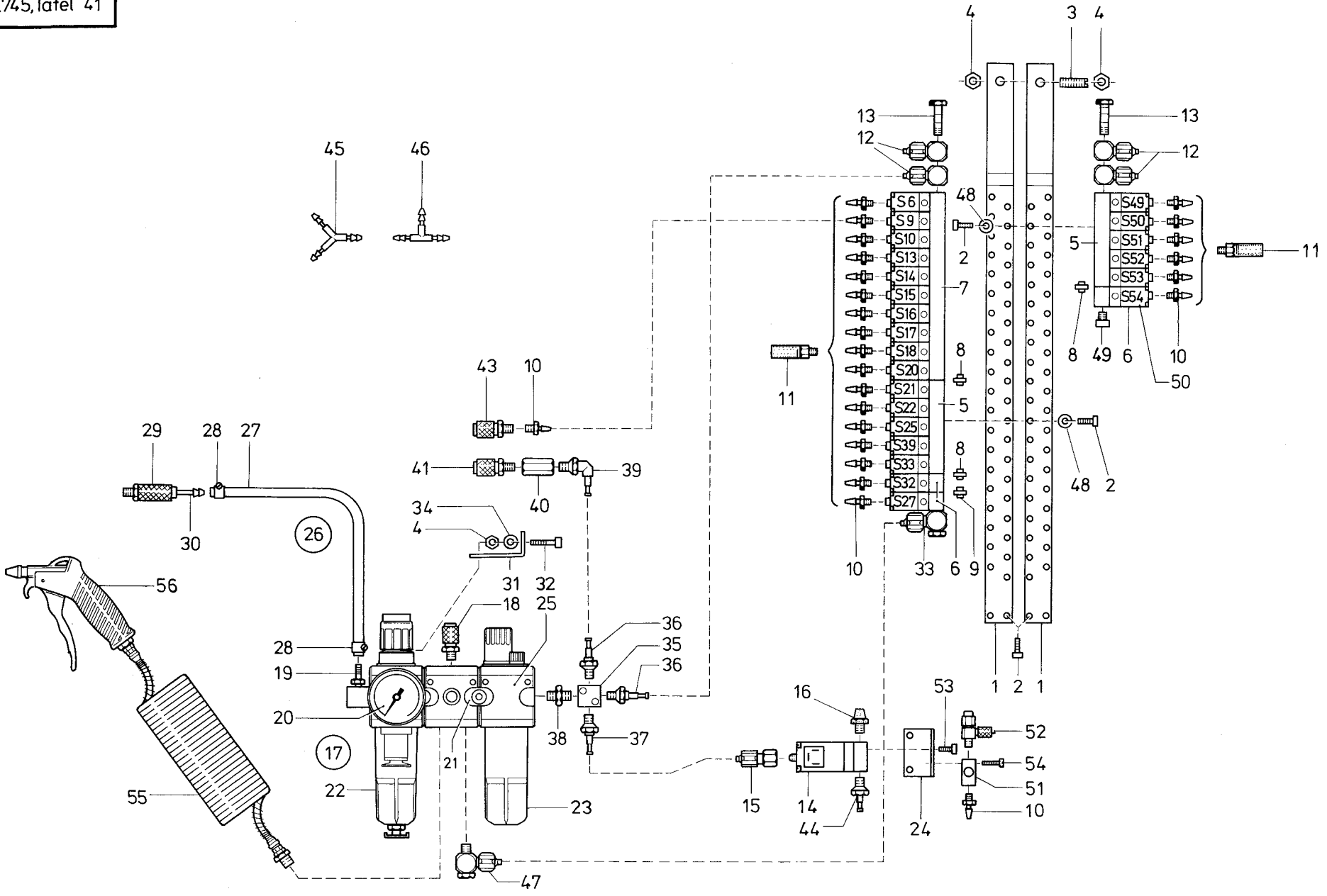
| Pos. Det. | Teile Nr. PartNo. | Benennung | Denomination |
|-----------|-------------------|-----------|--------------|
|-----------|-------------------|-----------|--------------|



| Pos. Det. | Teile Nr. Part No. | Benennung | Denomination |
|--------------|-----------------------|-----------------------------------------------|-----------------------------------------------------|
| 1 | 7005002 | Tischplatte | Table board |
| 2 | 74240188 | Spezialschraube | Special screw |
| 3 | 72043 | Scheibe | Washer |
| 4 | 72042a | 6kt.-Mutter | Hexagonal nut |
| 5 | 263761 | Riemenschutz | Belt guard |
| 6 | 713302 | Holzschraube | Wood screw |
| 7 | 7005003 | Ansatzplatte | Annexed plate |
| 8 | MG 50/1602 | Winkel | Angle |
| 9 | 7443324 | Senkschraube | Countersunk screw |
| 10 | 7441318 | Scheibe | Washer |
| 11 | 739595 | Scheibe | Washer |
| 12 | 74450244 | 6kt.-Mutter | Hexagonal nut |
| 13 | 7927401 | Gleitblech (für 8 und 10 mm Nadelabstand) | Sliding plate (for 8 and 10 mm needle distance) |
| | 7927408 | Gleitblech (für 12 und 14 mm Nadelabstand) | Sliding plate (for 12 and 14 mm needle distance) |
| | 7927411 | Gleitblech (für 16 mm Nadelabstand) | Sliding plate (for 16 mm needle distance) |
| | 7927414 | Gleitblech (für 20 mm Nadelabstand) | Sliding plate (for 20 mm needle distance) |
| 14 | 74450685 | Kabelkanal (an Pos. 1) | Cable duct (on pos. 1) |
| 15 | 556362 | 6kt.-Schraube | Hexagonal screw |
| 16 | 557263 | Scheibe | Washer |
| 17 | MG 50/1621 | Spezialschraube | Special screw |
| 18 | MG 50/1624 | Hülse | Sleeve |
| 19 | 746546 | Kabelkanal (an Pos. 1) | Cable duct (on pos. 1) |

| Pos. Det. | Teile Nr. Part No. | Benennung | Denomination |
|--------------|-----------------------|-----------|--------------|
|--------------|-----------------------|-----------|--------------|

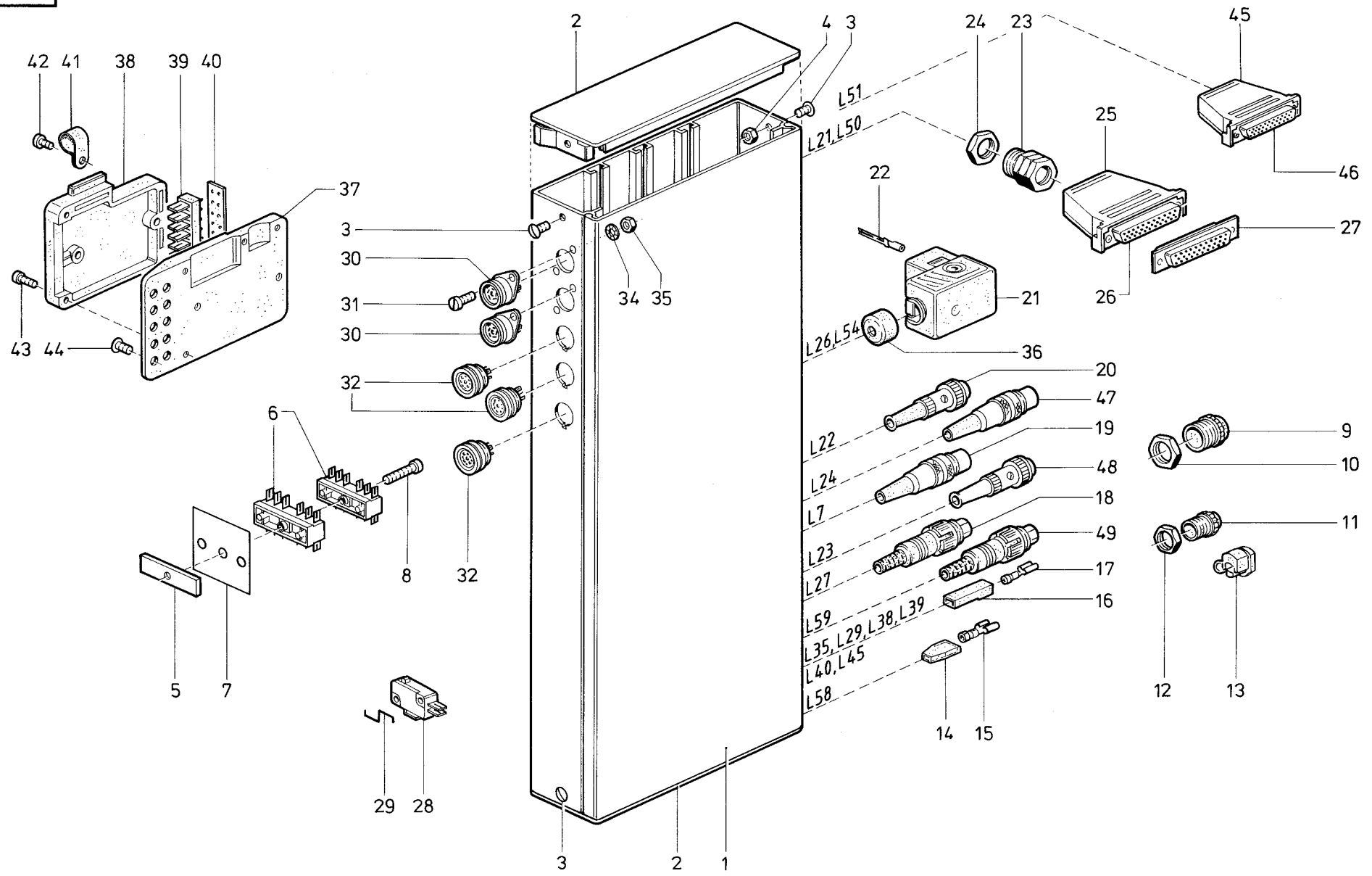
| Pos. Det. | Teile Nr. Part No. | Benennung | Denomination |
|--------------|-----------------------|-----------|--------------|
|--------------|-----------------------|-----------|--------------|



| Pos. Det. | Teile Nr. Part No. | Benennung | Denomination |
|-----------|--------------------|---------------------------------------------------------------------------------|---------------------------------------------------------------------------------------|
| | | Pneumatikteile | Pneumatic Parts |
| 1 | 79751058 | Leiste | Reglet |
| 2 | 7441509 | Zyl.-Schraube | Cyl. head screw |
| 3 | Z 111807 | Gewindestift | Threaded stud |
| 4 | 72042a | 6kt.-Schraube | Hexagonal screw |
| 5 | 797335 | Magnetventil | Solenoid valve |
| 6 | 797331 | Magnetventil | Solenoid valve |
| 7 | 797340 | Magnetventil | Solenoid valve |
| 8 | 7443572 | Steckverbindung | Plug connection |
| 9 | 7973017 | Trennstopfen | Divider plug |
| 10 | 7972016 | Schlauchtülle | Hose nozzle |
| 11 | Z 11649 | Schalldämpfer | Silencer |
| 12 | 7972333 | Ringstück | Ring piece |
| 13 | Z 120712 | Hohlschraube | Hollow screw |
| 14 | 797317 | Magnetventil | Solenoid valve |
| 15 | 7972015 | Schl.-Verschr. | Hose coupling screw |
| 16 | 7973193 | Schalldämpfer | Silencer |
| 17 | 79750841 | Wartungseinheit kpl. (best. aus Pos. 18 bis 23, 25, 31, 34 bis 38, 47) | Conditioning unit cpl. (cons. of pos. 18 up to 23, 25, 31, 34, up to 38, 47) |
| 18 | 7441793a | Schl.-Kupplung | Hose coupling |
| 19 | 7441796 | Tülle | Socket |
| 20 | 797926 | Manometer | Manometer |
| 21 | 797925 | Koppelpaket | Coupler set |
| 22 | 797922 | Wasserbehälter | Water box |
| 23 | 797923 | Ölbehälter | Oil box |
| 24 | 798124903 | Winkel | Angle |
| 25 | 797891 | Öler | Oiler |
| 26 | 7973031 | Druckleitung kpl. (best. aus Pos. 27 bis 30) | Pressure pipe cpl. (cons. of pos. 27 up to 30) |
| 27 | 7441792a | Schlauch | Hose |
| 28 | 7426195 | Schlauchklemme | Hose clip |
| 29 | 7441793a | Kupplungsdose | Coupling socket |
| 30 | 7441793b | Kuppl.-Stecker | Coupler plug |
| 31 | 7462024 | Winkel | Angle |
| 32 | 7425098 | Zyl.-Schraube | Cyl. head screw |
| 33 | 7443403 | Winkelstück | Supporting angle piece |
| 34 | 72043 | Scheibe | Washer |
| 35 | 7449491 | Verteiler | Distributor |
| 36 | 7441816 | Schl.-Verschr. | Hose coupling screw |
| 37 | 74423566 | Schl.-Verschr. | Hose coupling screw |
| 38 | 7441922 | Doppelnippel | Double nipple |

| Pos. Det. | Teile Nr. Part No. | Benennung | Denomination |
|-----------|--------------------|---------------------------------------------------------|-----------------------------------------------------------------------|
| 39 | 7443566 | Schl.-Verschr. | Hose coupling screw |
| 40 | 7442528 | Muffe | Socket |
| 41 | 7449802 | Kupplungsdose | Coupling socket |
| 43 | 7449801 | Kupplungsdose | Coupling socket |
| 44 | 7422238 | Schl.-Verschr. | Hose coupling screw |
| 45 | 79722201 | Y-Verbindung | Y-Connection |
| 46 | 7972627 | T-Verbindung | T-Connection |
| 47 | 7441974 | Schl.-Verschr. | Hose coupling screw |
| 48 | 024275 | Scheibe | Washer |
| 49 | P 12159 | Zyl.-Schraube | Cyl. head screw |
| 50 | 797322 | Magnetventil, ohne Montageplatte (nur für Ersatz) | Solenoid valve, with- out mounting plate (for replacement only) |
| 51 | 55614291 | Ventil | Valve |
| 52 | 797411 | Drosselventil | Throttle valve |
| 53 | 7461033 | Zyl.-Schraube | Cyl. head screw |
| 54 | 246369 | Zyl.-Schraube | Cyl. head screw |
| 55 | 7973063 | Spiralschlauch | Special hose |
| 56 | 7449516 | Blaspistole | Blowin pipe |

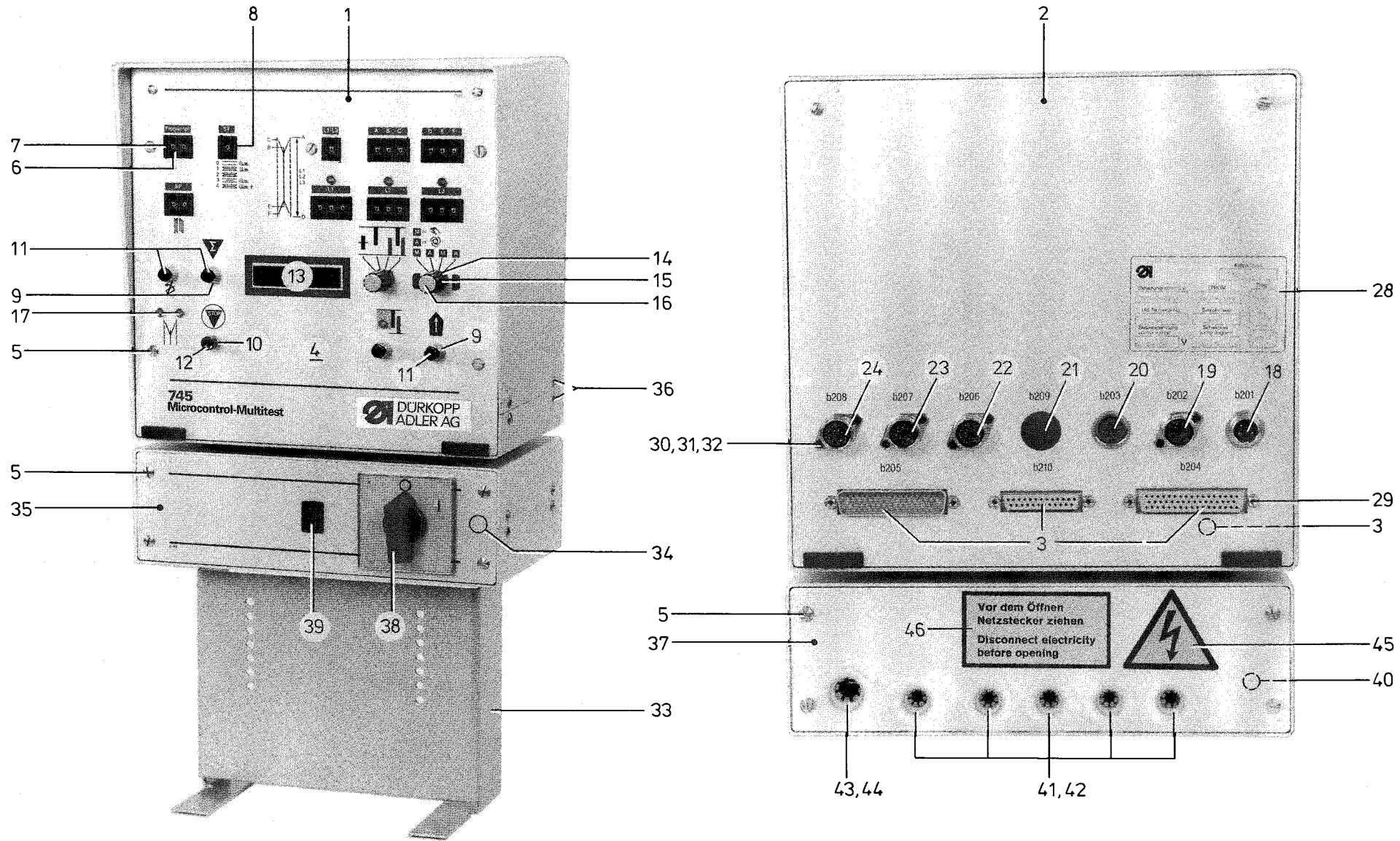
| Pos. Det. | Teile Nr. Part No. | Benennung | Denomination |
|-----------|--------------------|-----------|--------------|
|-----------|--------------------|-----------|--------------|



| Pos. Det. | Teile Nr. Part No. | Benennung | Denomination |
|-----------|--------------------|--------------------|------------------------|
| | | Verteiler | Distributor |
| 1 | 798202603 | Installationskanal | Installation conduit |
| 2 | 798202804 | Endstück | End piece |
| 3 | 10019130 | Linsenschraube | Fillister head screw |
| 4 | 202704 | 6kt.-Mutter | Hexagonal nut |
| 5 | 74240824 | Gewindeschiene | Threaded rail |
| 6 | 7465018 | Steckleiste | Multipole connector |
| 7 | 7465020 | Bez.-Schild | Name plate |
| 8 | MG 41/4571 | Zyl.-Schraube | Cyl. head screw |
| 9 | 7442088 | Würgenippel | Twist nipple |
| 10 | 7422699 | 6kt.-Mutter | Hexagonal nut |
| 11 | MG 41/8472 | Würgenippel | Twist nipple |
| 12 | MG41/8473 | 6kt.-Mutter | Hexagonal nut |
| 13 | 798221002 | Durchführung | Cable duct |
| 14 | 74424346 | Isoliertülle | Isolating covering |
| 15 | 742804 | Flachsteckhülse | Panel connector sleeve |
| 16 | 798101021 | Schutzkappe | Isolating covering |
| 17 | Z 10010249 | Flachsteckhülse | Panel connector sleeve |
| 18 | 74428914 | Kupplung | Coupler |
| 19 | 798481241 | Stecker | Plug |
| 20 | 7444872 | Stecker | Plug |
| 21 | 798480902 | Winkelkontakträger | Contact carrier |
| 22 | 798480904 | Gabelkontakt | Fork contact |
| 23 | 7421535 | Kabelverschr. | Cable coupling screw |
| 24 | 7442207 | 6kt.-Mutter | Hexagonal nut |
| 25 | 798481658 | Steckgehäuse | Connector shell |
| 26 | 798481653 | Stiftleiste | Plug |
| 27 | 798481652 | Buchsenleiste | Socket |
| 28 | 739878 | Mikroschalter | Micro switch |
| 29 | 74221574 | Sicher.-Bügel | Safety wire |
| 30 | 7444744 | Flanschsteckdose | Flange socket |
| 31 | 74423855 | Zyl.-Schraube | Cyl. head screw |
| 32 | 798481242 | Flanschdose | Flange socket |
| 34 | 739298 | Zahnscheibe | Tooth lock washer |
| 35 | 2912814 | 6kt.-Mutter | Hexagonal nut |
| 36 | 798480903 | Staubkappe | Dust cap |
| 37 | 798140055 | Gehäuse | Housing |
| 38 | 798140056 | Deckel | Covering |
| 39 | 798240218 | Steckleiste | Multipole connector |
| 40 | 798440001 | Leiterplatte | Printed board assembly |
| 41 | Z 113290 | Schelle | Clip |
| 42 | 739297 | Zyl.-Schraube | Cyl. head screw |
| 43 | 1001360 | Zyl.-Schraube | Cyl. head screw |
| 44 | 219353 | Linsenschraube | Fillister head screw |

| Pos. Det. | Teile Nr. Part No. | Benennung | Denomination |
|-----------|--------------------|--------------|-----------------|
| 45 | 798481671 | Steckgehäuse | Connector shell |
| 46 | 798481672 | Stiftleiste | Plug |
| 47 | 798481241 | Stecker | Plug |
| 48 | 798481024 | Stecker | Plug |
| 49 | 74611551 | Kupplung | Coupler |

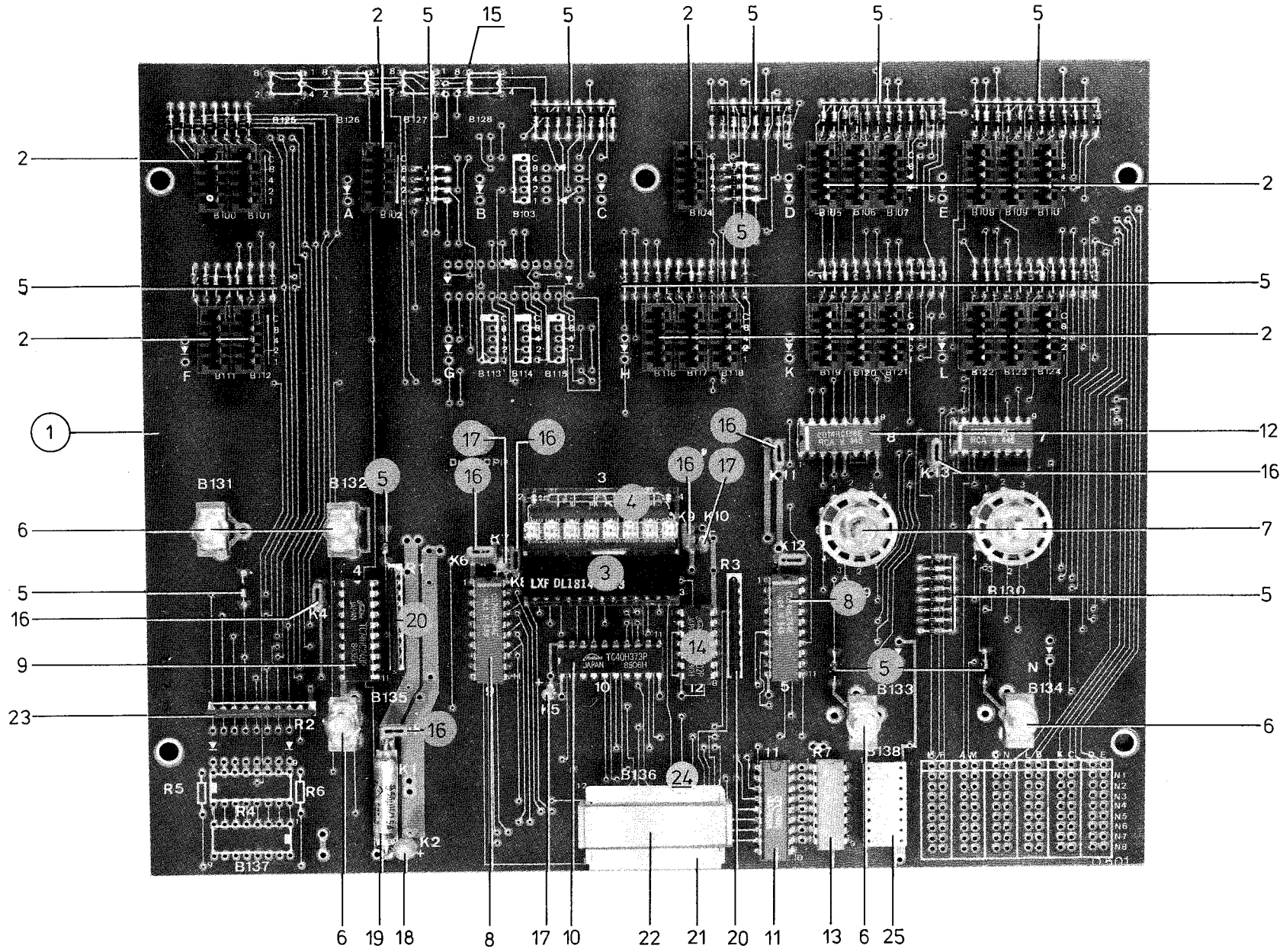
| Pos. Det. | Teile Nr. Part No. | Benennung | Denomination |
|-----------|--------------------|-----------|--------------|
|-----------|--------------------|-----------|--------------|



| Pos. Det. | Teile Nr. Part No. | Benennung | Denomination |
|-----------|--------------------|----------------------------|------------------------------|
| | | Steuergerät | Control Instrument |
| | 798740141 | Steuergerät kpl. | Control instrument cpl. |
| 1 | 798740143 | Frontplatte kpl. | Front plate cpl. |
| 2 | 798149007 | Rückwand | Back panel |
| 3 | 798149004 | Verdrahtung kpl. | Installation cpl. |
| 4 | 798448012 | Frontplatte | Front plate |
| 5 | 798122596 | Linsenschraube | Fillister head screw |
| 6 | 798422411 | Codierschalter | Code switch |
| 7 | 798422412 | Endkappe, links | Cover cap, left hand |
| 8 | 798422413 | Endkappe, rechts | Cover cap, right hand |
| 9 | Z 10011259 | Überwurfmutter | Compression nut |
| 10 | Z 10011226 | Überwurfmutter | Compression nut |
| 11 | Z 10011260 | Kappe, schwarz | Key top, black |
| 12 | 798420066 | Kappe, rot | Key top, red |
| 13 | 798163604 | Sichtscheibe | Sight glass |
| 14 | 7444574 | Pfeilscheibe | Arrow disc |
| 15 | 7444571 | Drehknopf | Control knob |
| 16 | 7444572 | Abschlußdeckel | Sealing cover |
| 17 | 798163004 | Leuchtdiode | LED yellow |
| 18 | 798481229 | Flanschstecker | Flange plug |
| 19 | 7422656 | Flanschdose | Flange socket |
| 20 | 798481242 | Flanschdose | Flange socket |
| 21 | 798220507 | Abdeckkappe | Covering cap |
| 22 | 798481025 | Flanschdose | Flange socket |
| 23 | 7444744 | Flanschdose | Flange socket |
| 24 | 798481022 | Flanschdose | Flange socket |
| 28 | 798446167 | Typenschild | Type plate |
| 29 | 798481659 | Verriegelung | Locking device |
| 30 | 55860 | Zyl.-Schraube | Cyl. head screw |
| 31 | 739298 | Zahnscheibe | Tooth lock washer |
| 32 | 2912814 | 6kt.-Mutter | Hexagonal nut |
| 33 | 798124912 | Halter | Holder |
| 34 | 798700266 | Hauptschalter kpl. | Main switch cpl. |
| 35 | 798149015 | Frontplatte | Front plate |
| 36 | 798122564 | Linsenschraube | Fillister head screw |
| 37 | 798149016 | Rückwand | Back panel |
| 38 | 798426049 | Hauptschalter | Main switch |
| 39 | 798283001 | Leuchte | Lamp |
| 40 | 798241018 | Klemmleiste | Clamping reglet |
| 41 | 798220082 | Kabelverschraubung | Pressure screw |
| 42 | 798220622 | 6kt.-Mutter, zu Pos. 41 | Hexagonal nut, to pos. 41 |
| 43 | 798497 | Kabelverschraubung | Pressure screw |

| Pos. Det. | Teile Nr. Part No. | Benennung | Denomination |
|-----------|--------------------|----------------------------|------------------------------|
| 44 | 798498 | 6kt.-Mutter, zu Pos. 43 | Hexagonal nut, to pos. 43 |
| 45 | 74450299 | Abziehbild | Transfer picture |
| 46 | 74450300 | Abziehbild | Transfer picture |

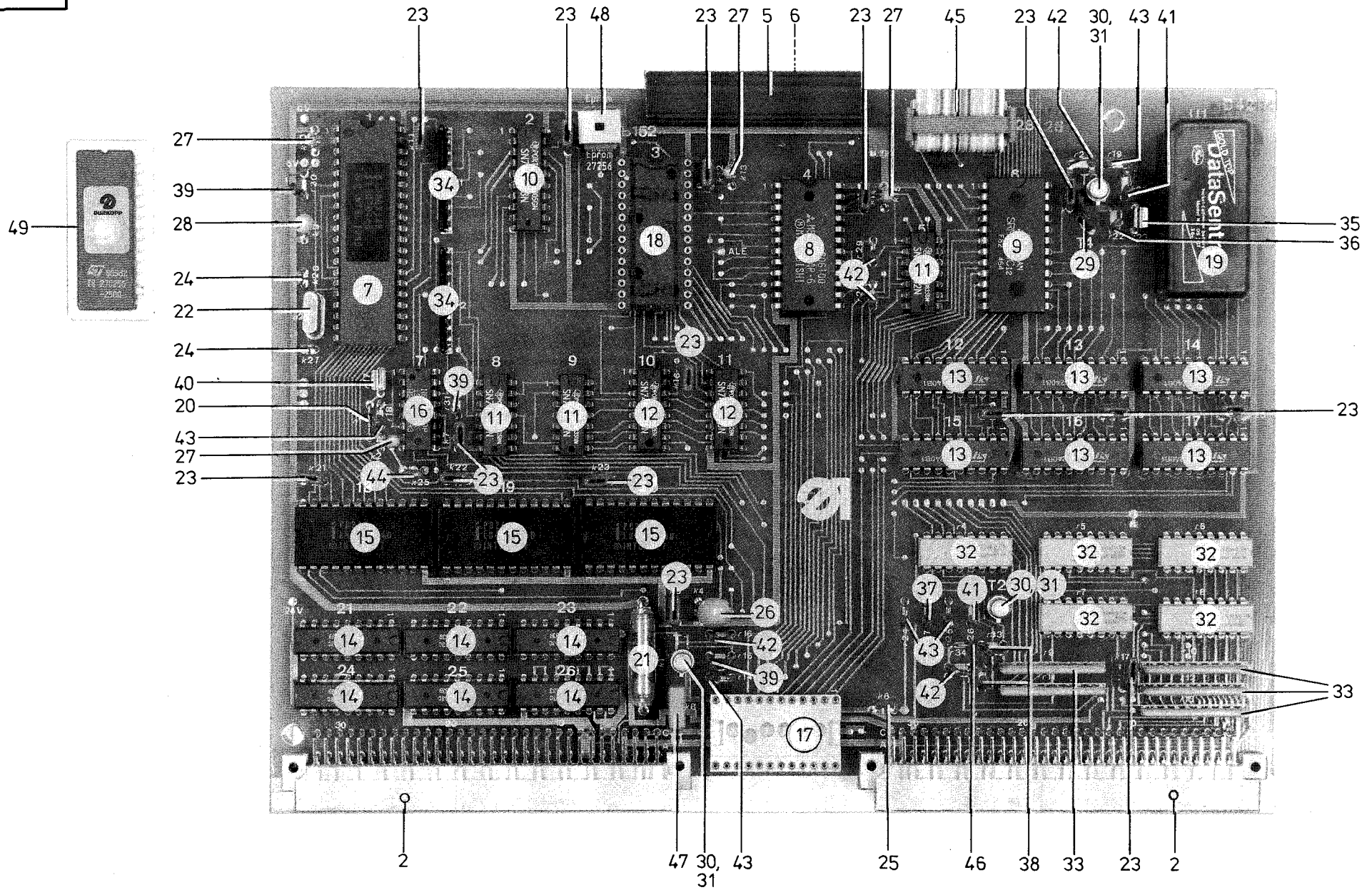
| Pos. Det. | Teile Nr. Part No. | Benennung | Denomination |
|-----------|--------------------|-----------|--------------|
|-----------|--------------------|-----------|--------------|



| Pos. Det. | Teile Nr. Part No. | Benennung | Denomination |
|-----------|--------------------|--------------------------|--------------------------------|
| | | Steuergerät | Control Instrument |
| 1 | 798180171 | Leiterplatte kpl. | Printed circuit cpl. |
| 2 | 798422414 | Steckerleiste | Multipole connector |
| 3 | 798163603 | Anzeige, 8stellig | Display |
| 4 | 798167504 | Sockelstreifen | Base strip, for display |
| 5 | 798160207 | Diode BAW 76 | Diode BAW 76 |
| 6 | Z 10011255 | Tastschalter | Push button switch |
| 7 | 74423952 | Stufenschalter | Multipole contact switch |
| 8 | 798167115 | IC-Buffer 74 HC 244 | IC-Buffer 74 HC 244 |
| 9 | 798167114 | IC-Buffer 74 HC 240 | IC-Buffer 74 HC 240 |
| 10 | 798167111 | IC-Latch 74 HC 373 | IC-Latch 74 HC 373 |
| 11 | 798166510 | IC-8 x Treiber L 603 | IC-8 x Darlington-Array L 603 |
| 12 | 798167113 | IC-Dec 74 HC 138 | IC-Dec 74 HC 138 |
| 13 | 798522199 | Widerst.-Array 270 R | Resistor array 270 R |
| 14 | 798167116 | IC-NOR 74 HC 02 | Quad 2 input NOR Gate 74 HC 02 |
| 15 | 798422416 | Codierschalter (o. Abb.) | Code switch (back side) |
| 16 | 74461153 | Kondensator 100 mF | Capacitor 100 mF |
| 17 | 7462623 | Kondensator 1 µF/35 V | Capacitor 1 µF/35 V |
| 18 | Z 10010435 | Kondensator 35 µF | Capacitor 35 µF |
| 19 | 798268024 | Induktivität | Inductance |
| 20 | 798523510 | Widerst.-Array 100 K | Resistor array 100 K |
| 21 | 798357502 | Flachleitung | Flat cable |
| 22 | 798483208 | Verriegelungsbügel | Locking device |
| 23 | 798523010 | Widerst.-Array 10 K | Resistor array 10 K |
| 24 | 798483207 | DIL-Fassung | DIL-base |
| 25 | 798483201 | DIL-Fassung | DIL-base |

| Pos. Det. | Teile Nr. Part No. | Benennung | Denomination |
|-----------|--------------------|-----------|--------------|
|-----------|--------------------|-----------|--------------|

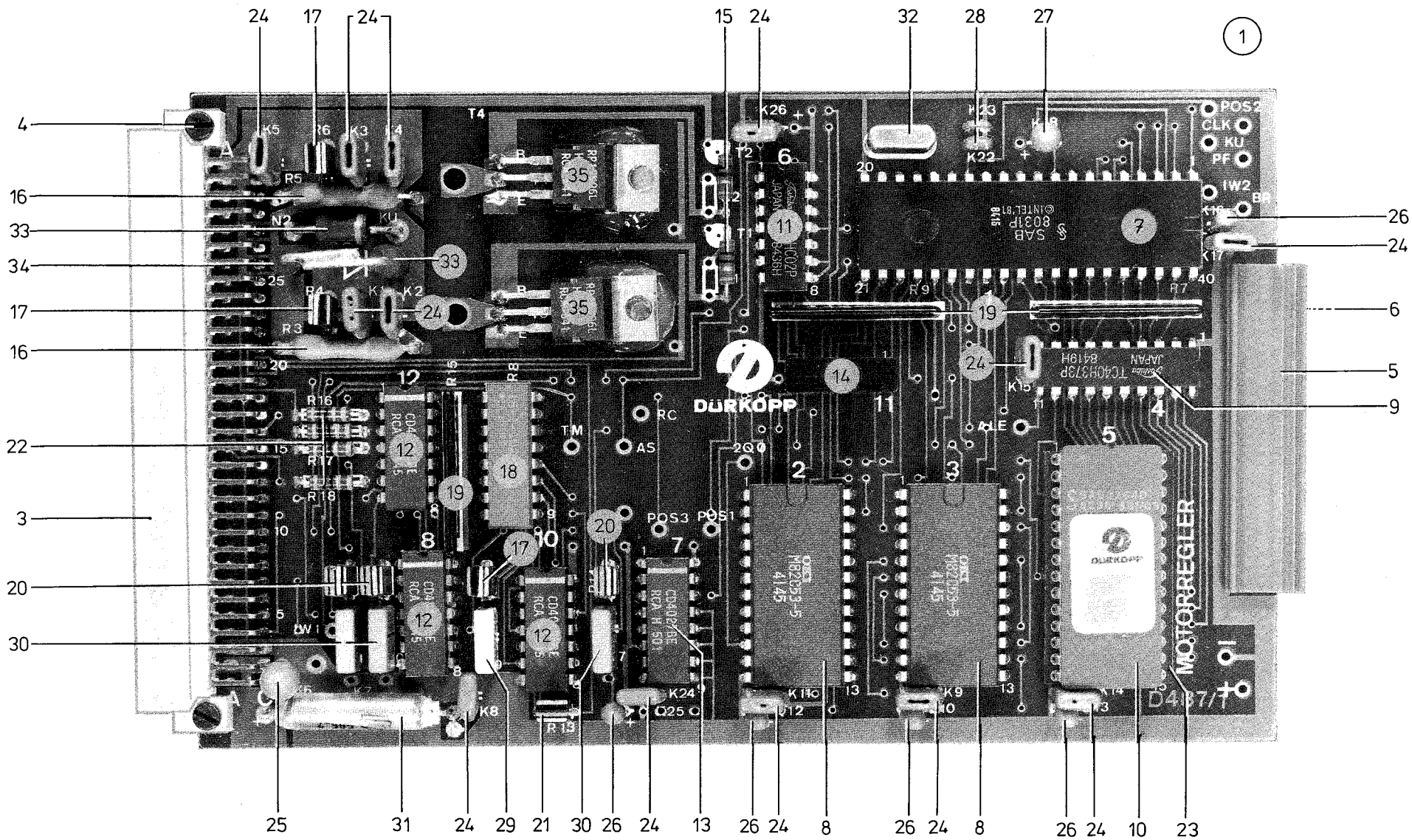
| Pos. Det. | Teile Nr. Part No. | Benennung | Denomination |
|-----------|--------------------|-----------|--------------|
|-----------|--------------------|-----------|--------------|



| Pos. Det. | Teile Nr. Part No. | Benennung | Denomination |
|-----------|--------------------|------------------------|----------------------|
| 1 | 798180111 | Leiterplatte kpl. | Printed circuit |
| 2 | 798483112 | Steckleiste | Multipole connector |
| 5 | 74461117 | Griffleiste | Grip ledge |
| 6 | 798446172 | Bez. Streifen | Marking strip |
| 7 | 798167007 | IC-8031 uP | IC-8031 uP |
| 8 | 798167128 | IC-82 C 53/54 Timer | IC-82 C 53/54 Timer |
| 9 | 798167110 | IC-6116 RAM | IC-6116 RAM |
| 10 | 798167111 | IC-74 HC 373 Latch | IC-74 HC 373 Latch |
| 11 | 798167112 | IC-74 HC 32-OR | IC-74 HC 32-OR |
| 12 | 798167113 | IC-74 HC 138-Dec. | IC-74 HC 138-Dec. |
| 13 | 798167114 | IC-74 HC 240-Buf. | IC-74 HC 240-Buf. |
| 14 | 798166510 | IC-L 603 Darl.-Arr. | IC-L 603 Darl.-Arr. |
| 15 | 798167004 | IC-8243 I/O Port | IC-8243 I/O Port |
| 16 | 798167104 | IC-4049 Hex.-Inv. | IC-4049 Hex.-Inv. |
| 17 | 798483207 | DIL-Sockel | DIL-base |
| 18 | 798167505 | DIL-Sockel | DIL-base |
| 19 | 7412600 | Akkumulator | Accumulator |
| 20 | 798160207 | Diode BAW 76 | Diode BAW 76 |
| 21 | 798268024 | Induktivität | Inductance |
| 22 | 798167951 | Quarz | Crystal |
| 23 | 74461153 | Kondensator 100 nF | Capacitor 100 nF |
| 24 | 798262071 | Kondensator 22 pF | Capacitor 22 pF |
| 25 | 798262597 | Kondensator 220 nF | Capacitor 220 nF |
| 26 | 798261047 | Kondensator 47 uF/35 V | Capacitor 47 uF/35 V |
| 27 | 7462623 | Kondensator 1 uF/35 V | Capacitor 1 uF/35 V |
| 28 | 74461147 | Kondensator 10 uF/35 V | Capacitor 10 uF/35 V |
| 29 | 74412609 | Transistor BC 177 A | Transistor BC 177 A |
| 30 | 74412497 | Transistor BCY 59 | Transistor BCY 59 |
| 31 | 74413136 | Transistorhalter | Transistor holder |
| 32 | 798523009 | Widerst.-Array 10 k | Resistor array 10 k |
| 33 | 798522670 | Widerst.-Array 2k2 | Resistor array 2k2 |
| 34 | 798523250 | Widerst.-Array 33 k | Resistor array 33 k |
| 35 | 798522322 | Widerstand 47 OR | Resistor 47 OR |
| 36 | 798522441 | Widerstand 82 OR | Resistor 82 OR |
| 37 | 798522822 | Widerstand 4k7 | Resistor 4k7 |
| 38 | 798522942 | Widerstand 8k2 | Resistor 8k2 |
| 39 | Z 151313 | Widerstand 10 k | Resistor 10 k |
| 40 | 798523082 | Widerstand 15 k | Resistor 15 k |
| 41 | 798523162 | Widerstand 22 k | Resistor 22 k |
| 42 | 798523242 | Widerstand 33 k | Resistor 33 k |
| 43 | 798523502 | Widerstand 100 k | Resistor 100 k |
| 44 | 798262396 | Kondensator 10 nF | Capacitor 10 nF |
| 45 | 798483201 | DIL-Sockel | DIL-base |
| 46 | 798522502 | Widerstand 1 k | Resistor 1 k |
| 47 | 74423939 | Kondensator 0,33 µF | Capacitor 0,33 µF |

| Pos. Det. | Teile Nr. Part No. | Benennung | Denomination |
|-----------|--------------------|-----------------|--------------|
| 48 | 798422601 | Schalter | Switch |
| 49 | 798740144 P | Baustein progr. | Module unit |

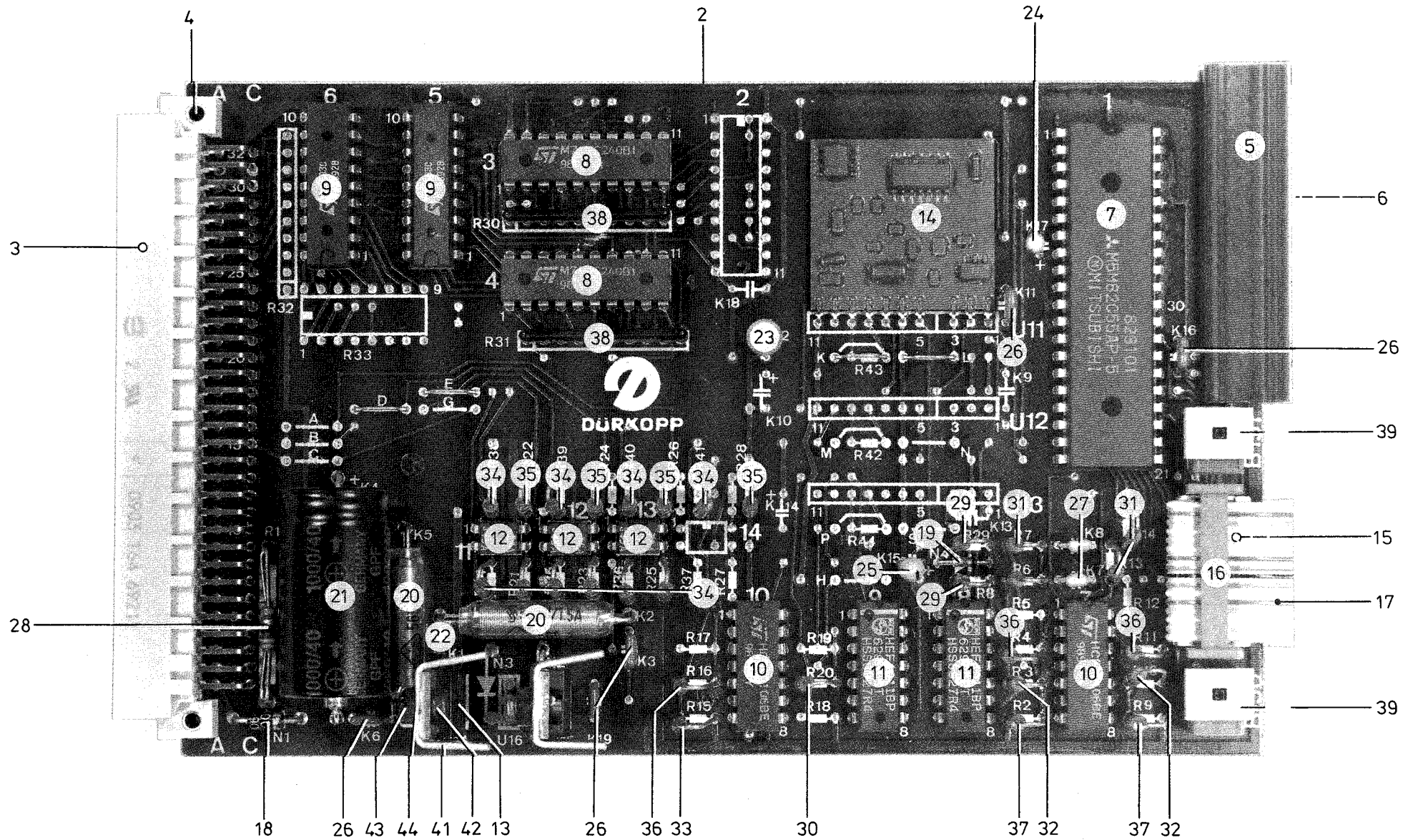
| Pos. Det. | Teile Nr. Part No. | Benennung | Denomination |
|-----------|--------------------|-----------|--------------|
|-----------|--------------------|-----------|--------------|



| Pos. Det. | Teile Nr. Part No. | Benennung | Denomination |
|--------------|-----------------------|---------------------------|----------------------------------|
| | | Steuergerät | Control Instrument |
| 1 | 798180265 | Leiterplatte kpl. | Printed circuit cpl. |
| 3 | 798483112 | Messerleiste | Multipole connector |
| 4 | 798123181 | Rohrniet | Rivet |
| 5 | 744611117 | Griffleiste | Grip ledge |
| 6 | 798446176 | Bez.-Streifen | Marking strip |
| 7 | 798167007 | IC-Mikroprozessor 8031 | IC-Mikroprozessor 8031 |
| 8 | 798167128 | IC-Timer 82 C 84 | IC-Timer 82 C 84 |
| 9 | 798167111 | IC-Latch 74 HC 373 | IC-Octal Latch 74 HC 373 |
| 10 | 798167010 | IC-EPROM 27128 | IC-EPROM 27128 |
| 11 | 798167116 | IC-NOR 74 HC 02 | IC-Quad 2 in put NOR 74 HC 02 |
| 12 | 798167125 | IC-Schm.-Tr. 40106 | IC-Hex Schmitt Tr. 40106 |
| 13 | 798167122 | IC-IK-FF 4027 | IC-IK-FF 4027 |
| 14 | 798167126 | IC-CLK Generator | IC-CLK Generator |
| 15 | 798521502 | Widerstand 10 R | Resistor 10 R |
| 16 | 798521416 | Widerstand 6 R 8 | Resistor 6 R 8 |
| 17 | Z 151318 | Widerstand 10k | Resistor 10k |
| 18 | 798522509 | Widerst.-Array 1 k | Resistorarray 1 k |
| 19 | 798523250 | Widerst.-Array 33k | Resistorarray 33 k |
| 20 | 798523162 | Widerstand 22k | Resistor 22 k |
| 21 | 798522502 | Widerstand 1k | Resistor 1 k |
| 22 | 798522502 | Widerstand 1k | Resistor 1 k |
| 23 | 798167505 | IC-Fassung | DIL-base |
| 24 | 744611153 | Kondensator 100 nF | Capacitor 100 nF |
| 25 | Z 10010435 | Kondensator 15 μ F | Capacitor 15 μ F |
| 26 | 7462623 | Kondensator 1 μ F | Capacitor 1 μ F |
| 27 | 744611147 | Kondensator 10 μ F | Capacitor 10 μ F |
| 28 | 798262071 | Kondensator 22 pF | Capacitor 22 pF |
| 29 | Z 151291 | Kondensator 1000 pF | Capacitor 1000 pF |
| 30 | 7462779 | Kondensator 6800 pF | Capacitor 6800 pF |
| 31 | 798268024 | Induktivität | Inductance |
| 32 | 798167951 | Quarz | Crystal |
| 33 | 739305 | Diode V 324 | Diode V 324 |
| 34 | 798160419 | Zehnerdiode | Zehnerdiode |
| 35 | 798161401 | LL-MOSFET | LL-MOSFET |

| Pos. Det. | Teile Nr. Part No. | Benennung | Denomination |
|--------------|-----------------------|-----------|--------------|
|--------------|-----------------------|-----------|--------------|

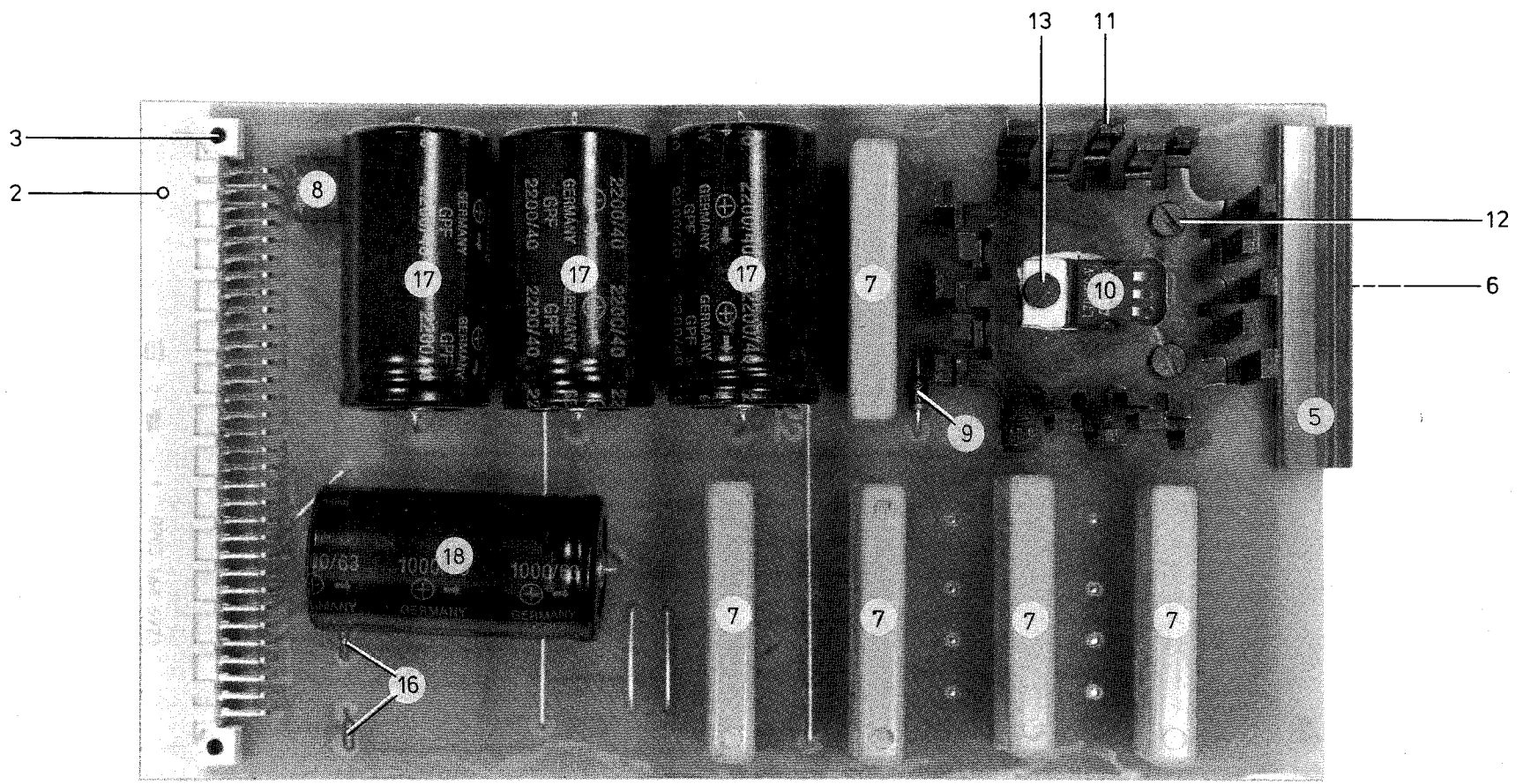
| Pos. Det. | Teile Nr. Part No. | Benennung | Denomination |
|--------------|-----------------------|-----------|--------------|
|--------------|-----------------------|-----------|--------------|



| Pos. Det. | Teile Nr. Part No. | Benennung | Denomination |
|-----------|--------------------|--------------------------|------------------------|
| 1 | 798180181 | Leiterplatte kpl. | PCB complet |
| 2 | 798440024 | Leiterplatte | PCB |
| 3 | 798483112 | Messerleiste | Multipole connector |
| 4 | 798123181 | Rohrniet | Pipe rivet |
| 5 | 74461117 | Griffleiste | Grip ledge |
| 6 | 798446177 | Bez.-Streifen | Marking strip |
| 7 | 798167127 | IC-82 C 55-3x 10 | IC-82 C 55-3x 10 |
| 8 | 798167114 | IC-74 HC 240-Buf. | IC-74 HC 240-Buf. |
| 9 | 798166510 | IC-L 603-8 x Treiber | IC-L 603 Darl. Arr. |
| 10 | 798167125 | IC-40106-SchmTr. | IC-40106-SchmTr. |
| 11 | 798167102 | IC-4011 Nand | IC-4011 Nand |
| 12 | 798166526 | IC-TCA 345 Schwell. | IC-TCA 345 Conparat. |
| 13 | 74450537 | Spannungsreg. 24 V | Voltage regulator 24 V |
| 14 | 798166522 | Verstärker | Amplifier |
| 15 | 798483201 | Fassung DIL 16 | 16 Pin DIL-base |
| 16 | 798483204 | Verr.-Bügel | Binding clip |
| 17 | 798357503 | Flachb.-Leitung | Flat line |
| 18 | 739311 | Diode 1 N4007 | Diode 1 N4007 |
| 19 | 798160207 | Diode BAW 76 | Diode BAW 76 |
| 20 | 798268024 | Induktivität | Inductance |
| 21 | Z 151296 | Kondensator 1000 μ F | Capacitor 1000 μ F |
| 22 | Z 10010435 | Kondensator 15 μ F | Capacitor 15 μ F |
| 23 | 798261044 | Kondensator 22 μ F | Capacitor 22 μ F |
| 24 | 7462623 | Kondensator 1 μ F | Capacitor 1 μ F |
| 25 | Z 10010436 | Kondensator 4,7 μ F | Capacitor 4,7 μ F |
| 26 | 74461153 | Kondensator 100 nF | Capacitor 100 nF |
| 27 | 798262396 | Kondensator 10 nF | Capacitor 10 nF |
| 28 | 798521472 | Widerstand 33 R | Resistor 33 R |
| 29 | 798523502 | Widerstand 100 k | Resistor 100 k |
| 30 | 798523322 | Widerstand 47 k | Resistor 47 k |
| 31 | 798523162 | Widerstand 22 k | Resistor 22 k |
| 32 | 798522662 | Widerstand 2 k2 | Resistor 2k2 |
| 33 | 798522582 | Widerstand 1 k5 | Resistor 1k5 |
| 34 | 798521742 | Widerstand 33 R | Resistor 33 R |
| 35 | 798521822 | Widerstand 47 R | Resistor 47 R |
| 36 | Z 151318 | Widerstand 10 k | Resistor 10 k |
| 37 | 798522502 | Widerstand 1 k | Resistor 1 k |
| 38 | 798523250 | Widerst.-Array 33k | Resistorarray 33 k |
| 39 | 798422601 | Schalter | Switch |
| 41 | 798165027 | Kühlkörper | Heat sink |
| 42 | 55615410 | Zyl.-Schraube | Cyl. head screw |
| 43 | 5511824 | 6kt.-Mutter | Hexagonal nut |
| 44 | 739298 | Zahnscheibe | Tooth lock washer |

| Pos. Det. | Teile Nr. Part No. | Benennung | Denomination |
|-----------|--------------------|-----------|--------------|
|-----------|--------------------|-----------|--------------|

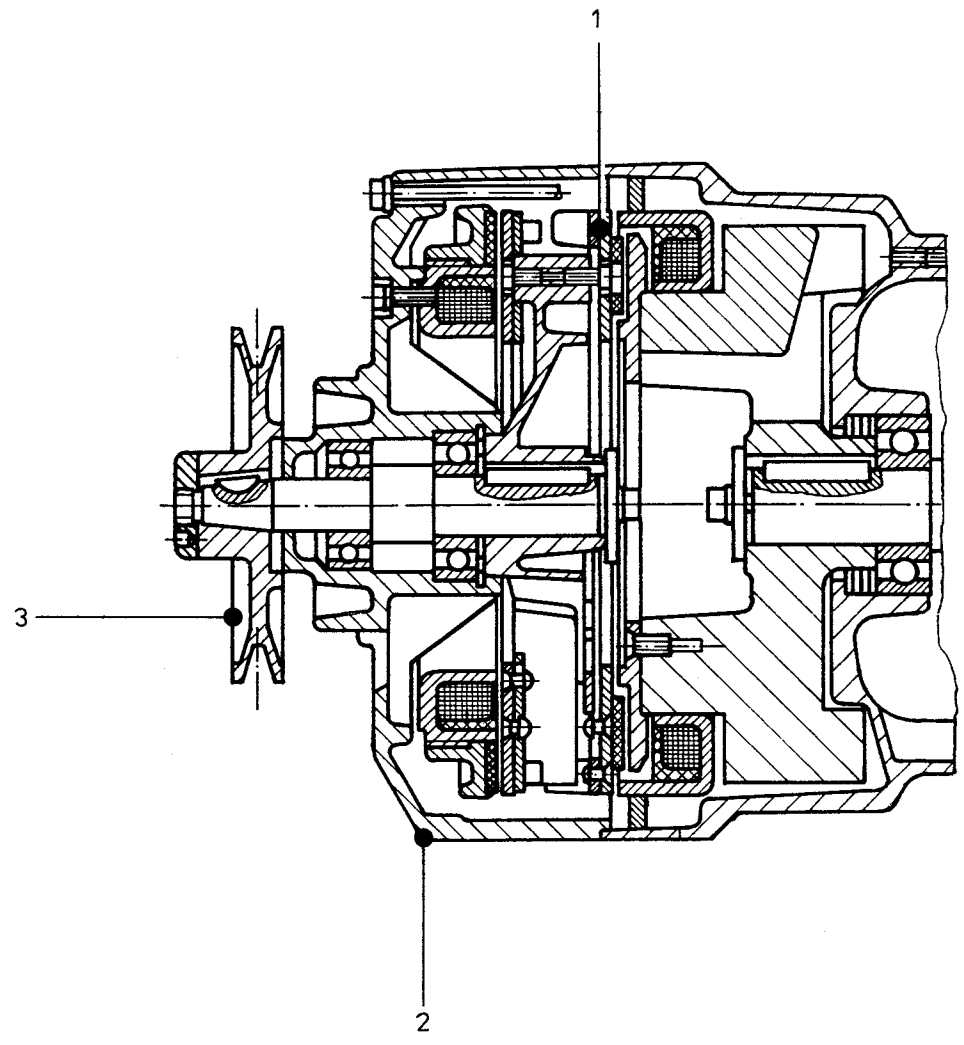
| Pos. Det. | Teile Nr. Part No. | Benennung | Denomination |
|-----------|--------------------|-----------|--------------|
|-----------|--------------------|-----------|--------------|

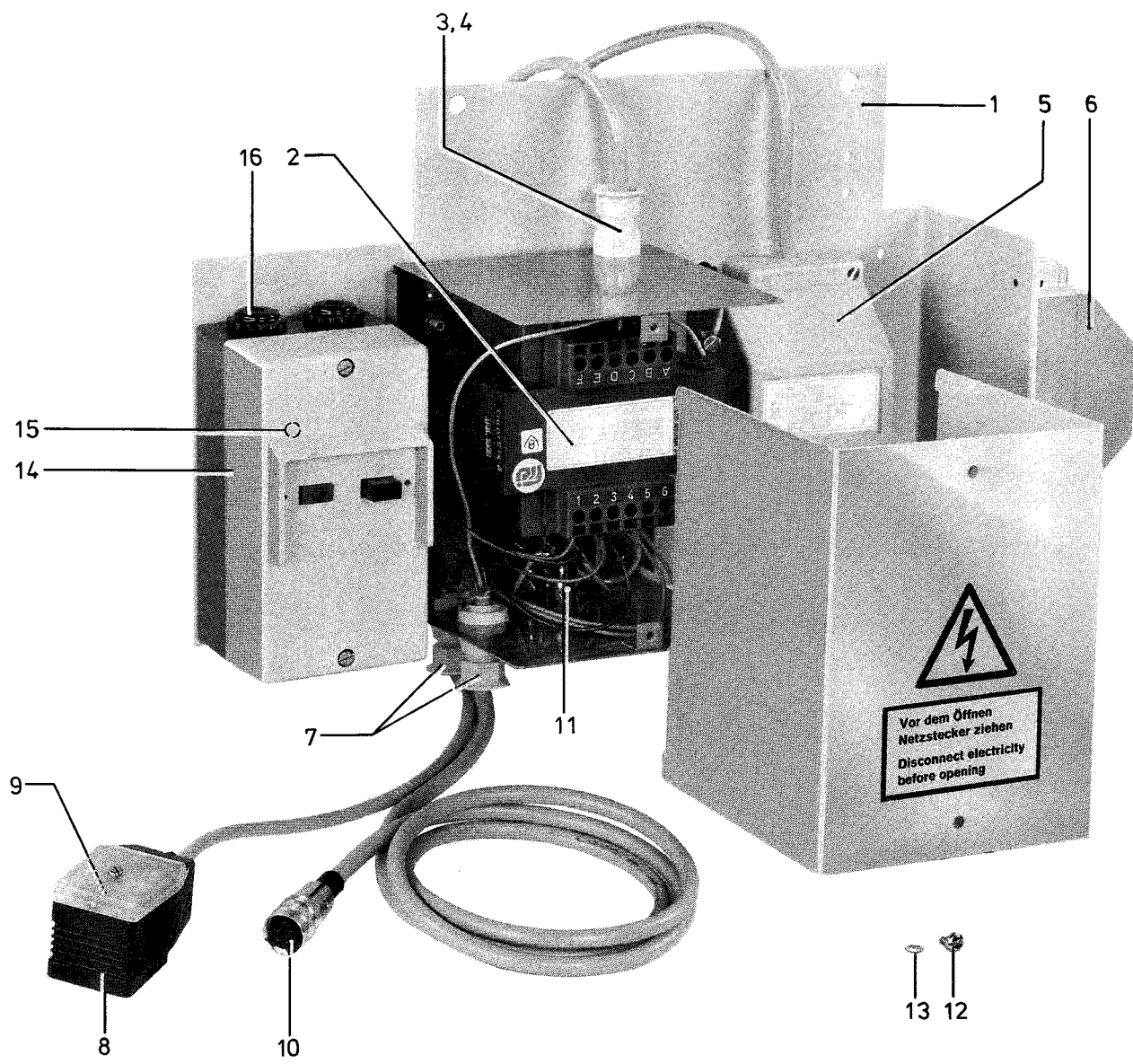


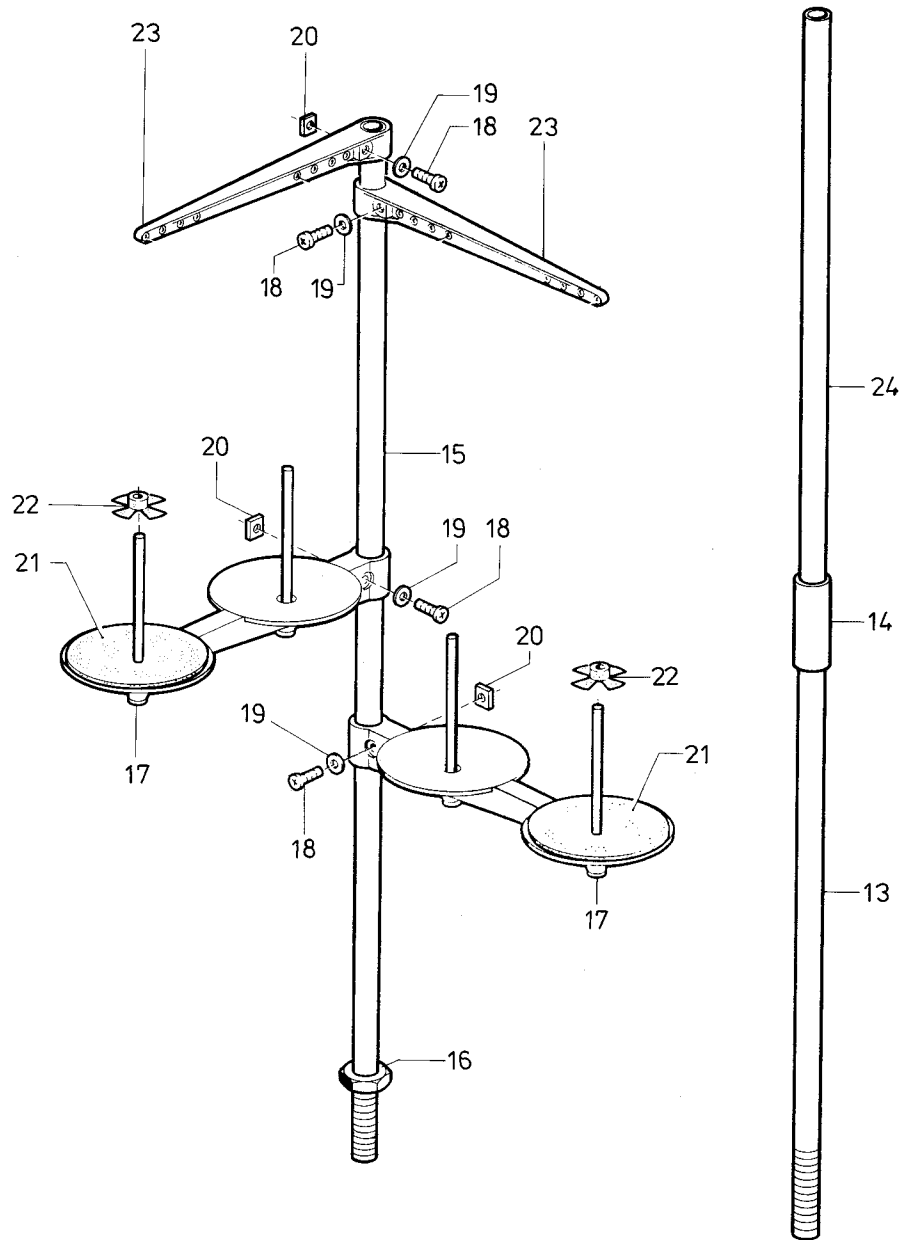
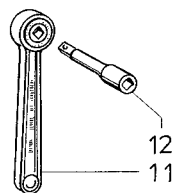
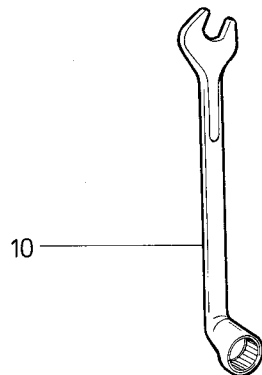
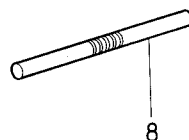
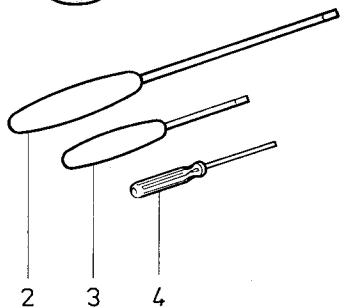
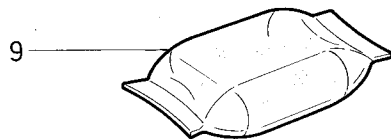
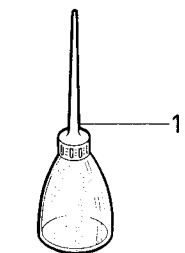
| Pos. Det. | Teile Nr. Part No. | Benennung | Denomination |
|-----------|--------------------|----------------------|-----------------------|
| 1 | 798180121 | Leiterplatte kpl. | Printed circuit cpl. |
| 2 | 798483112 | Steckleiste | Multipole connector |
| 3 | 798123181 | Rohrniet | Rivet |
| 5 | 74461117 | Griffleiste | Grip ledge |
| 6 | 798446171 | Bez.-Streifen | Marking strip |
| 7 | 5513338 | Brückengleichrichter | Bridgec. rectifier |
| 8 | 798160007 | Brückengleichrichter | Bridgec. rectifier |
| 9 | 739311 | Diode 1 N4007 | Diode 1 N4007 |
| 10 | 74450538 | Spannungsregler 5 V | Voltage regulator 5 V |
| 11 | 74450542 | Kühlkörper | Heat sink |
| 12 | 1001360 | Zyl.-Schraube | Cyl. head screw |
| 13 | 5691922 | Zyl.-Schraube | Cyl. head screw |
| 16 | 74461153 | Kondensator 100 nF | Capacitor 100 nF |
| 17 | 74424293 | Kondensator 2200 uF | Capacitor 2200 uF |
| 18 | 798260252 | Kondensator 1000 uF | Capacitor 1000 uF |

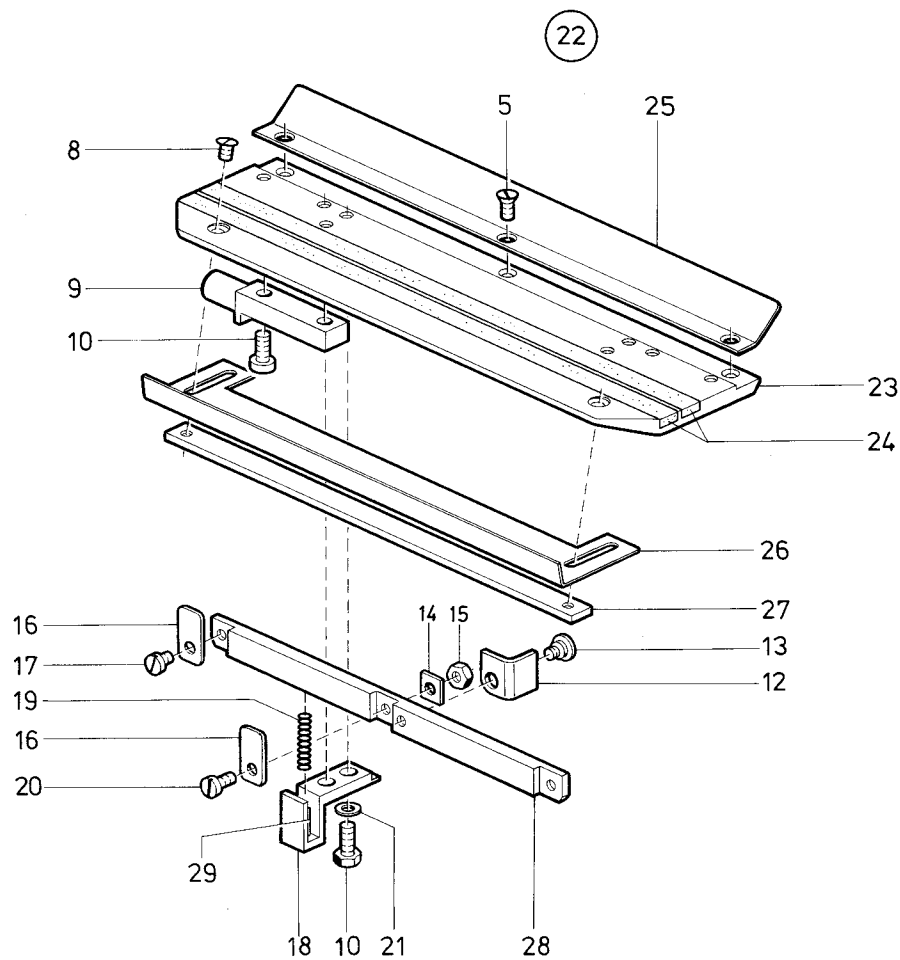
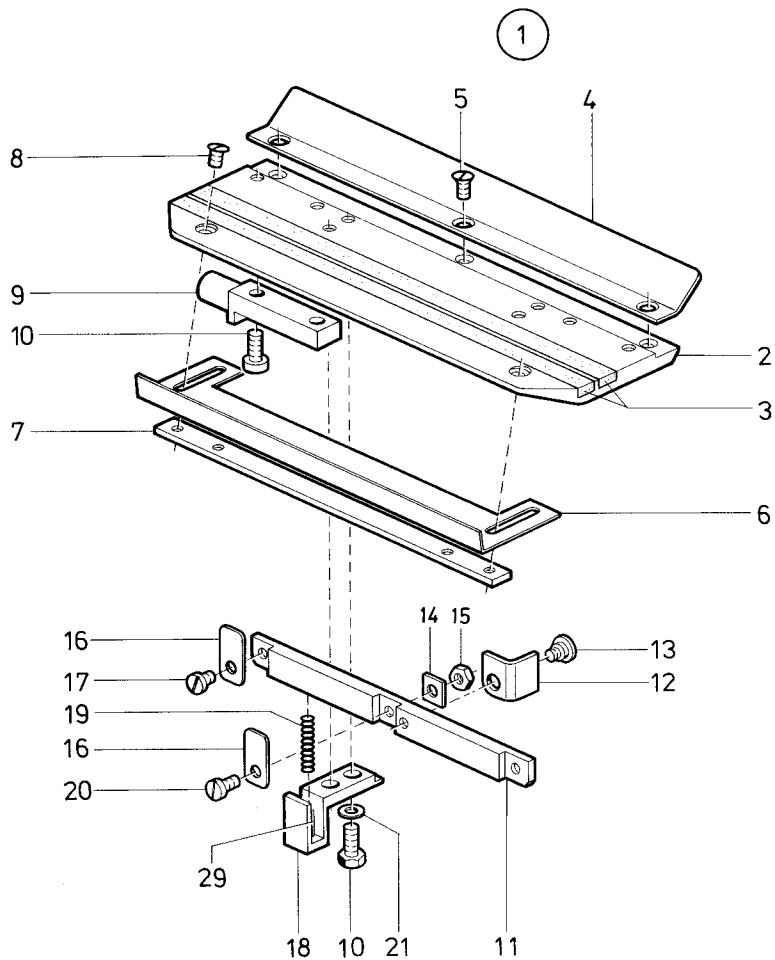
| Pos. Det. | Teile Nr. Part No. | Benennung | Denomination |
|-----------|--------------------|-----------|--------------|
|-----------|--------------------|-----------|--------------|

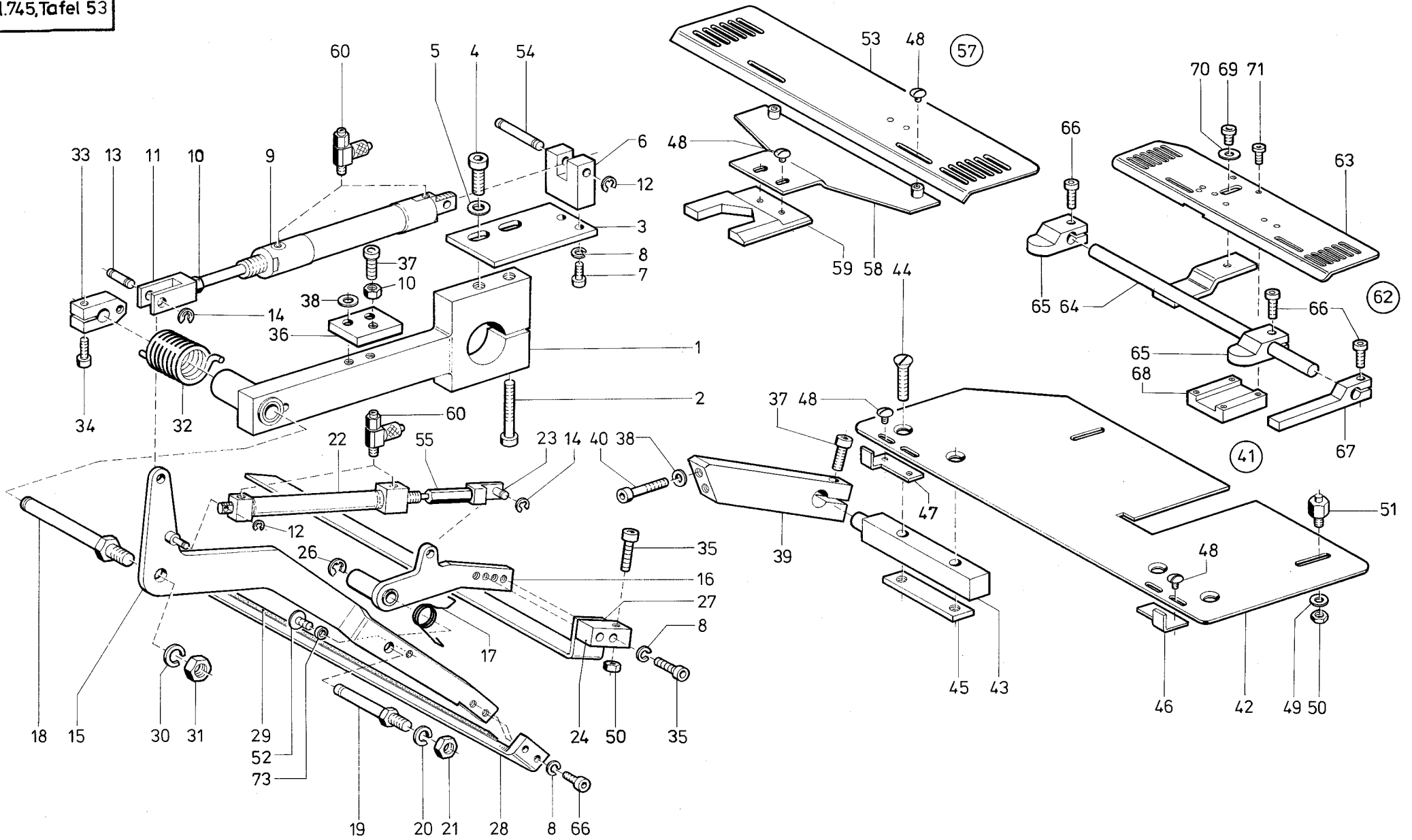
| Pos. Det. | Teile Nr. Part No. | Benennung | Denomination |
|-----------|--------------------|-----------|--------------|
|-----------|--------------------|-----------|--------------|









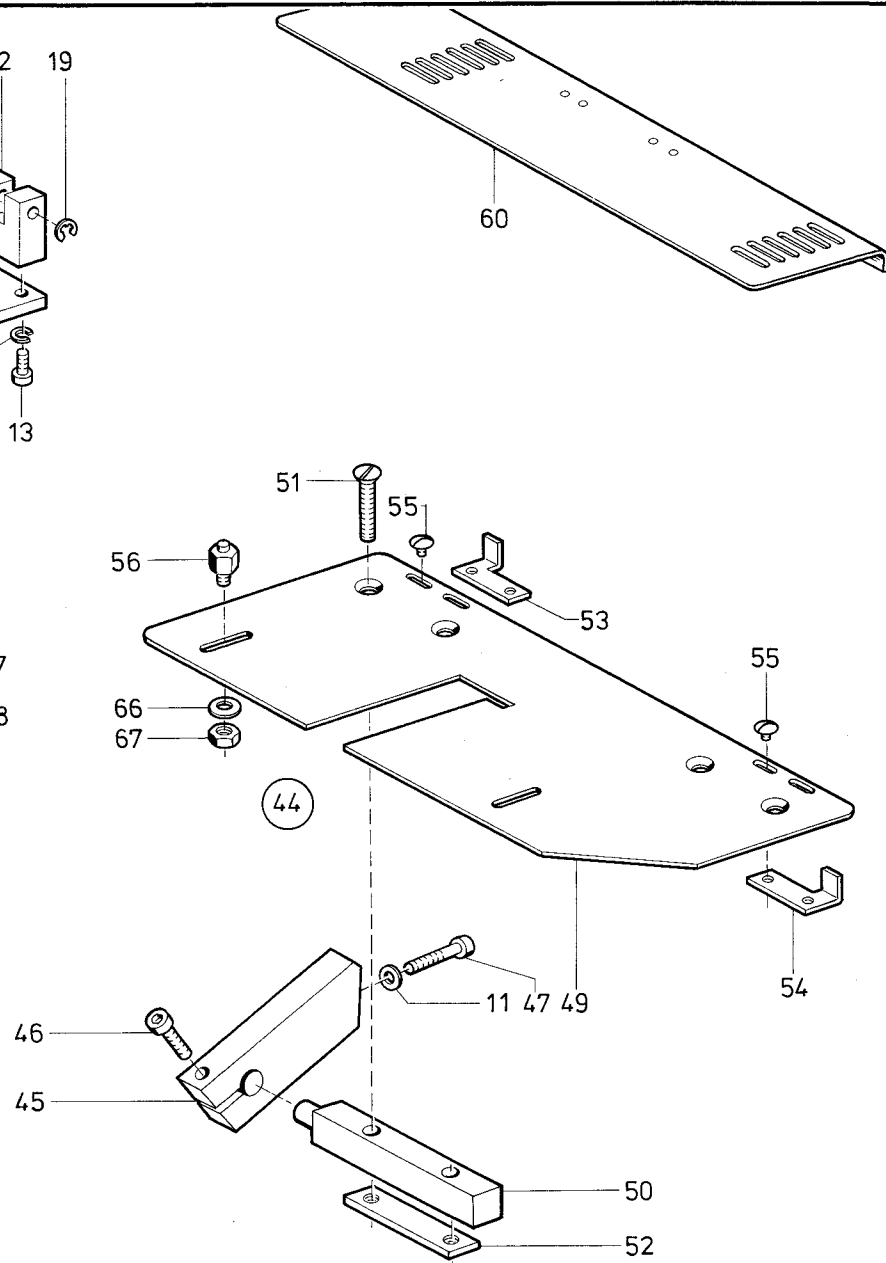
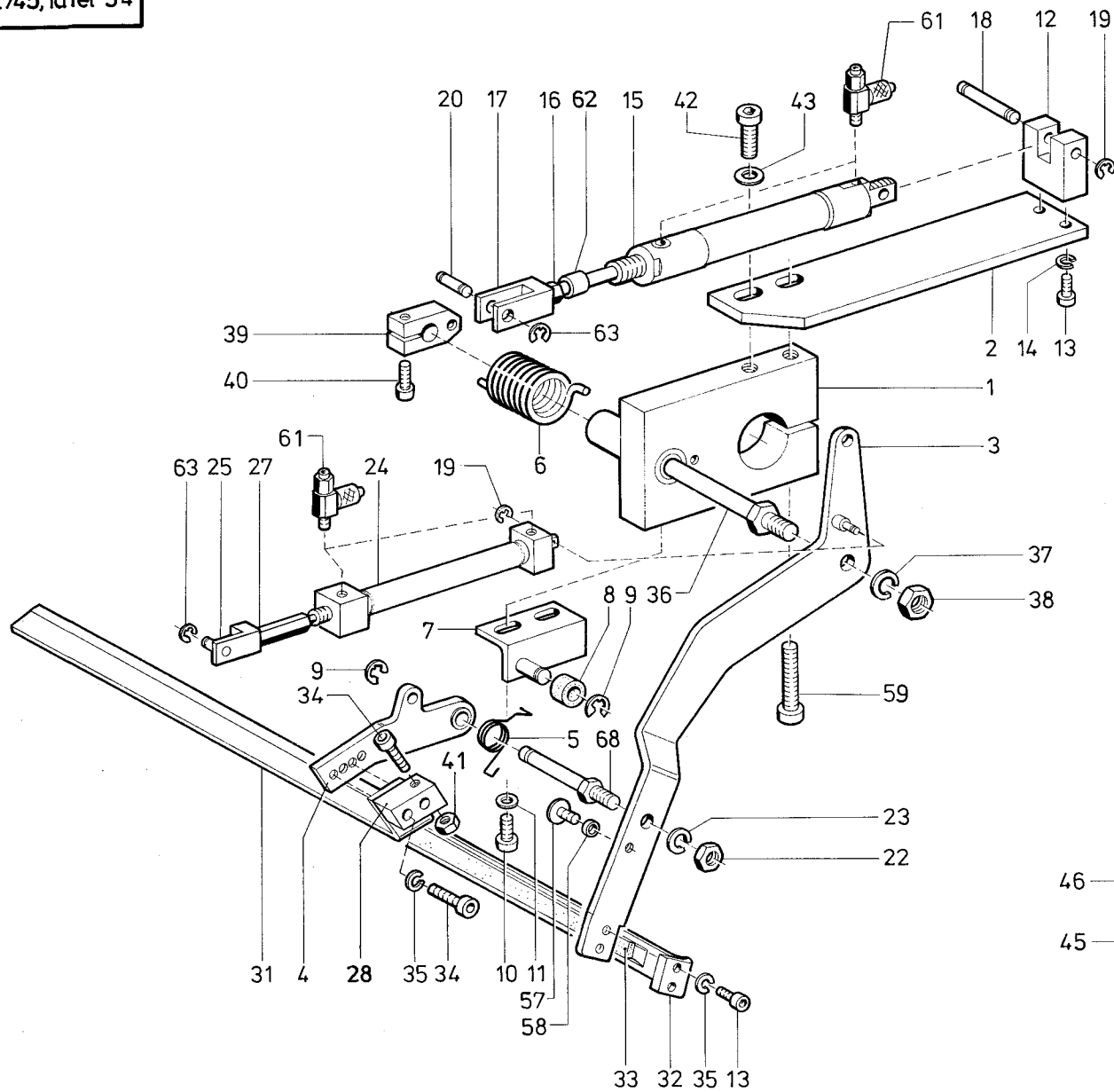


| Pos. Det. | Teile Nr. Part No. | Benennung | Denomination |
|-----------|--------------------|------------------------------------------------|-------------------------------------------------|
| | 7944001 | Automatische Zuführeinrichtung, rechts* | Automatic Feeding Mechanism, right hand* |
| 1 | 74680153 | Halter kpl. (mit Pos. 2) | Support cpl. (with pos. 2) |
| 2 | 7441694 | Zyl.-Schraube | Cyl. head screw |
| 3 | 74680162 | Platte | Plate |
| 4 | 556362 | Zyl.-Schraube | Cyl. head screw |
| 5 | 557263 | Scheibe | Washer |
| 6 | 74680166 | Lagerbock | Pillow block |
| 7 | 570912 | Zyl.-Schraube | Cyl. head screw |
| 8 | 5561075 | Federring | Spring ring |
| 9 | 74221996 | Zylinder | Cylinder |
| 10 | MG 8/7d | 6kt.-Mutter | Hexagonal nut |
| 11 | 74680173 | Gabelkopf | Fork head |
| 12 | 255129 | Sicher.-Scheibe | Safety washer |
| 13 | MG 43/2970 | Bolzen | Bolt |
| 14 | 570138 | Sicher.-Scheibe | Safety washer |
| 15 | 7944032 | Hebel | Lever |
| 16 | 74680186 | Hebel | Lever |
| 17 | 7944038 | Drehfeder | Torsion spring |
| 18 | 74680206 | Bolzen | Bolt |
| 19 | 74680190 | Bolzen | Bolt |
| 20 | 7441131 | Federring | Spring ring |
| 21 | MG 43/408 | 6kt.-Mutter | Hexagonal nut |
| 22 | 7971532 | Zylinder | Cylinder |
| 23 | 7944045a | Kloben | Block |
| 24 | 7944837 | Zwischenstück | Distance piece |
| 26 | 211100a | Sicher.-Scheibe | Safety washer |
| 27 | 74680201 | Klemmleiste | Clamping reglet |
| 28 | 74680202k | Klemmleiste kpl. (mit Pos. 29) | Clamping reglet cpl. (with pos. 29) |
| 29 | 00290229000 | Klebeband | Adhesive tape |
| 30 | 725520b | Federring | Spring ring |
| 31 | 72042a | 6kt.-Mutter | Hexagonal nut |
| 32 | 74680211 | Drehfeder | Torsion spring |
| 33 | 74680212 | Stellkloben | Adjusting block |
| 34 | 7441968 | Zyl.-Schraube | Cyl. head screw |
| 35 | 7461212 | Zyl.-Schraube | Cyl. head screw |
| 36 | 74680216 | Platte | Plate |
| 37 | 93370175 | Zyl.-Schraube | Cyl. head screw |
| 38 | 024275 | Scheibe | Washer |
| 39 | 74680222 | Klemmstück kpl. (mit Pos. 37) | Clamp cpl. (with pos. 37) |

| Pos. Det. | Teile Nr. Part No. | Benennung | Denomination |
|-----------|--------------------|---------------------------------------------------|------------------------------------------------|
| 40 | 2386530 | Zyl.-Schraube | Cyl. head screw |
| 41 | 74680231 | Auflage kpl. (best. aus Pos. 42 bis 51 und 62) | Rest cpl. (cons. of pos. 42 up to 51 and 62) |
| 42 | 74680232 | Auflage | Rest |
| 43 | 74680233 | Bolzen | Bolt |
| 44 | 570939a | Senkschraube | Countersunk screw |
| 45 | 74640100 | Gewindelasche | Threaded shackle |
| 46 | 74680235 | Anschlag | Stop |
| 47 | 74680236 | Anschlag | Stop |
| 48 | 911339 | Linsenschraube | Fillister head screw |
| 49 | 5691895 | Scheibe | Washer |
| 50 | 202704 | 6kt.-Mutter | Hexagonal nut |
| 51 | 74640074 | Distanzstück | Distance piece |
| 52 | 9336268 | Linsenschraube | Fillister head screw |
| 53 | 74640338 | Halter | Holder |
| 54 | Z 11811 | Federstift | Spring pin |
| 55 | 7944047 | Hülse | Sleeve |
| 57 | 74680281 | Formanschlag kpl. (best. aus Pos. 48, 53, 58, 59) | Shape stop cpl. (cons. of pos. 48, 53, 58, 59) |
| 58 | 74680283 | Platte | Plate |
| 59 | 74680287 | Aufnahme | Retainer |
| 60 | 797412 | Drosselventil | Throttle valve |
| 62 | 7928311 | Formanschlag kpl. (best. aus Pos. 63 bis 72) | Shape stop cpl. (cons. of pos. 63 up to 72) |
| 63 | 74640338 | Halter | Holder |
| 64 | 7928321 | Stange | Rod |
| 65 | 7928326 | Kloben kpl. (mit Pos. 66) | Block cpl. (with pos. 66) |
| 66 | 570912 | Zyl.-Schraube | Cyl. head screw |
| 67 | 7928328 | Anschlag kpl. (mit Pos. 66) | Stop cpl. (with pos. 66) |
| 68 | 7928334 | Führung | Guidance |
| 69 | 223723 | Zyl.-Schraube | Cyl. head screw |
| 70 | 55890 | Scheibe | Washer |
| 71 | 216497 | Zyl.-Schraube | Cyl. head screw |
| 73 | 2113058 | Ring | Ring |

* Für 180 mm Nählänge * For 180 mm Sewing length

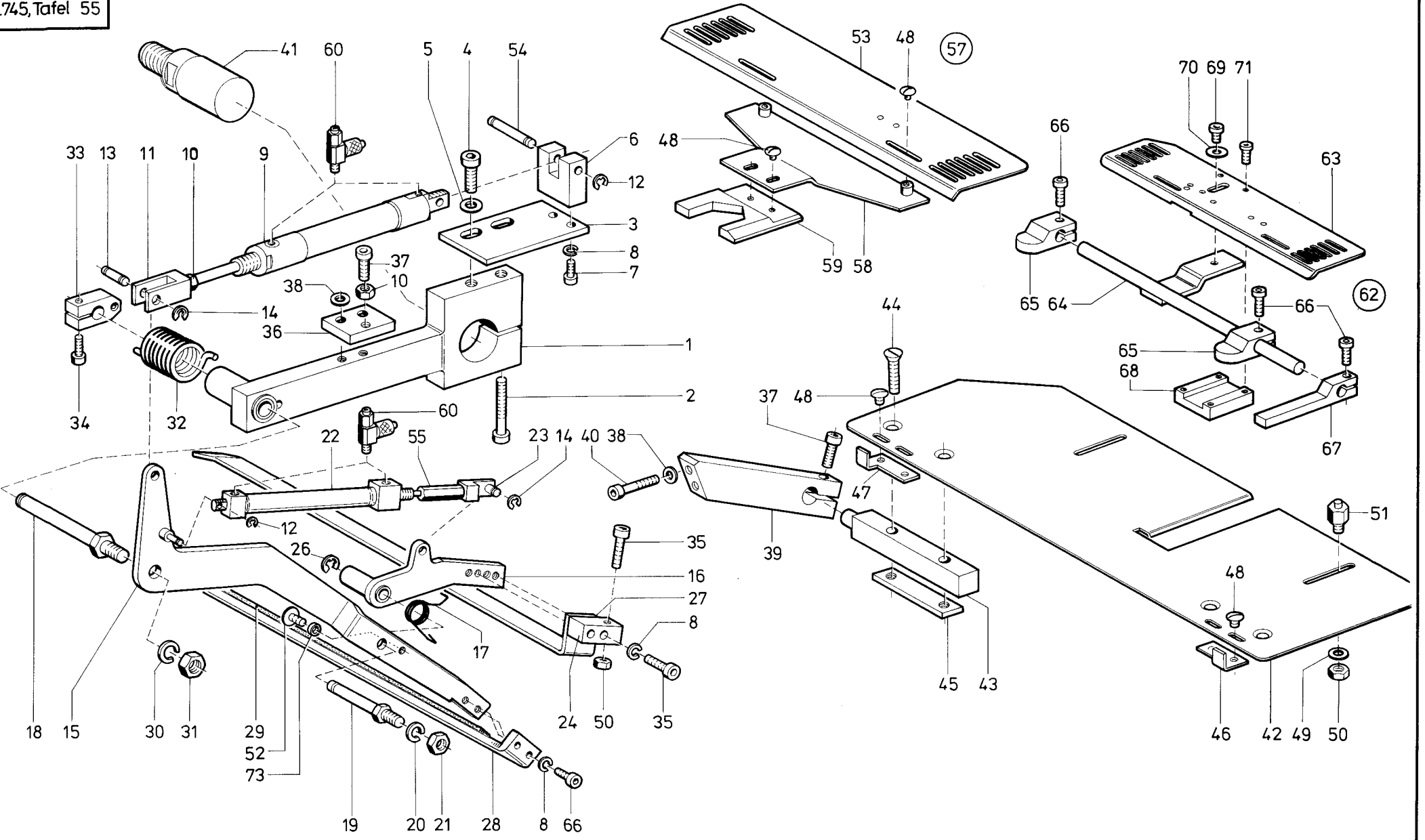
| Pos. Det. | Teile Nr. Part No. | Benennung | Denomination |
|-----------|--------------------|-----------|--------------|
|-----------|--------------------|-----------|--------------|



| Pos. Det. | Teile Nr. Part No. | Benennung | Denomination |
|-----------|--------------------|-----------------------------------------------|------------------------------------------------|
| | 7944501 | Automatische Zuführeinrichtung, links* | Automatic Feeding Mechanism, left hand* |
| 1 | 74680303 | Halter kpl. (mit Pos. 59) | Support cpl. (with pos. 59) |
| 2 | 74680310 | Platte | Plate |
| 3 | 7944512 | Hebel | Lever |
| 4 | 74680317 | Hebel | Lever |
| 5 | 7944520 | Drehfeder | Torsion spring |
| 6 | 74680321 | Drehfeder (links-gewickelt) | Torsion spring (left-winding) |
| 7 | 74680323 | Winkel | Angle |
| 8 | 74680326 | Rolle | Roll |
| 9 | 211100a | Sicher.-Scheibe | Lock washer |
| 10 | 7441509 | Zyl.-Schraube | Cyl. head screw |
| 11 | 024275 | Scheibe | Washer |
| 12 | 74680166 | Lagerbock | Pillow block |
| 13 | 570912 | Zyl.-Schraube | Cyl. head screw |
| 14 | 5561075 | Federring | Spring ring |
| 15 | 74221996 | Zylinder kpl. | Cylinder cpl. |
| 16 | MG 8/7d | 6kt.-Mutter | Hexagonal nut |
| 17 | 74680173 | Gabelkopf | Fork head |
| 18 | Z 11811 | Federstift | Spring pin |
| 19 | 255129 | Sicher.-Scheibe | Safety washer |
| 20 | MG 43/2970 | Bolzen | Bolt |
| 21 | 74680190 | Bolzen | Bolt |
| 22 | MG 43/408 | 6kt.-Mutter | Hexagonal nut |
| 23 | 7441131 | Federring | Spring ring |
| 24 | 7971532 | Zylinder | Cylinder |
| 25 | 7944045a | Kloben | Block |
| 26 | 74680311 | Buchse | Bush |
| 27 | 7494047 | Hülse | Sleeve |
| 28 | 7944837 | Zwischenstück | Distance piece |
| 30 | 2522955 | Sicher.-Scheibe | Lock washer |
| 31 | 74680316a | Klemmleiste | Clamping reglet |
| 32 | 74680315 | Klemmleiste kpl. (mit Pos. 33) | Clamping reglet cpl. (with pos. 33) |
| 33 | 00290229000 | Klebeband | Adhesive tape |
| 34 | 7461212 | Zyl.-Schraube | Cyl. head screw |
| 35 | 5561075 | Federring | Spring ring |
| 36 | 74680206 | Bolzen | Bolt |
| 37 | 725520b | Federring | Spring ring |
| 38 | 72042a | 6kt.-Mutter | Hexagonal nut |
| 39 | 74680212 | Stellkloben | Adjusting block |

| Pos. Det. | Teile Nr. Part No. | Benennung | Denomination |
|-----------|--------------------|-----------------------------------------|---------------------------------------|
| 40 | 7441968 | Zyl.-Schraube | Cyl. head screw |
| 41 | 202704 | 6kt.-Mutter | Hexagonal nut |
| 42 | 556362 | Zyl.-Schraube | Cyl. head screw |
| 43 | 557263 | Scheibe | Washer |
| 44 | 74680231 | Auflage kpl. (best. aus Pos. 49 bis 56) | Rest cpl. (cons. of pos. 49 up to 56) |
| 45 | 74680222 | Klemmstück kpl. (mit Pos. 46) | Clamp cpl. (with pos. 46) |
| 46 | 93370175 | Zyl.-Schraube | Cyl. head screw |
| 47 | 2386530 | Zyl.-Schraube | Cyl. head screw |
| 49 | 74680232 | Auflage | Rest |
| 50 | 74680233 | Bolzen | Bolt |
| 51 | 570939a | Senkschraube | Countersunk screw |
| 52 | 74640100 | Gewindelasche | Threaded shackle |
| 53 | 74680235 | Anschlag | Stop |
| 54 | 74680236 | Anschlag | Stop |
| 55 | 911339 | Linsenschraube | Fillister head screw |
| 56 | 74640074 | Distanzstück | Distance piece |
| 57 | 9336268 | Linsenschraube | Fillister head screw |
| 58 | 2113058 | Ring | Ring |
| 59 | 7441694 | Zyl.-Schraube | Cyl. head screw |
| 60 | 7944522 | Anschlag, rechts | Stop, right hand |
| 61 | 797412 | Drosselventil | Throttle valve |
| 62 | 7927234a | Buchse | Bushing |
| 63 | 570138 | Sicher.-Scheibe | Lock washer |
| 66 | 5691895 | Scheibe | Washer |
| 67 | 202704 | 6kt.-Mutter | Hexagonal nut |
| 68 | 74680190 | Bolzen | Bolt |
| | | * Für 180 mm Nählänge | * For 180 mm Sewing length |

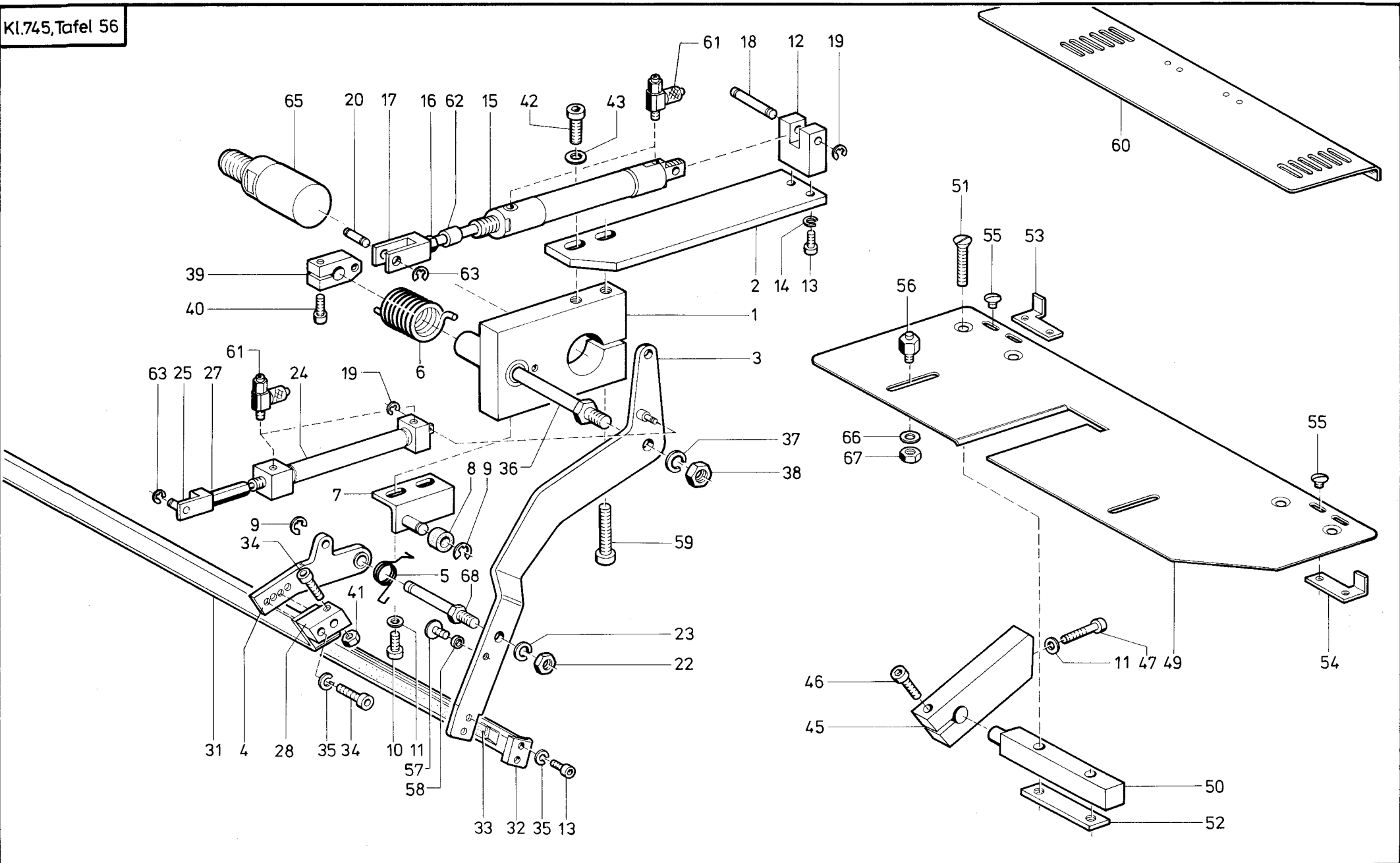
| Pos. Det. | Teile Nr. Part No. | Benennung | Denomination |
|-----------|--------------------|-----------|--------------|
|-----------|--------------------|-----------|--------------|



| Pos. Det. | Teile Nr. Part No. | Benennung | Denomination |
|-----------|--------------------|------------------------------------------------|-------------------------------------------------|
| | 7944601 | Automatische Zuführeinrichtung, rechts* | Automatic Feeding Mechanism, right hand* |
| 1 | 74680153 | Halter kpl. (mit Pos. 2) | Support cpl. (with pos. 2) |
| 2 | 7441694 | Zyl.-Schraube | Cyl. head screw |
| 3 | 74680162 | Platte | Plate |
| 4 | 556362 | Zyl.-Schraube | Cyl. head screw |
| 5 | 557263 | Scheibe | Washer |
| 6 | 74680166 | Lagerbock | Pillow block |
| 7 | 570912 | Zyl.-Schraube | Cyl. head screw |
| 8 | 5561075 | Federring | Spring ring |
| 9 | 74221996 | Zylinder | Cylinder |
| 10 | MG 8/7d | 6kt.-Mutter | Hexagonal nut |
| 11 | 74680173 | Gabelkopf | Fork head |
| 12 | 255129 | Sicher.-Scheibe | Safety washer |
| 13 | MG 43/2970 | Bolzen | Bolt |
| 14 | 570138 | Sicher.-Scheibe | Safety washer |
| 15 | 7944032 | Hebel | Lever |
| 16 | 74680186 | Hebel | Lever |
| 17 | 7944038 | Drehfeder | Torsion spring |
| 18 | 74680206 | Bolzen | Bolt |
| 19 | 74680190 | Bolzen | Bolt |
| 20 | 7441131 | Federring | Spring ring |
| 21 | MG 43/408 | 6kt.-Mutter | Hexagonal nut |
| 22 | 7971532 | Zylinder | Cylinder |
| 23 | 7944045a | Kloben | Block |
| 24 | 7944837 | Zwischenstück | Distance piece |
| 26 | 211100a | Sicher.-Scheibe | Safety washer |
| 27 | 7944609 | Klemmleiste | Clamping reglet |
| 28 | 7944605 | Klemmleiste kpl. (mit Pos. 29) | Clamping reglet cpl. (with pos. 29) |
| 29 | 00290229000 | Klebeband | Adhesive tape |
| 30 | 725520b | Federring | Spring ring |
| 31 | 72042a | 6kt.-Mutter | Hexagonal nut |
| 32 | 74680211 | Drehfeder | Torsion spring |
| 33 | 74680212 | Stellkloben | Adjusting block |
| 34 | 7441968 | Zyl.-Schraube | Cyl. head screw |
| 35 | 7461212 | Zyl.-Schraube | Cyl. head screw |
| 36 | 74680216 | Platte | Plate |
| 37 | 93370175 | Zyl.-Schraube | Cyl. head screw |
| 38 | 024275 | Scheibe | Washer |
| 39 | 74680222 | Klemmstück kpl. (mit Pos. 37) | Clamp cpl. (with pos. 37) |

| Pos. Det. | Teile Nr. Part No. | Benennung | Denomination |
|-----------|--------------------|---------------------------------------------------|------------------------------------------------|
| 40 | 2386530 | Zyl.-Schraube | Cyl. head screw |
| 41 | 7944603 | Verlängerung | Lengthening piece |
| 42 | 7944610 | Auflage | Rest |
| 43 | 74680233 | Bolzen | Bolt |
| 44 | 570939a | Senkschraube | Countersunk screw |
| 45 | 74640100 | Gewindelasche | Threaded shackle |
| 46 | 74680235 | Anschlag | Stop |
| 47 | 74680236 | Anschlag | Stop |
| 48 | 911339 | Linsenschraube | Fillister head screw |
| 49 | 5691895 | Scheibe | Washer |
| 50 | 202704 | 6kt.-Mutter | Hexagonal nut |
| 51 | 74640074 | Distanzstück | Distance piece |
| 52 | 9336268 | Linsenschraube | Fillister head screw |
| 53 | 74640338 | Halter | Holder |
| 54 | Z 11811 | Federstift | Spring pin |
| 55 | 7944047 | Hülse | Sleeve |
| 57 | 74680281 | Formanschlag kpl. (best. aus Pos. 48, 53, 58, 59) | Shape stop cpl. (cons. of pos. 48, 53, 58, 59) |
| 58 | 74680283 | Platte | Plate |
| 59 | 74680287 | Aufnahme | Retainer |
| 60 | 797412 | Drosselventil | Throttle valve |
| 62 | 7928311 | Formanschlag kpl. (best. aus Pos. 63 bis 72) | Shape stop cpl. (cons. of pos. 63 up to 72) |
| 63 | 74640338 | Halter | Holder |
| 64 | 7928321 | Stange | Rod |
| 65 | 7928326 | Kloben kpl. (mit Pos. 66) | Block cpl. (with pos. 66) |
| 66 | 570912 | Zyl.-Schraube | Cyl. head screw |
| 67 | 7928328 | Anschlag kpl. (mit Pos. 66) | Stop cpl. (with pos. 66) |
| 68 | 7928334 | Führung | Guidance |
| 69 | 223723 | Zyl.-Schraube | Cyl. head screw |
| 70 | 55890 | Scheibe | Washer |
| 71 | 216497 | Zyl.-Schraube | Cyl. head screw |
| 73 | 2113058 | Ring | Ring |
| | | * Für 220 mm Nählänge | * For 220 mm Sewing length |

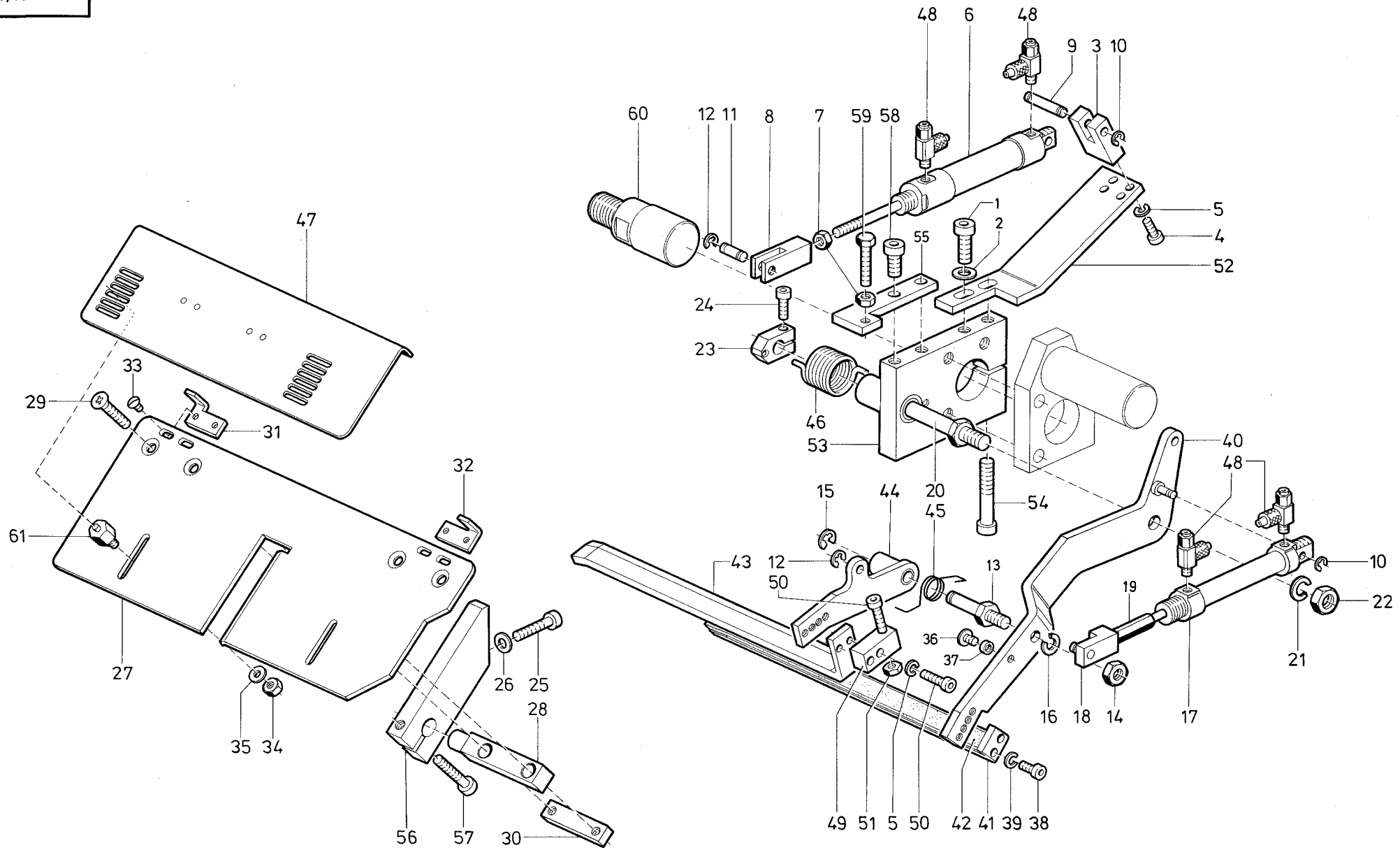
| Pos. Det. | Teile Nr. Part No. | Benennung | Denomination |
|-----------|--------------------|-----------|--------------|
| | | | |



| Pos. Det. | Teile Nr. Part No. | Benennung | Denomination |
|-----------|--------------------|-----------------------------------------------|------------------------------------------------|
| | 7944701 | Automatische Zuführeinrichtung, links* | Automatic Feeding Mechanism, left hand* |
| 1 | 74680303 | Halter kpl. (mit Pos. 59) | Support cpl. (with pos. 59) |
| 2 | 74680310 | Platte | Plate |
| 3 | 7944512 | Hebel | Lever |
| 4 | 74680317 | Hebel | Lever |
| 5 | 7944520 | Drehfeder | Torsion spring |
| 6 | 74680321 | Drehfeder (links-gewickelt) | Torsion spring (left-winding) |
| 7 | 74680323 | Winkel | Angle |
| 8 | 74680326 | Rolle | Roll |
| 9 | 211100a | Sicher.-Scheibe | Safety washer |
| 10 | 7441509 | Zyl.-Schraube | Cyl. head screw |
| 11 | 024275 | Scheibe | Washer |
| 12 | 74680166 | Lagerbock | Pillow block |
| 13 | 570912 | Zyl.-Schraube | Cyl. head screw |
| 14 | 5561075 | Federring | Spring ring |
| 15 | 74221996 | Zylinder kpl. | Cylinder cpl. |
| 16 | MG 8/7d | 6kt.-Mutter | Hexagonal nut |
| 17 | 74680173 | Gabelkopf | Fork head |
| 18 | Z 11811 | Federstift | Spring pin |
| 19 | 255129 | Sicher.-Scheibe | Safety washer |
| 20 | MG 43/2970 | Bolzen | Bolt |
| 21 | 74680190 | Bolzen | Bolt |
| 22 | MG 43/408 | 6kt.-Mutter | Hexagonal nut |
| 23 | 7441131 | Federring | Spring ring |
| 24 | 7971532 | Zylinder | Cylinder |
| 25 | 7944045a | Kloben | Block |
| 26 | 74680311 | Buchse | Bush |
| 27 | 7944047 | Hülse | Sleeve |
| 28 | 7944837 | Zwischenstück | Distance piece |
| 30 | 2522955 | Sicher.-Scheibe | Safety washer |
| 31 | 7944709 | Klemmleiste | Clamping reglet |
| 32 | 7944705 | Klemmleiste kpl. (mit Pos. 33) | Clamping reglet cpl. (with pos. 33) |
| 33 | 00290229000 | Klebeband | Adhesive tape |
| 34 | 7461212 | Zyl.-Schraube | Cyl. head screw |
| 35 | 5561075 | Federring | Spring ring |
| 36 | 74680206 | Bolzen | Bolt |
| 37 | 725520b | Federring | Spring ring |
| 38 | 72042a | 6kt.-Mutter | Hexagonal nut |
| 39 | 74680212 | Stellkloben | Adjusting block |

| Pos. Det. | Teile Nr. Part No. | Benennung | Denomination |
|-----------|--------------------|-------------------------------|-----------------------------------|
| 40 | 7441968 | Zyl.-Schraube | Cyl. head screw |
| 41 | 202704 | 6kt.-Mutter | Hexagonal nut |
| 42 | 556362 | Zyl.-Schraube | Cyl. head screw |
| 43 | 557263 | Scheibe | Washer |
| 45 | 74680222 | Klemmstück kpl. (mit Pos. 46) | Clamp cpl. (with pos. 46) |
| 46 | 93370175 | Zyl.-Schraube | Cyl. head screw |
| 47 | 2386530 | Zyl.-Schraube | Cyl. head screw |
| 49 | 7944610 | Auflage | Rest |
| 50 | 74680233 | Bolzen | Bolt |
| 51 | 570939a | Senkschraube | Countersunk screw |
| 52 | 74640100 | Gewindelassche | Threaded shackle |
| 53 | 74680235 | Anschlag | Stop |
| 54 | 74680236 | Anschlag | Stop |
| 55 | 911339 | Linsenschraube | Fillister head screw |
| 56 | 74640074 | Distanzstück | Distance piece |
| 57 | 9336268 | Linsenschraube | Fillister head screw |
| 58 | 2113058 | Ring | Ring |
| 59 | 7441694 | Zyl.-Schraube | Cyl. head screw |
| 60 | 7944522 | Anschlag, rechts | Stop, right hand |
| 61 | 797412 | Drosselventil | Throttle valve |
| 62 | 7927234a | Buchse | Bushing |
| 63 | 570138 | Sicher.-Scheibe | Lock washer |
| 65 | 7944603 | Verlängerung | Lengthening piece |
| 66 | 5691895 | Scheibe | Washer |
| 67 | 202704 | 6kt.-Mutter | Hexagonal nut |
| 68 | 74680190 | Bolzen Bolt | |
| | | * Für 220 mm Nählänge | * For 220 mm Sewing length |

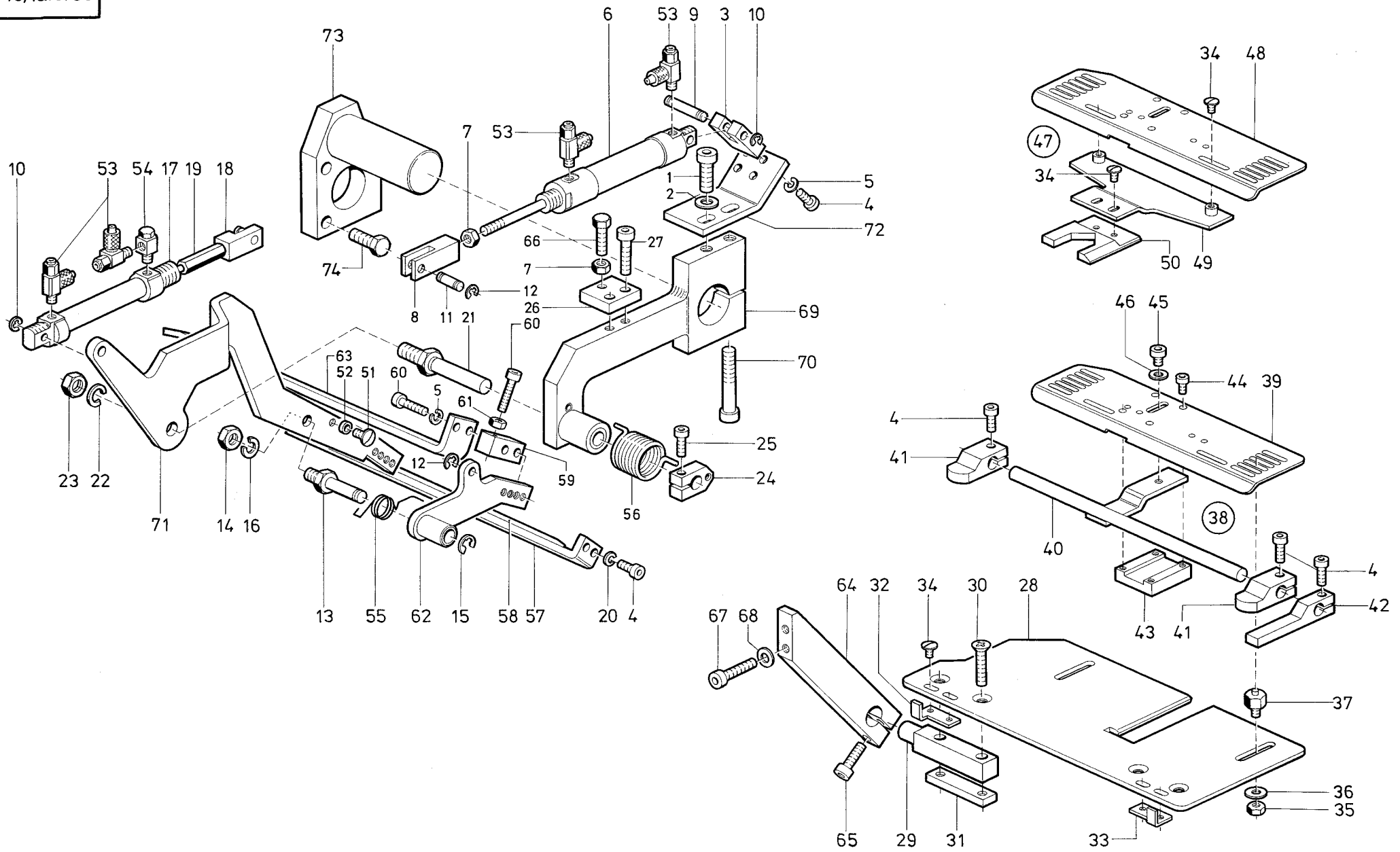
| Pos. Det. | Teile Nr. Part No. | Benennung | Denomination |
|-----------|--------------------|-----------|--------------|
| | | | |



| Pos. Det. | Teile Nr. Part No. | Benennung | Denomination |
|-----------|--------------------|-------------------------------------------------|-------------------------------------------------------|
| | 7944901 | Zuführeinrichtung links und rechts, kpl. | Feeding Mechanis left hand and right hand cpl. |
| 1 | 556362 | Zyl.-Schraube | Cyl. head screw |
| 2 | 557263 | Scheibe | Washer |
| 3 | 74680166 | Lagerbock | Bearing block |
| 4 | 570912 | Zyl.-Schraube | Cyl. head screw |
| 5 | 5561075 | Federring | Spring ring |
| 6 | 74221996 | Zylinder | Cylinder |
| 7 | MG 8/7d | 6kt.-Mutter | Hexagonal nut |
| 8 | 74680173 | Gabelkopf | Fork head |
| 9 | Z 11811 | Zylinderstift | Cylinder pin |
| 10 | 255129 | Sicher.-Scheibe | Lock washer |
| 11 | MG 43/2970 | Bolzen | Bolt |
| 12 | 570138 | Sicher.-Scheibe | Lock washer |
| 13 | 74680190 | Bolzen | Bolt |
| 14 | MG 43/408 | 6kt.-Mutter | Hexagonal nut |
| 15 | 211100a | Sicher.-Scheibe | Lock washer |
| 16 | 7441131 | Federring | Spring ring |
| 17 | 7971532 | Zylinder | Cylinder |
| 18 | 7944045a | Kloben | Block |
| 19 | 7944047 | Hülse | Sleeve |
| 20 | 74680206 | Bolzen | Bolt |
| 21 | 725520b | Federring | Spring ring |
| 22 | 72042a | 6kt.-Mutter | Hexagonal nut |
| 23 | 74680212 | Stellkloben | Adjusting block |
| 24 | 7441968 | Zyl.-Schraube | Cyl. head screw |
| 25 | 2386530 | Zyl.-Schraube | Cyl. head screw |
| 26 | 024275 | Scheibe | Washer |
| 27 | 74680231 | Auflage | Rest |
| 28 | 74680233 | Bolzen | Bolt |
| 29 | 570939a | Senkschraube | Countersunk screw |
| 30 | 74640100 | Gewindelasche | Thread shackle |
| 31 | 74680235 | Anschlag | Stop |
| 32 | 74680236 | Anschlag | Stop |
| 33 | 911339 | Linsenschraube | Fillister head screw |
| 34 | 202704 | 6kt.-Mutter | Hexagonal nut |
| 35 | 5691895 | Scheibe | Washer |
| 36 | 9336268 | Linsenschraube | Fillister head screw |
| 37 | 2113058 | Ring | Ring |
| 38 | 570912 | Zyl.-Schraube | Cyl. head screw |
| 39 | 5561075 | Federring | Spring ring |
| 40 | 7944512 | Hebel | Lever |

| Pos. Det. | Teile Nr. Part No. | Benennung | Denomination |
|-----------|--------------------|--------------------------------|-------------------------------------|
| 41 | 74680315 | Klemmleiste kpl. (mit Pos. 42) | Clamping reglet cpl. (with pos. 42) |
| 42 | 0020090229000 | Klebeband | Adhesive tape |
| 43 | 74680316a | Klemmleiste, links | Clamping reglet, left hand |
| 44 | 74680317 | Hebel | Lever |
| 45 | 7944520 | Drehfeder | Torsion spring |
| 46 | 74680321 | Drehfeder | Torsion spring |
| 47 | 7944522 | Anschlag | Stop |
| 48 | 797412 | Drosselventil | Throttle valve |
| 49 | 7944837 | Zwischenstück | Adjusting piece |
| 50 | 7461212 | Zyl.-Schraube | Cyl. head screw |
| 51 | 202704 | 6kt.-Mutter | Hexagonal nut |
| 52 | 7944907 | Platte | Plate |
| 53 | 7944806 | Halter kpl. (mit Pos. 54) | Holder cpl. (with pos. 54) |
| 54 | 7441694 | Zyl.-Schraube | Cyl. head screw |
| 55 | 7944813 | Platte | Plate |
| 56 | 7944815 | Klemmstück kpl. (mit Pos. 57) | Clamping piece cpl. (with pos. 57) |
| 57 | 93311296 | Zyl.-Schraube | Cyl. head screw |
| 58 | 74240277 | Zyl.-Schraube | Cyl. head screw |
| 59 | 93910071 | 6kt.-Schraube | Hexagonal screw |
| 60 | 7944603 | Verlängerung | Lengthening piece |
| 61 | 74640074 | Distanzstück | Distance piece |

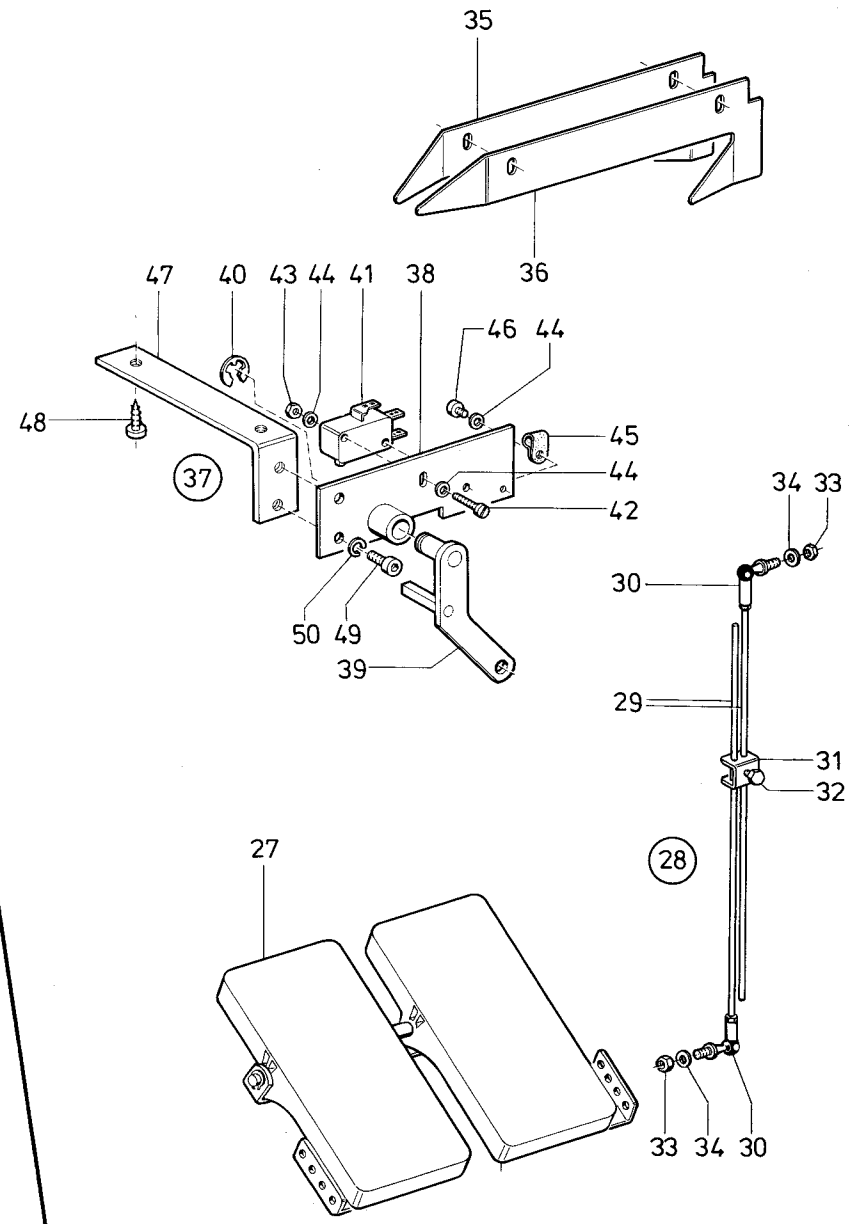
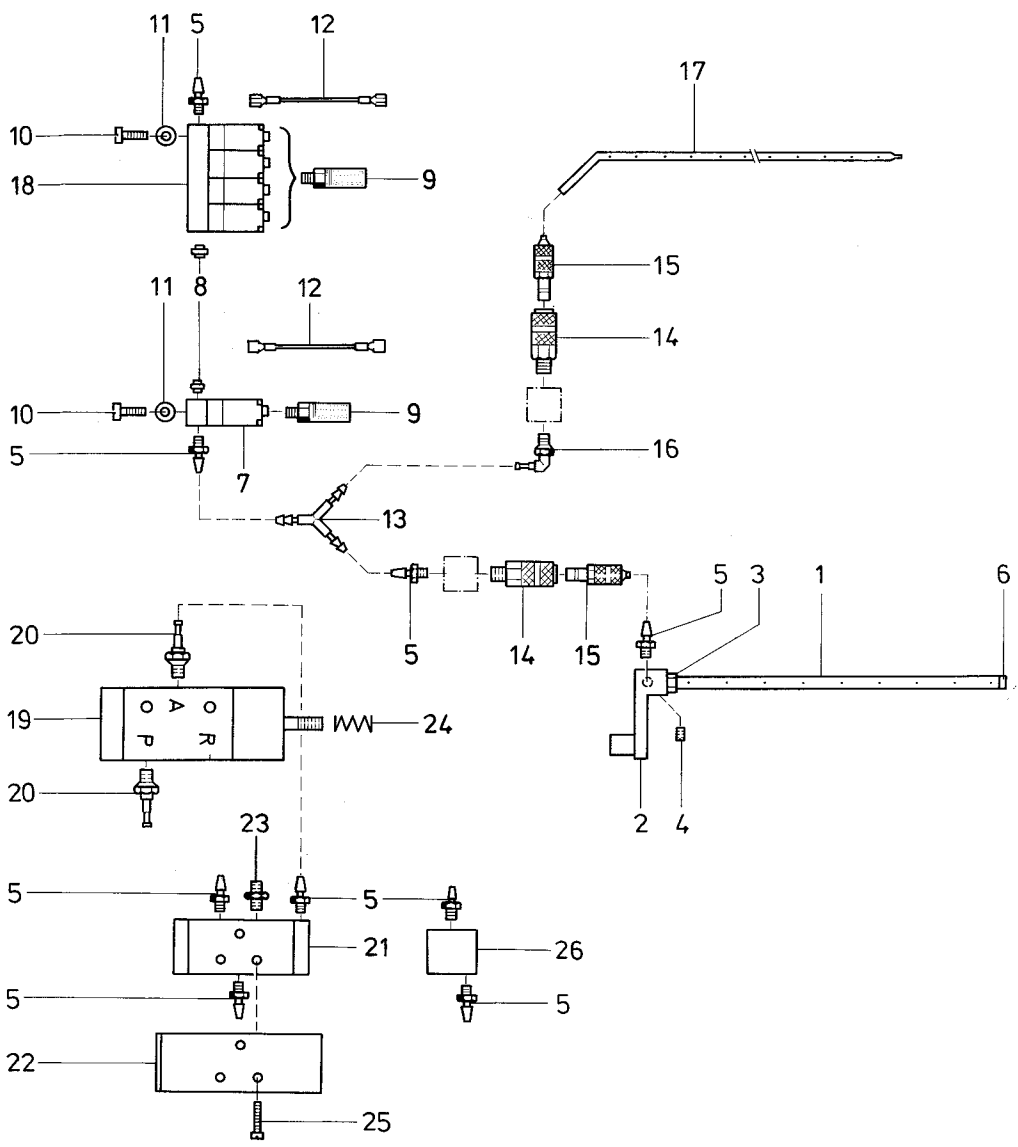
| Pos. Det. | Teile Nr. Part No. | Benennung | Denomination |
|-----------|--------------------|-----------|--------------|
|-----------|--------------------|-----------|--------------|



| Pos. Det. | Teile Nr. Part No. | Benennung | Denomination |
|-----------|--------------------|-------------------------------------------------------|-----------------------------------------------------------|
| | | Zuführeinrichtung, links und rechts | Feeding Mechanis, left hand and right hand |
| 1 | 556362 | Zyl.-Schraube | Cyl. head screw |
| 2 | 557263 | Scheibe | Washer |
| 3 | 74680166 | Lagerbock | Bearing block |
| 4 | 570912 | Zyl.-Schraube | Cyl. head screw |
| 5 | 5561075 | Federring | Spring ring |
| 6 | 74221996 | Zylinder | Cylinder |
| 7 | MG 8/7d | 6kt.-Mutter | Hexagonal nut |
| 8 | 74680173 | Gabelkopf | Fork head |
| 9 | Z 11811 | Zylinderstift | Cylinder pin |
| 10 | 255129 | Sicher.-Scheibe | Lock washer |
| 11 | MG 43/2970 | Bolzen | Bolt |
| 12 | 570138 | Sicher.-Scheibe | Lock washer |
| 13 | 74680190 | Bolzen | Bolt |
| 14 | MG 43/408 | 6kt.-Mutter | Hexagonal nut |
| 15 | 211100a | Sicher.-Scheibe | Lock washer |
| 16 | 7441131 | Federring | Spring ring |
| 17 | 7971532 | Zylinder | Cylinder |
| 18 | 7944045a | Kloben | Block |
| 19 | 7944047 | Hülse | Sleeve |
| 20 | 5561075 | Federring | Spring ring |
| 21 | 74680206 | Bolzen | Bolt |
| 22 | 725520b | Federring | Spring ring |
| 23 | 72042a | 6kt.-Mutter | Hexagonal nut |
| 24 | 74680212 | Stellkloben | Adjusting block |
| 25 | 7441968 | Zyl.-Schraube | Cyl. head screw |
| 26 | 74680216 | Platte | Plate |
| 27 | 93370175 | Zyl.-Schraube | Cyl. head screw |
| 28 | 74680232 | Auflage | Rest |
| 29 | 74680233 | Bolzen | Bolt |
| 30 | 570939a | Senkschraube | Countersunk screw |
| 31 | 74640100 | Gewindelasche | Thread shackle |
| 32 | 74680235 | Anschlag | Stop |
| 33 | 74680236 | Anschlag | Stop |
| 34 | 911339 | Linsenschraube | Fillister head screw |
| 35 | 202704 | 6kt.-Mutter | Hexagonal nut |
| 36 | 5691895 | Scheibe | Washer |
| 37 | 74640074 | Distanzstück | Distance piece |
| 38 | 7928311 | Formanschlag kpl. (best. aus Pos. 4, 39 bis 46) | Shape stop cpl. (cons. of pos. 4, 39 up to 46) |
| 39 | 74640338 | Halter | Holder |

| Pos. Det. | Teile Nr. Part No. | Benennung | Denomination |
|-----------|--------------------|---------------------------------------------------------|------------------------------------------------------|
| 40 | 7928321 | Stange | Rod |
| 41 | 7928326 | Kloben kpl. (mit Pos. 4) | Block cpl. (with pos. 4) |
| 42 | 7928328 | Anschlag kpl. (mit Pos. 4) | Stop cpl. (with pos. 4) |
| 43 | 7928334 | Führung | Guidance |
| 44 | 216497 | Zyl.-Schraube | Cyl. head screw |
| 45 | 223723 | Zyl.-Schraube | Cyl. head screw |
| 46 | 55890 | Scheibe | Washer |
| 47 | 74680281 | Formanschlag kpl. (best. aus Pos. 34, 48, 49, 50) | Shape stop cpl. (cons. of pos. 34, 48, 49, 50) |
| 48 | 74640338 | Halter | Holder |
| 49 | 74680283 | Platte | Plate |
| 50 | 74680287 | Aufnahme | Retainer |
| 51 | 9336268 | Linsenschraube | Fillister head screw |
| 52 | 2113058 | Ring | Ring |
| 53 | 797412 | Drosselventil | Throttle valve |
| 54 | 23810073 | Winkelstück | Square piece |
| 55 | 7944520 | Drehfeder | Torsion spring |
| 56 | 74680321 | Drehfeder | Torsion spring |
| 57 | 7944841 | Klemmleiste kpl. (mit Pos. 58) | Clamping reglet cpl. (with pos. 58) |
| 58 | 0020090229000 | Klebeband | Adhesive tape |
| 59 | 7944837 | Zwischenstück | Adjusting piece |
| 60 | 7461212 | Zyl.-Schraube | Cyl. head screw |
| 61 | 202704 | 6kt.-Mutter | Hexagonal nut |
| 62 | 74680317 | Hebel | Lever |
| 63 | 7944844 | Klemmleiste | Clamping reglet |
| 64 | 7944815 | Klemmstück kpl. (mit Pos. 65) | Clamping piece cpl. (with pos. 65) |
| 65 | 93311296 | Zyl.-Schraube | Cyl. head screw |
| 66 | 93910071 | 6kt.-Schraube | Hexagonal screw |
| 67 | 2386530 | Zyl.-Schraube | Cyl. head screw |
| 68 | 024275 | Scheibe | Washer |
| 69 | 7944913 | Halter kpl. (mit Pos. 70) | Holder cpl. (with pos. 70) |
| 70 | 7441694 | Zyl.-Schraube | Cyl. head screw |
| 71 | 7944922 | Hebel | Lever |
| 72 | 7944926 | Platte | Plate |
| 73 | 7944931 | Verbinder | Connector |
| 74 | 719127 | 6kt.-Schraube | Hexagonal screw |

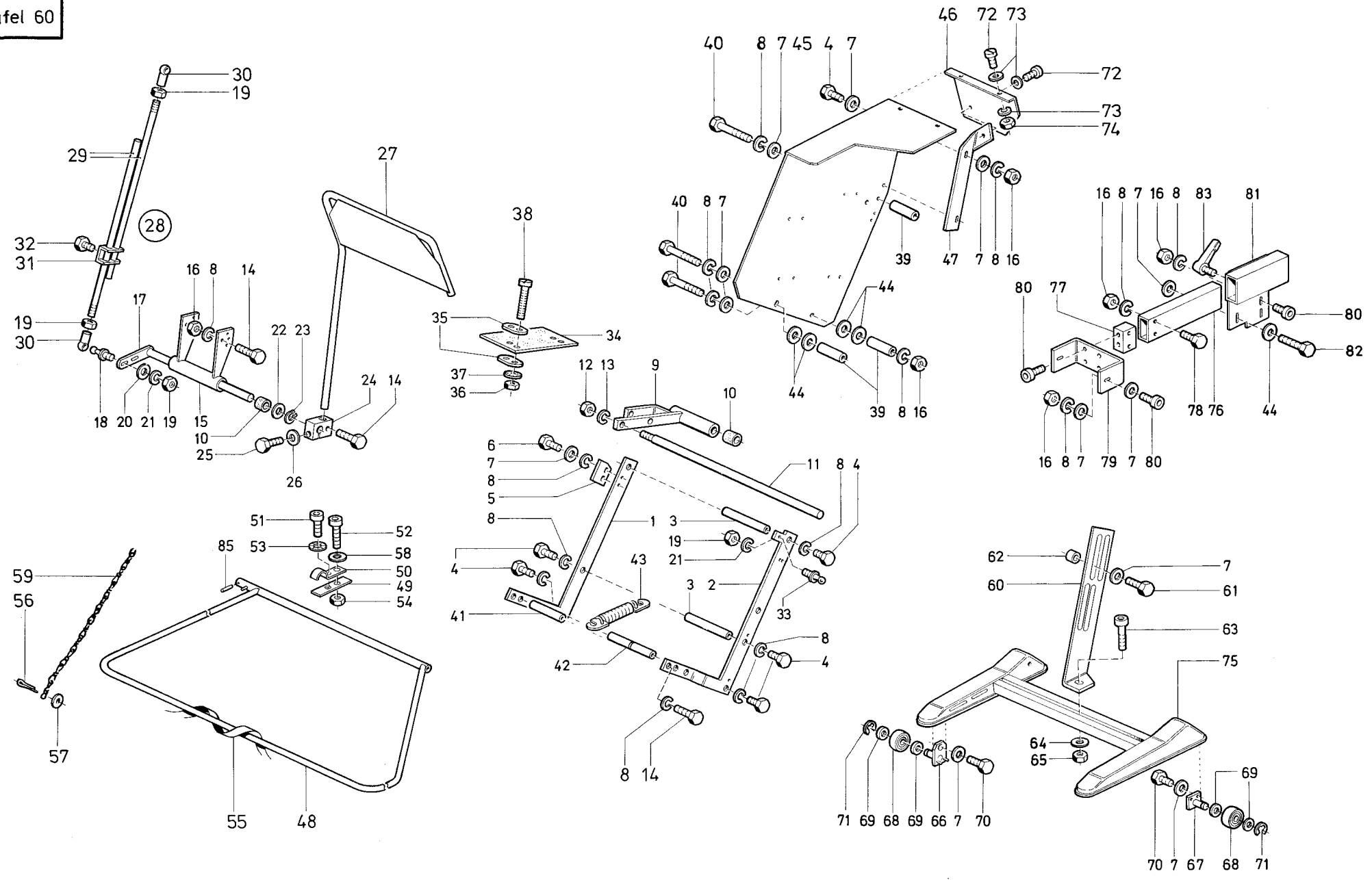
| Pos. Det. | Teile Nr. Part No. | Benennung | Denomination |
|-----------|--------------------|-----------|--------------|
|-----------|--------------------|-----------|--------------|



| Pos. Det. | Teile Nr. Part No. | Benennung | Denomination |
|-----------|--------------------|------------------------------------------------|---------------------------------------------------|
| | | Zuführeinrichtung, links und rechts | Feeding Mechanis, left hand and right hand |
| 1 | 7943505 | Blasrohr | Blowin pipe |
| 2 | 7943507 | Hebel | Lever |
| 3 | 216660 | 6kt.-Mutter | Hexagonal nut |
| 4 | 420328 | Gewindestift | Threaded stud |
| 5 | 7972016 | Schlauchtülle | Hose nozzle |
| 6 | 5701847 | Blindstopfen | Blind plug |
| 7 | 797331* | Magnetventil | Solenoid valve |
| 8 | 7443572 | Steckverbindung | Coupler plug |
| 9 | Z 11649 | Schalldämpfer | Silencer |
| 10 | 7441509 | Zyl.-Schraube | Cyl. head screw |
| 11 | 024275 | Scheibe | Washer |
| 12 | 74221623 | Leitung | Cable |
| 13 | 7972201 | Y-Verbindung | Y-connection |
| 14 | 74640378 | Kuppl.-Dose | Coupler socket |
| 15 | 74640379 | Kuppl.-Stecker | Coupler plug |
| 16 | 746768 | Schl.-Verschr. | Hose coupling screw |
| 17 | 7944958 | Blasrohr | Blowing pipe |
| 18 | 797334* | Magnetventil | Solenoid valve |
| 19 | Z 100344 | 3/2-Wegeventil | Valve |
| 20 | 7422238 | Schl.-Verschr. | Hose coupling screw |
| 21 | 797210 | 5/2-Wegeventil | Valve |
| 22 | 7944867 | Winkel | Angle |
| 23 | Z 11650 | Doppelnippel | Double nipple |
| 24 | 249131 | Druckfeder | Pressure spring |
| 25 | 5693278 | Zyl.-Schraube | Cyl. head screw |
| 26 | 55614291 | Oder-Baustein | Valve |
| 27 | MG 43/2548 | Pedal | Pedal |
| 28 | 74610921 | Gestänge kpl. (best. aus Pos. 29 bis 34) | Rods cpl. (cons. of pos. 29 up to 34) |
| 29 | 74610922 | Druckstange | Pressure bar |
| 30 | 5562267 | Kugelgelenk | Link |
| 31 | MG 43/403 | Klemme | Clamp |
| 32 | MG 43/404 | 6kt.-Schraube | Hexagonal screw |
| 33 | MG 43/409 | 6kt.-Mutter | Hexagonal nut |
| 34 | MG 43/2510 | Scheibe | Washer |
| 35 | 7944129 | Leitblech | Guide plate |
| 36 | 7944130 | Leitblech | Guide plate |
| 37 | 74680251 | Schalterplatte kpl. (best. aus Pos. 38 bis 50) | Switch plate cpl. (cons. of pos. 38 up to 50) |
| 38 | 74680252 | Lagerplatte | Bearing plate |

| Pos. Det. | Teile Nr. Part No. | Benennung | Denomination |
|-----------|--------------------|---------------------------------|---------------------------------------|
| 39 | 74680256 | Hebel | Lever |
| 40 | 93002119 | Sicher.-Scheibe | Lock washer |
| 41 | 739878 | Mikroschalter | Micro switch |
| 42 | 5693278 | Zyl.-Schraube | Cyl. head screw |
| 43 | 5511824 | 6kt.-Mutter | Hexagonal nut |
| 44 | 1005233 | Scheibe | Washer |
| 45 | 94210318 | Schelle | Clip |
| 46 | 739297 | Zyl.-Schraube | Cyl. head screw |
| 47 | 74680273 | Winkel | Angle |
| 48 | 7441115 | Holzschraube | Wood screw |
| 49 | 2461049 | Zyl.-Schraube | Cyl. head screw |
| 50 | 719124 | Federring | Spring ring |
| | 797322* | Magnetventil ohne Montageplatte | Solenoid valve without mounting plate |

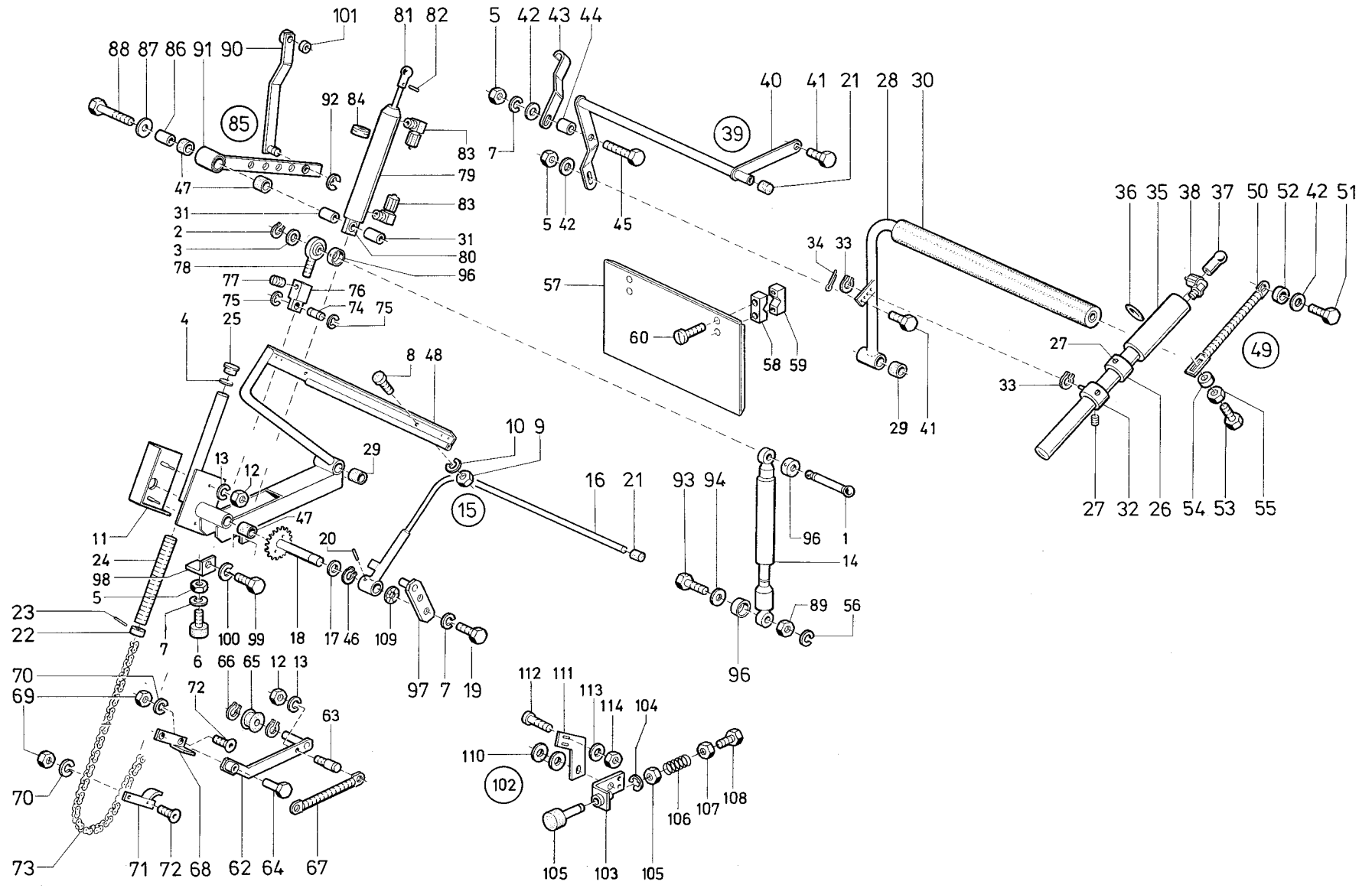
| Pos. Det. | Teile Nr. Part No. | Benennung | Denomination |
|-----------|--------------------|-----------|--------------|
|-----------|--------------------|-----------|--------------|



| Pos. Det. | Teile Nr. Part No. | Benennung | Denomination |
|-----------|--------------------|----------------------------------------------------|-------------------------------------------------|
| | | Staplerteile | Stacker parts |
| | 7941801 | Stapler kpl. | Stacker cpl. |
| 1 | Z 112102 | Halteleiste | Holding reglet |
| 2 | Z 112105 | Halteleiste | Holding reglet |
| 3 | Z 112109 | Welle | Shaft |
| 4 | App. 20160 | 6kt.-Schraube | Hexagonal screw |
| 5 | Z 112114 | Anschlag | Stop |
| 6 | MG 43/36 | 6kt.-Schraube | Hexagonal screw |
| 7 | 72043 | Scheibe | Washer |
| 8 | 725520b | Federring | Spring ring |
| 9 | Z 112121 | Klemmhebel kpl. (mit Pos. 10) | Clamping lever cpl. (with pos. 10) |
| 10 | Z 112127 | Buchse | Bushing |
| 11 | Z 112125 | Klemmstange | Clamping rod |
| 12 | 7425110a | 6kt.-Mutter | Hexagonal nut |
| 13 | 7425110 | Federring | Spring ring |
| 14 | 720127 | 6kt.-Schraube | Hexagonal screw |
| 15 | Z 112463 | Strebe kpl. (mit Pos. 8, 10, 14, 16) | Prop cpl. (with pos. 8, 10, 14, 16) |
| 16 | 72042a | 6kt.-Mutter | Hexagonal nut |
| 17 | Z 112471 | Hebel | Lever |
| 18 | 5701220 | Kugelbolzen | Ball pin |
| 19 | MG 43/409 | 6kt.-Mutter | Hexagonal nut |
| 20 | 557263 | Scheibe | Washer |
| 21 | 7441131 | Federring | Spring ring |
| 22 | 7441492 | Scheibe | Washer |
| 23 | Z 112224 | Sicher.-Ring | Circlip |
| 24 | Z 112478 | Kloben kpl. (mit Pos. 14, 25, 26) | Block cpl. (with pos. 14, 25, 26) |
| 25 | MG 41/1263 | 6kt.-Schraube | Hexagonal screw |
| 26 | MG 41/1356 | Scheibe | Washer |
| 27 | Z 112483 | Gegenhalter | Holder-up |
| 28 | Z 112499 | Stange kpl. (best. aus Pos. 19, 29, 30, 31, 32) | Rods cpl. (cons. of pos. 19, 29, 30, 31, 32) |
| 29 | Z 112500 | Stange | Rod |
| 30 | 211616 | Kugelpfanne | Ball socket |
| 31 | MG 43/403 | Klemme | Clamp |
| 32 | MG 43/404 | 6kt.-Schraube | Hexagonal screw |
| 33 | 5701220 | Kugelbolzen | Ball pin |
| 34 | Z 1129973 | Gummiplatte | Rubber plate |
| 35 | 2461218 | Lasche | Shackle |
| 36 | 202704 | 6kt.-Mutter | Hexagonal nut |
| 37 | 739347 | Zahnscheibe | Tooth lock washer |

| Pos. Det. | Teile Nr. Part No. | Benennung | Denomination |
|-----------|--------------------|----------------------------------------------------------------------------|---------------------------------------------------------------------------------|
| 38 | 74424336 | Zyl.-Schraube | Cyl. head screw |
| 39 | Z 112454 | Hülse | Sleeve |
| 40 | MG 41/1255 | 6kt.-Schraube | Hexagonal screw |
| 41 | Z 112284 | Achse | Axle |
| 42 | Z 112110 | Achse | Axle |
| 43 | Z 112165k | Zugfeder | Draw spring |
| 44 | 700444 | Scheibe | Washer |
| 45 | Z 1129993 | Schutzblech | Guard plate |
| 46 | Z 1129995 | Deckblech | Covering plate |
| 47 | Z 1129999 | Lasche | Shackle |
| 48 | 74610631k | Schutzrahmen kpl. (mit Pos. 49, 50, 51, 52, 53, 54, 55, 56, 57, 58, 85) | Protective frame cpl. (with pos. 49, 50, 51, 52, 53, 54, 55, 56, 57, 58, 85) |
| 49 | 74610636 | Leiste | Reglet |
| 50 | 74610637 | Scharnier | Hinge |
| 51 | 7461077 | Zyl.-Schraube | Cyl. head screw |
| 52 | 556362 | Zyl.-Schraube | Cyl. head screw |
| 53 | 211609 | Zahnscheibe | Tooth lock washer |
| 54 | MG 43/408 | 6kt.-Mutter | Hexagonal nut |
| 55 | Z 11210515 | Markierungsband | Marking strip |
| 56 | 255356 | Splint | Split pin |
| 57 | 5691895 | Scheibe | Washer |
| 58 | 7461692 | Scheibe | Washer |
| 59 | 052360B | Kette | Chain |
| 60 | Z 1121522 | Haltestrebe | Holding prop |
| 61 | 720127 | 6kt.-Schraube | Hexagonal screw |
| 62 | 93916830 | Distanzring | Distance ring |
| 63 | Z 112392 | Zyl.-Schraube | Cyl. head screw |
| 64 | MG 4/6 | Scheibe | Washer |
| 65 | MG 43/13 | 6kt.-Mutter | Hexagonal nut |
| 66 | 74610651 | Lagerplatte | Bearing plate |
| 67 | 74610658 | Lagerplatte | Bearing plate |
| 68 | 74610661 | Laufrolle | Roll |
| 69 | MG 41/1356 | Scheibe | Washer |
| 70 | 720131 | 6kt.-Schraube | Hexagonal screw |
| 71 | 265289 | Sicher.-Scheibe | Lock washer |
| 72 | 74450241 | Zyl.-Schraube | Cyl. head screw |
| 73 | 74450243 | Scheibe | Washer |
| 74 | MG 8/7d | 6kt.-Mutter | Hexagonal nut |
| 75 | Z 1121504a | Gestellfuß | Mounting Foot |
| 76 | 7941806 | Holm | String piece |
| 77 | 7441013 | Rohrverbinder | Tube connector |
| 78 | 720607 | 6kt.-Schraube | Hexagonal screw |
| 79 | 74610598 | Winkel | Angle |

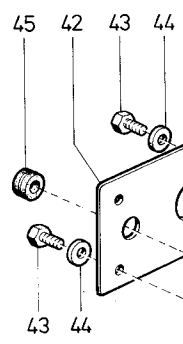
| Pos. Det. | Teile Nr. Part No. | Benennung | Denomination |
|-----------|--------------------|---------------|-----------------|
| 80 | 911376 | Zyl.-Schraube | Cyl. head screw |
| 81 | 7941895 | Holm | String piece |
| 82 | MG 41/1305 | 6kt.-Schraube | Hexagonal screw |
| 83 | 74610608 | Klemmhebel | Clamping lever |
| 85 | TG 42/99 | Spannhülse | Clamping sleeve |



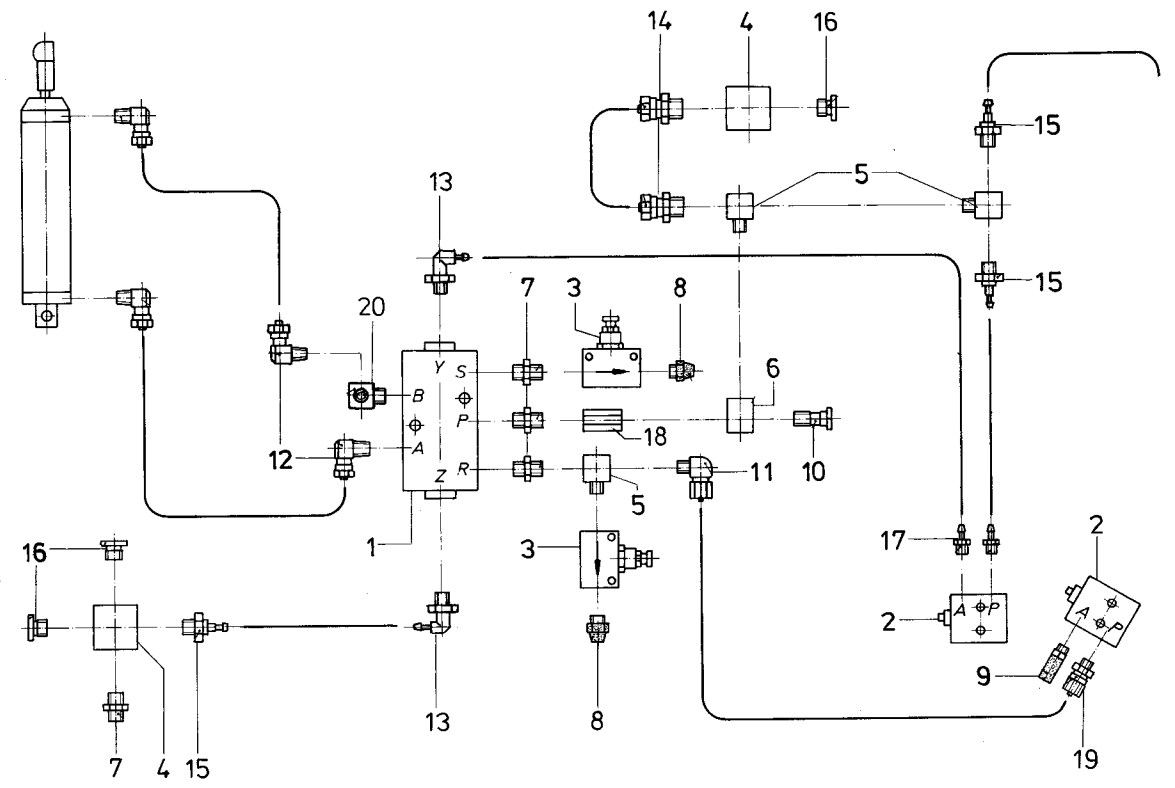
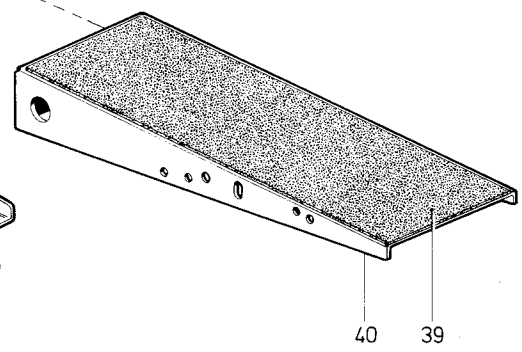
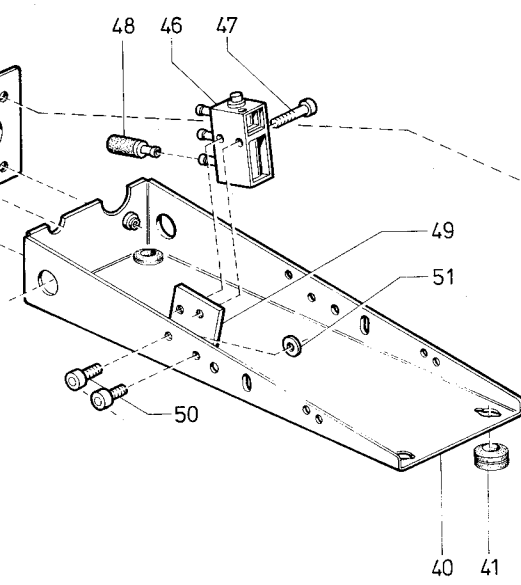
| Pos. Det. | Teile Nr. Part No. | Benennung | Denomination |
|-----------|--------------------|--------------------------------------------------------------------------|--------------------------------------------------------------------------|
| | 7941081 | Stapler kpl. | Stacker cpl. |
| 1 | Z 112129a | Kugelbolzen | Ball pin |
| 2 | 650353 | Sicher.-Ring | Circlip |
| 3 | 216216 | Scheibe | Washer |
| 4 | Z 112153 | Sicher.-Ring | Circlip |
| 5 | 72042a | 6kt.-Mutter | Hexagonal nut |
| 6 | Z 112164 | Gummipuffer | Rubber buffer |
| 7 | 725520b | Federring | Spring ring |
| 8 | Z 112167 | Anschlagpuffer | Rubber buffer |
| 9 | MG 43/409 | 6kt.-Mutter | Hexagonal nut |
| 10 | 7441131 | Federring | Spring ring |
| 11 | Z 112171 | Abdeckhaube | Covering cap |
| 12 | MG 43/408 | 6kt.-Mutter | Hexagonal nut |
| 13 | 5692773 | Federring | Spring ring |
| 14 | 74422278 | Stoßdämpfer | Shock absorber |
| 15 | Z 112204 | Umschläger kpl. (best. aus Pos. 16 bis 21, 46) | Overtuner cpl. (cons. of pos. 16 up to 21, 46) |
| 16 | Z 112205 | Umschläger | Overtuner |
| 17 | 7441492 | Scheibe | Washer |
| 18 | Z 112211 | Umschlägerwelle | Overtuner shaft |
| 19 | 720127 | 6kt.-Schraube | Hexagonal screw |
| 20 | 5702383 | Spannhülse | Clamping sleeve |
| 21 | Z 1121110 | Schutzkappe | Protective cap |
| 22 | Z 112243 | Kolben | Piston |
| 23 | 204128 | Stift | Pin |
| 24 | Z 112246 | Druckfeder | Pressure spring |
| 25 | 911333 | Schutzkappe | Protective cap |
| 26 | Z 112249 | Ring kpl. (mit Pos. 27) | Ring cpl. (with pos. 27) |
| 27 | 911668 | Gewindestift | Threaded stud |
| 28 | Z 112271 | Stapelhebel kpl. (mit Pos. 29, 30) | Stacker lever cpl. (with pos. 29, 30) |
| 29 | 7461204 | Buchse | Bushing |
| 30 | Z 112278 | Schlauch | Hose |
| 31 | Z 112295 | Rohr | Tube |
| 32 | Z 112441k | Klemmring kpl. (mit Pos. 27, 33, 34) | Clamping ring cpl. (with pos. 27, 33, 34) |
| 33 | 74422395 | Greifring | Grip ring |
| 34 | 93311327 | Split | Split pin |
| 35 | Z 1121968 | Zylinder kpl. (mit Pos. 36, 37, 38 und auf Tafel 60, Pos. 19, 21, 33) | Cylinder cpl. (with pos. 36, 37, 38 and on table 60, pos. 19, 21, 33) |

| Pos. Det. | Teile Nr. Part No. | Benennung | Denomination |
|-----------|--------------------|------------------------------------------------------------|-----------------------------------------------------------------|
| 36 | Z 1121937a | Nutring | Grooved ring |
| 37 | 211616 | Kugelpfanne | Ball socket |
| 38 | 74423556 | Schl.-Verschr. | Hose coupling screw |
| 39 | Z 1122061 | Stapelgutträger kpl. (best. aus Pos. 5, 21, 40, 41, 42) | Stacker prod. carrier cpl. (cons. of pos. 5, 21, 40, 41, 42) |
| 40 | Z 1122062 | Tragrohr | Supporting tube |
| 41 | App. 20160 | 6kt.-Schraube | Hexagonal screw |
| 42 | 72043 | Scheibe | Washer |
| 43 | Z 1121093 | Bügel | Bow |
| 44 | 93916830 | Distanzring | Distance ring |
| 45 | 720293 | 6kt.-Schraube | Hexagonal screw |
| 46 | Z 1122224 | Sicher.-Ring | Circlip |
| 47 | Z 112127 | Buchse | Bushing |
| 48 | Z 112135 | Klemmhebel kpl. (mit Pos. 29 und 47) | Clamping lever cpl. (with pos. 29 and 47) |
| 49 | Z 112741 | Zusatzfeder kpl. (best. aus Pos. 42, 50 bis 55) | Special spring cpl. (cons. of pos. 42, 50 up to 55) |
| 50 | Z 112743 | Zugfeder | Draw spring |
| 51 | 720607 | 6kt.-Mutter | Hexagonal nut |
| 52 | MG 41/4606 | Abstandsrohr | Distance tube |
| 53 | 216211 | 6kt.-Schraube | Hexagonal screw |
| 54 | 93370265 | Buchse | Bushing |
| 55 | 5701287 | 6kt.-Mutter | Hexagonal nut |
| 56 | 7421475 | Federring | Spring ring |
| 57 | 7941886 | Platte | Plate |
| 58 | 74660974 | Klemmbock | Clamping block |
| 59 | 74660975 | Klemmbock | Clamping block |
| 60 | 7941889 | Linsenschraube | Fillister head screw |
| 62 | Z 11216122 | Hebel | Lever |
| 63 | Z 11216137 | Bolzen | Bolt |
| 64 | Z 11216130 | Bolzen | Bolt |
| 65 | Z 11216133 | Rolle | Roll |
| 66 | 74422395 | Greifring | Grip ring |
| 67 | Z 11216136k | Zugfeder | Draw spring |
| 68 | Z 11216137a | Bef.-Winkel | Fastening angle |
| 69 | MG 8/7d | 6kt.-Mutter | Hexagonal nut |
| 70 | 719124 | federring | Spring ring |
| 71 | Z 11216140 | Anschlag | Stop |
| 72 | 29189 | Senkschraube | Countersunk screw |
| 73 | Z 11216141 | Kette | Chain |
| 74 | Z 11216142 | Bolzen | Bolt |
| 75 | 10019228 | Sicher.-Scheibe | Lock washer |
| 76 | Z 11216144 | Kloben | Block |

| Pos. Det. | Teile Nr. Part No. | Benennung | Denomination |
|-----------|--------------------|---------------------------------------------------------------------------------|-------------------------------------------------------------------------------|
| 77 | 223646 | Gewindestift | Threaded stud |
| 78 | 74223001 | Gelenklager | Special bearing |
| 79 | Z 112291k | Zylinder kpl. (mit Pos. 80 bis 84) | Cylinder cpl. (with pos. 80 up to 84) |
| 80 | Z 112292 | Speziallager | Special bearing |
| 81 | 7423255 | Kugelpfanne | Ball socket |
| 82 | 713387 | Spannhülse | Clamping sleeve |
| 83 | 7972302 | Schl.-Verschr. | Hose coupling screw |
| 84 | Z 112291a | Doppelnutring | Double grooved ring |
| 85 | Z 112381 | Bausatz kpl. (zur Verkürzung des Stapelganges, best. aus Pos. 86 bis 96) | Kid cpl. (for reducing Stacker proceedings, cons. of pos. 86 up to 96) |
| 86 | Z 11210015 | Abstandshülse | Distance sleeve |
| 87 | 5701201 | Scheibe | Washer |
| 88 | Z 112390 | 6kt.-Schraube | Hexagonal screw |
| 89 | 74421240 | 6kt.-Mutter | Hexagonal nut |
| 90 | Z 112401 | Hebel kpl. (mit Pos. 91) | Lever cpl. (with pos. 91) |
| 91 | Z 112382 | Hebel kpl. (mit Pos. 47) | Lever cpl. (with pos. 47) |
| 92 | 7443142 | Sicher.-Scheibe | Lock washer |
| 93 | Z 112407 | 6kt.-Schraube | Hexagonal screw |
| 94 | 7422163 | Scheibe | Washer |
| 96 | Z 11216147 | Schutzkappe | Protective cap |
| 97 | Z 1121661 | Lasche | Shackle |
| 98 | Z 112155 | Winkel | Angle |
| 99 | MG 43/11 | 6kt.-Schraube | Hexagonal screw |
| 100 | MG 43/12 | Federring | Spring ring |
| 101 | 79364904 | Buchse | Bushing |
| 102 | Z 11210221 | Teilesatz kpl. (best. aus Pos. 97, 103 bis 110) | Set of parts cpl. (cons. of pos. 97, 103 up to 110) |
| 103 | Z 11216152 | Winkel | Angle |
| 104 | 650353 | Sicher.-Scheibe | Lock washer |
| 105 | Z 11216156 | Puffer | Buffer |
| 106 | 23817122 | Druckfeder | Pressure spring |
| 107 | 202704 | 6kt.-Mutter | Hexagonal nut |
| 108 | 2691023 | 6kt.-Schraube | Hexagonal screw |
| 109 | 557134 | Zahnscheibe | Tooth lock washer |
| 110 | 700444 | Scheibe | Washer |
| 111 | Z 112638 | Lasche | Shackle |
| 112 | Z 111162 | Zyl.-Schraube | Cyl. head screw |
| 113 | 5691895 | Scheibe | Washer |
| 114 | 202704 | 6kt.-Mutter | Hexagonal nut |



38

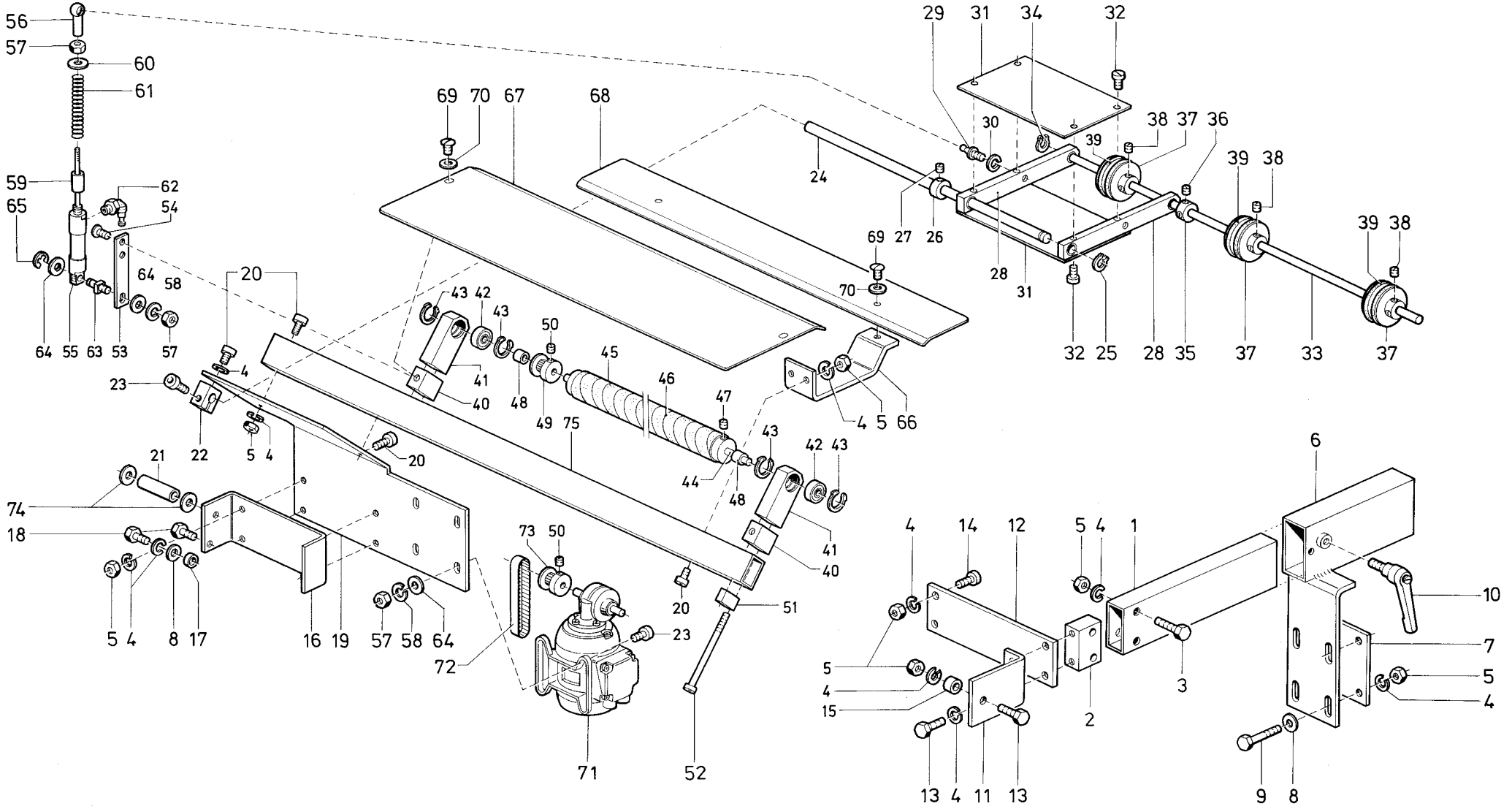


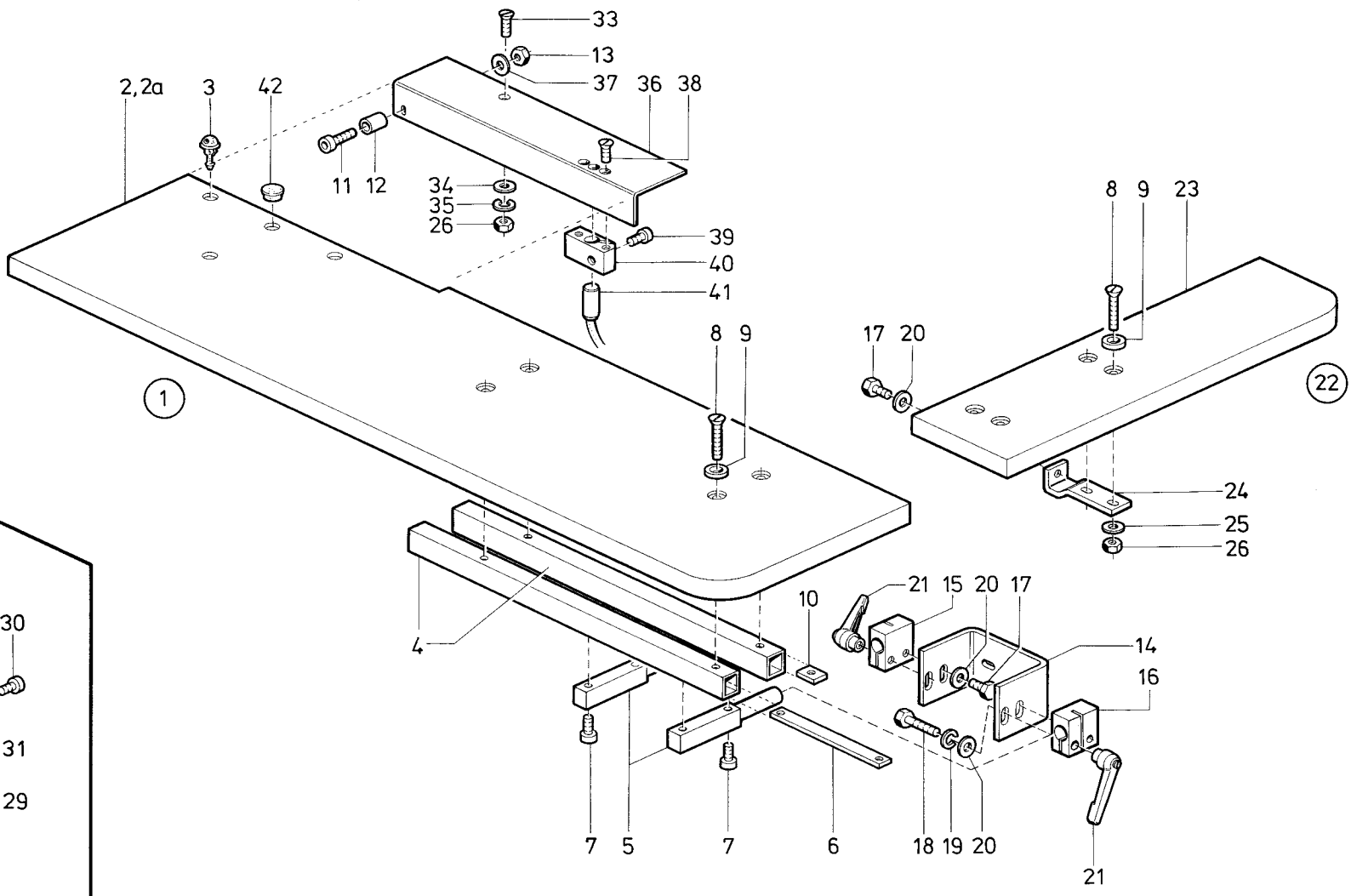
40 39

| Pos. Det. | Teile Nr. Part No. | Benennung | Denomination |
|-----------|--------------------|---------------------------------------------------|----------------------------------------------------|
| | | Stapler | Stacker |
| 1 | Z 112593 | 4/2-Wege-Ventil | 4/2-Distributor valve |
| 2 | 79715 | 3/2-Wegeventil | 3/2-Distributor valve |
| 3 | 7441820 | Drosselventil | Throttle valve |
| 4 | 7449491 | Verteilerstück | Distributor |
| 5 | 7442526 | T-Stück | T-piece |
| 6 | 7426318 | Winkelstück | Supporting angle piece |
| 7 | 7441819 | Doppelnippel | Double nipple |
| 8 | 7973193 | Schalldämpfer | Silencer |
| 9 | Z 11649 | Schalldämpfer | Silencer |
| 10 | 7426320 | Luftschraube | Hollow screw |
| 11 | 74423556 | Schl.-Verschr. | Hose coupling screw |
| 12 | 7972302 | Schl.-Verschr. | Hose coupling screw |
| 13 | 7972252 | Schl.-Verschr. | Hose coupling screw |
| 14 | 7441816 | Schl.-Verschr. | Hose coupling screw |
| 15 | 7422238 | Schl.-Verschr. | Hose coupling screw |
| 16 | P 12159 | Blindstopfen | Blind |
| 17 | 7972016 | Schlauchtülle | Hose nozzle |
| 18 | 7442528 | Muffe | Bushing |
| 19 | 7221139 | Schl.-Verschr. | Hose coupling screw |
| 20 | P 12153 | Winkelstück | Supporting angle piece |
| 38 | 797143 | Fußschalter kpl. (best. aus Pos. 39 bis 51) | Foot switch cpl. (cons. of pos. 39 up to 51) |
| 39 | 79368394 | Platte | Plate |
| 40 | 79368395 | Winkelblech | Angle plate |
| 41 | 798221022 | Durchführungstülle | Nozzle |
| 42 | 79368404 | Blattfeder | Leaf spring |
| 43 | 2401285 | 6kt.-Schraube | Hexagonal screw |
| 44 | 024275 | Scheibe | Washer |
| 45 | MG 41/8414 | Durchführungstülle | Nozzle |
| 46 | 79720 | Ventil | Valve |
| 47 | 7461212 | Zyl.-Schraube | Cyl. head screw |
| 48 | 7973194 | Schalldämpfer | Silencer |
| 49 | 794123 | Platte | Plate |
| 50 | 9339478 | Zyl.-Schraube | Cyl. head screw |
| 51 | 1005233 | Scheibe | Washer |

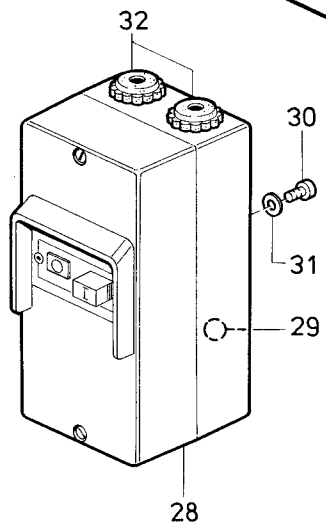
| Pos. Det. | Teile Nr. Part No. | Benennung | Denomination |
|-----------|--------------------|-----------|--------------|
|-----------|--------------------|-----------|--------------|

| Pos. Det. | Teile Nr. Part No. | Benennung | Denomination |
|-----------|--------------------|-----------|--------------|
|-----------|--------------------|-----------|--------------|





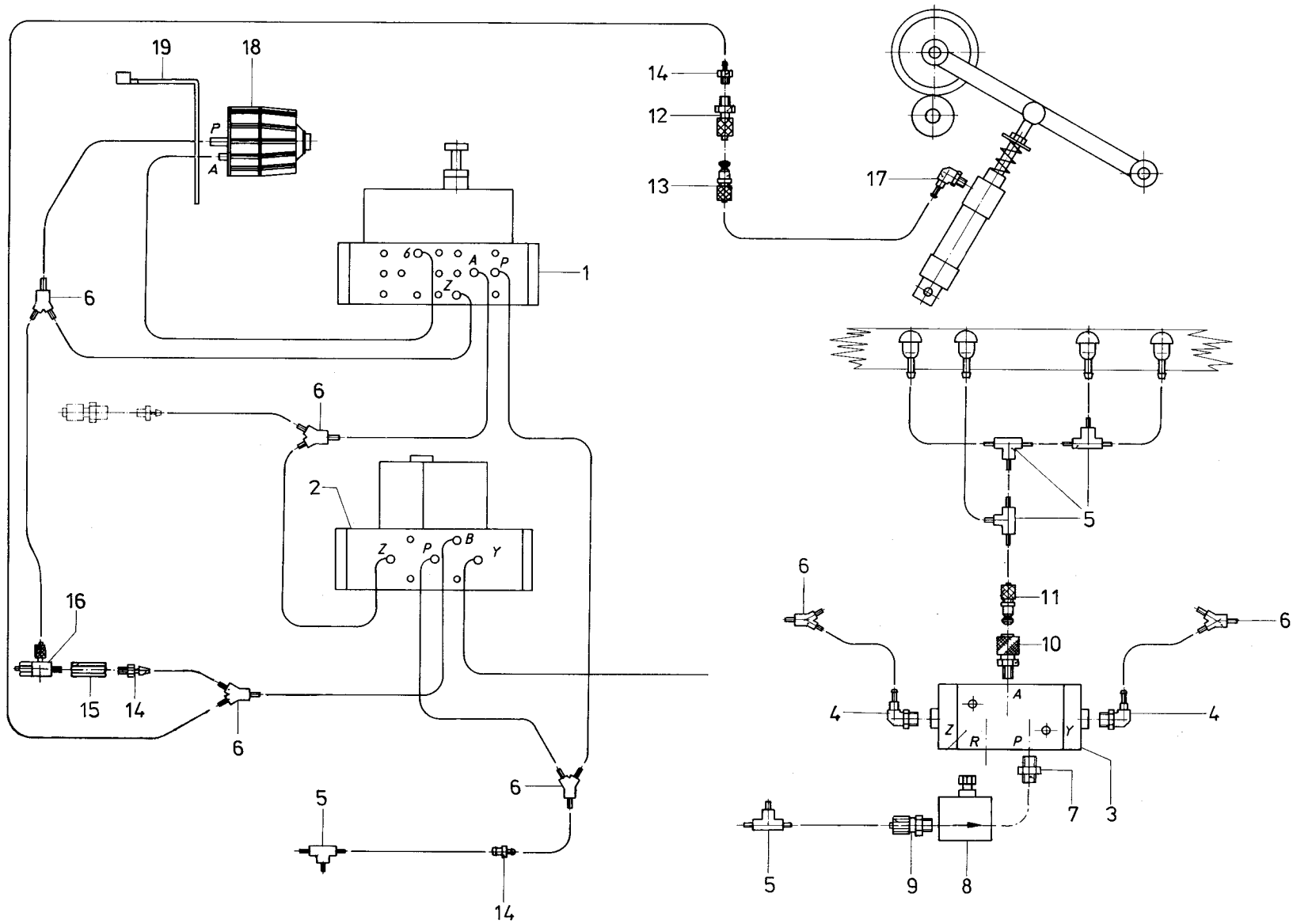
27

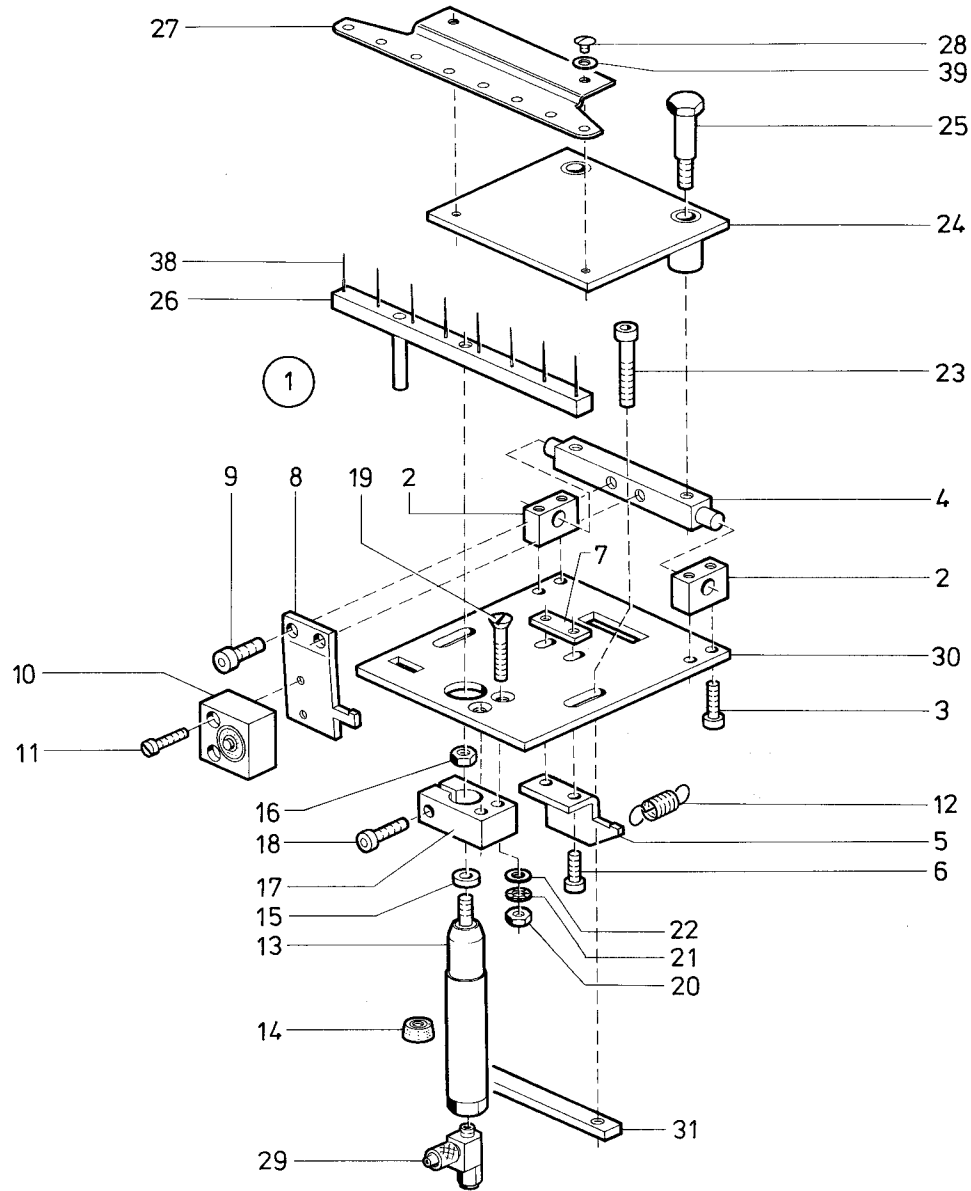
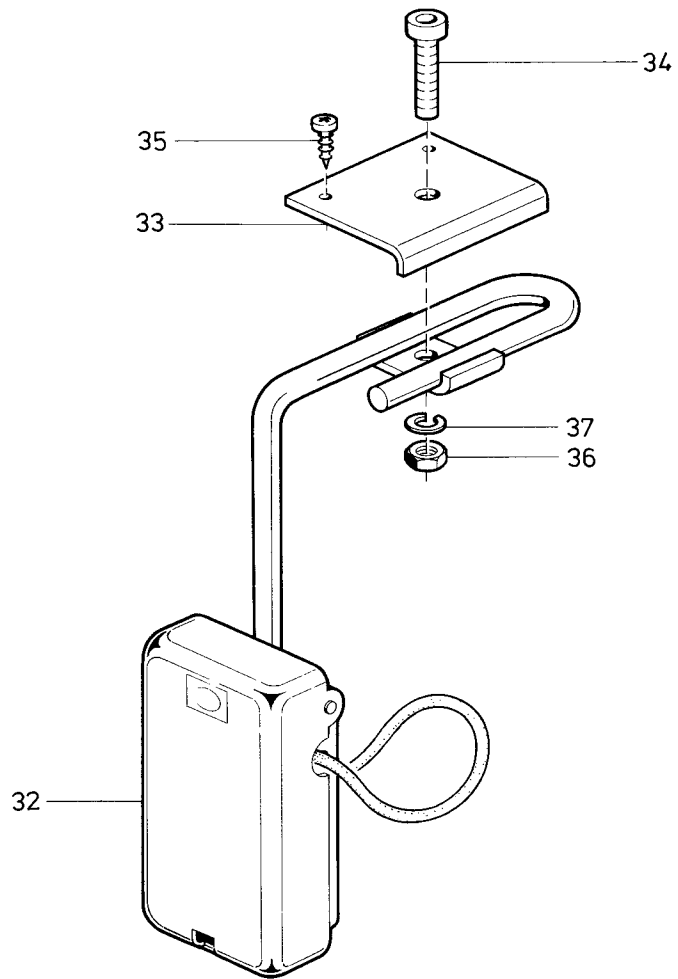


| Pos. Det. | Teile Nr. Part No. | Benennung | Denomination |
|-----------|--------------------|------------------------------------------------------------------------------|--------------------------------------------------------------------------------|
| | | Rollüberwurfstapler | Roll and throw-over stacker |
| | 7945951 | Tischverbreiterung kpl. (best. aus Pos. 2a, 4 bis 21, 22, 42) | Table extension cpl. (cons. of pos. 2a, 4 up to 21, 22, 42) |
| 1 | 7945742 | Tischverbreiterung, links, kpl. (best. aus Pos. 2 bis 21) | Table extension, left hand, cpl. (cons. of pos. 2 up to 21) |
| 2 | 7945745 | Tischverbreiterung kpl. (mit Pos. 3) | Table extension cpl. (with pos. 3) |
| 2a | 7005007 | Tischverbreiterung | Table extension |
| 3 | 71811 | Düsenverteiler | Nozzle distributor |
| 4 | 7945748 | Holm | String piece |
| 5 | 7945749 | Bolzen | Bolt |
| 6 | 7945750 | Gewindelassche | Threaded shackle |
| 7 | 911376 | Zyl.-Schraube | Cyl. head screw |
| 8 | 7443324 | Senkschraube | Countersunk screw |
| 9 | 739163 | Scheibe | Washer |
| 10 | 7942168 | Gewindeplatte | Threaded plate |
| 11 | 5701594 | Zyl.-Schraube | Cyl. head screw |
| 12 | 558312a | Buchse | Bushing |
| 13 | MG 43/409 | 6kt.-Mutter | Hexagonal nut |
| 14 | 7945761 | Haltewinkel | Holding angle |
| 15 | 7945763 | Klemmstück, links | Clamping piece, left hand |
| 16 | 7945764 | Klemmstück, rechts | Clamping piece, right hand |
| 17 | App. 20160 | 6kt.-Schraube | Hexagonal screw |
| 18 | 7945766 | 6kt.-Schraube | Hexagonal screw |
| 19 | 7441017 | federring | Spring ring |
| 20 | 72043 | Scheibe | Washer |
| 21 | 7421741 | Klemmhebel | Clamping lever |
| 22 | 7945743 | Tischverbreiterung, vorn, kpl. (best. aus Pos. 8, 9, 17, 20, 23, 24, 25, 26) | Table extension, front side, cpl. (cons. of pos. 8, 9, 17, 20, 23, 24, 25, 26) |
| 23 | 7005008 | Tischverbreiterung | Table extension |
| 24 | 7942103 | Halter | Holder |
| 25 | 7441318 | Scheibe | Washer |
| 26 | 74450244 | 6kt.-Mutter | Hexagonal nut |
| 27 | 798700163 | Leitungssatz (für Rollüberwurfstapler) kpl. | Set cpl. (for Roll and throw-over stacker) cpl. |
| 28 | MG 41/3041 | Iso-Gehäuse | Iso-Housing |
| 29 | 798427002 | Schalter-Einsatz | Switch insert |

| Pos. Det. | Teile Nr. Part No. | Benennung | Denomination |
|-----------|--------------------|-------------------|------------------------|
| 30 | 7441968 | Zyl.-Schraube | Cyl. head screw |
| 31 | 5691895 | Scheibe | Washer |
| 32 | 2401129 | Würgenippel | Twist nipple |
| 33 | 570939a | Senkschraube | Countersunk screw |
| 34 | 739595 | Scheibe | Washer |
| 35 | 7441426 | Federring | Spring ring |
| 36 | 7942111 | Auflagewinkel | Supporting plate |
| 37 | 557263 | Scheibe | Washer |
| 38 | 55613020 | Senkschraube | Countersunk screw |
| 39 | 798122808 | Zyl.-Schraube | Cyl. head screw |
| 40 | 798126009 | Klemmstück | Clamping piece |
| 41 | 798360209 | Lichtschr.-Sender | Light barrier receiver |
| 42 | 10011162 | Hutstopfen | Cap |

| Pos. Det. | Teile Nr. Part No. | Benennung | Denomination |
|-----------|--------------------|-----------|--------------|
|-----------|--------------------|-----------|--------------|

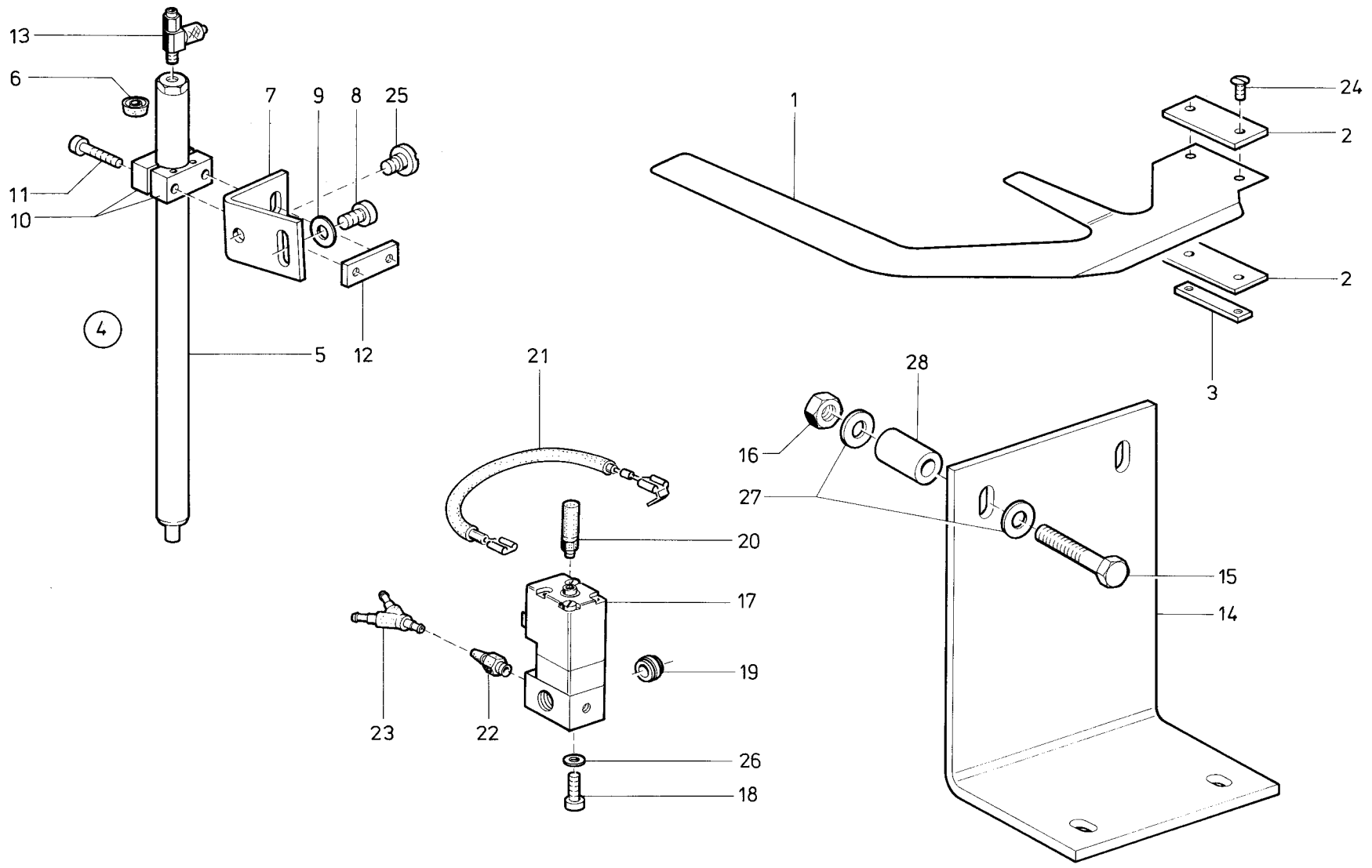


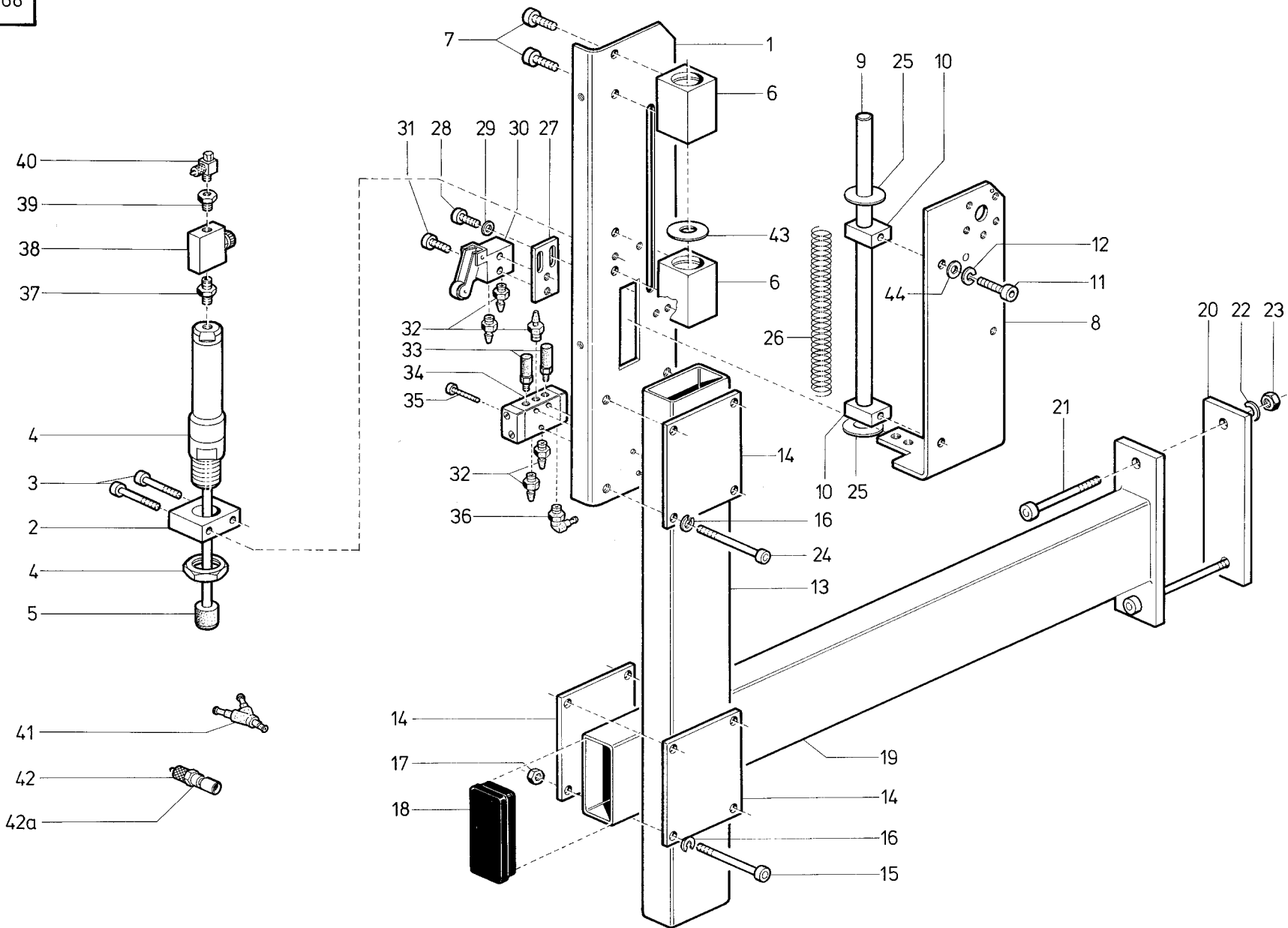


| Pos. Det. | Teile Nr. Part No. | Benennung | Denomination |
|-----------|--------------------|---------------------------------------------------------------|---------------------------------------------------------------|
| | 7941201 | Klemmvorrichtung für Hinterhose und Taschenbeutel kpl. | Clamping device for rear trousers and pocket bags cpl. |
| 1 | 7941004 | Stoffhalter kpl. (best. aus Pos. 2 bis 31) | Cloth holder cpl. (cons. of pos. 2 up to 31) |
| 2 | 7941008 | Lagerbock | Bearing block |
| 3 | 7441968 | Zyl.-Schraube | Cyl. head screw |
| 4 | 7941011 | Achse | Axle |
| 5 | 7941014 | Winkel | Angle |
| 6 | 570912 | Zyl.-Schraube | Cyl. head screw |
| 7 | 570907 | Gewindelasche | Threaded shackle |
| 8 | 7941021 | Hebel | Lever |
| 9 | 93311296 | Zyl.-Schraube | Cyl. head screw |
| 10 | 7971030 | Kurzhubzylinder | Cylinder |
| 11 | 246369 | Zyl.-Schraube | Cyl. head screw |
| 12 | 7941029 | Zugfeder | Draw spring |
| 13 | 7941031 | Zylinder kpl. (mit Pos. 14, 15, 16) | Cylinder cpl. (with pos. 14, 15, 16) |
| 14 | 246348 | Lippenring | Lip seal |
| 15 | 5511802 | Scheibe | Washer |
| 16 | 237202 | 6kt.-Mutter | Hexagonal nut |
| 17 | 74611287 | Klemmstück kpl. (mit Pos. 18) | Clamping piece cpl. (with pos. 18) |
| 18 | 7461212 | Zyl.-Schraube | Cyl. head screw |
| 19 | 71910 | Senkschraube | Countersunk screw |
| 20 | 202704 | 6kt.-Mutter | Hexagonal nut |
| 21 | 911267 | Zahnscheibe | Tooth lock washer |
| 22 | 5691895 | Scheibe | Washer |
| 23 | 2386530 | Zyl.-Schraube | Cyl. head screw |
| 24 | 7941071 | Platte | Plate |
| 25 | 7941076 | Ansatzschraube | Shoulder screw |
| 26 | 7941049 | Klemmleiste kpl. (mit Pos. 38) | Clamping reglet cpl. (with pos. 38) |
| 27 | 7941078 | Klemmblech | Clamping plate |
| 28 | 911339 | Linsenschraube | Fillister head screw |
| 29 | 797411 | Drosselventil | Throttle valve |
| 30 | 7941006 | Bef.-Platte | Fastening plate |
| 31 | 74611295 | Gewindeleiste | Threaded reglet |
| 32 | 798783001 | Knieschalter | Knee switch |
| 33 | 74680011 | Platte | Plate |
| 34 | 74421026 | Zyl.-Schraube | Cyl. head screw |
| 35 | 7441115 | Blechschrabe | Tin plate screw |
| 36 | 72042a | 6kt.-Mutter | Hexagonal nut |

| Pos. Det. | Teile Nr. Part No. | Benennung | Denomination |
|-----------|--------------------|-----------|--------------|
| 37 | 725520b | Federring | Spring ring |
| 38 | 74650517 | Nadel | Needle |
| 39 | 1005233 | Scheibe | Washer |

| Pos. Det. | Teile Nr. Part No. | Benennung | Denomination |
|-----------|--------------------|-----------|--------------|
|-----------|--------------------|-----------|--------------|

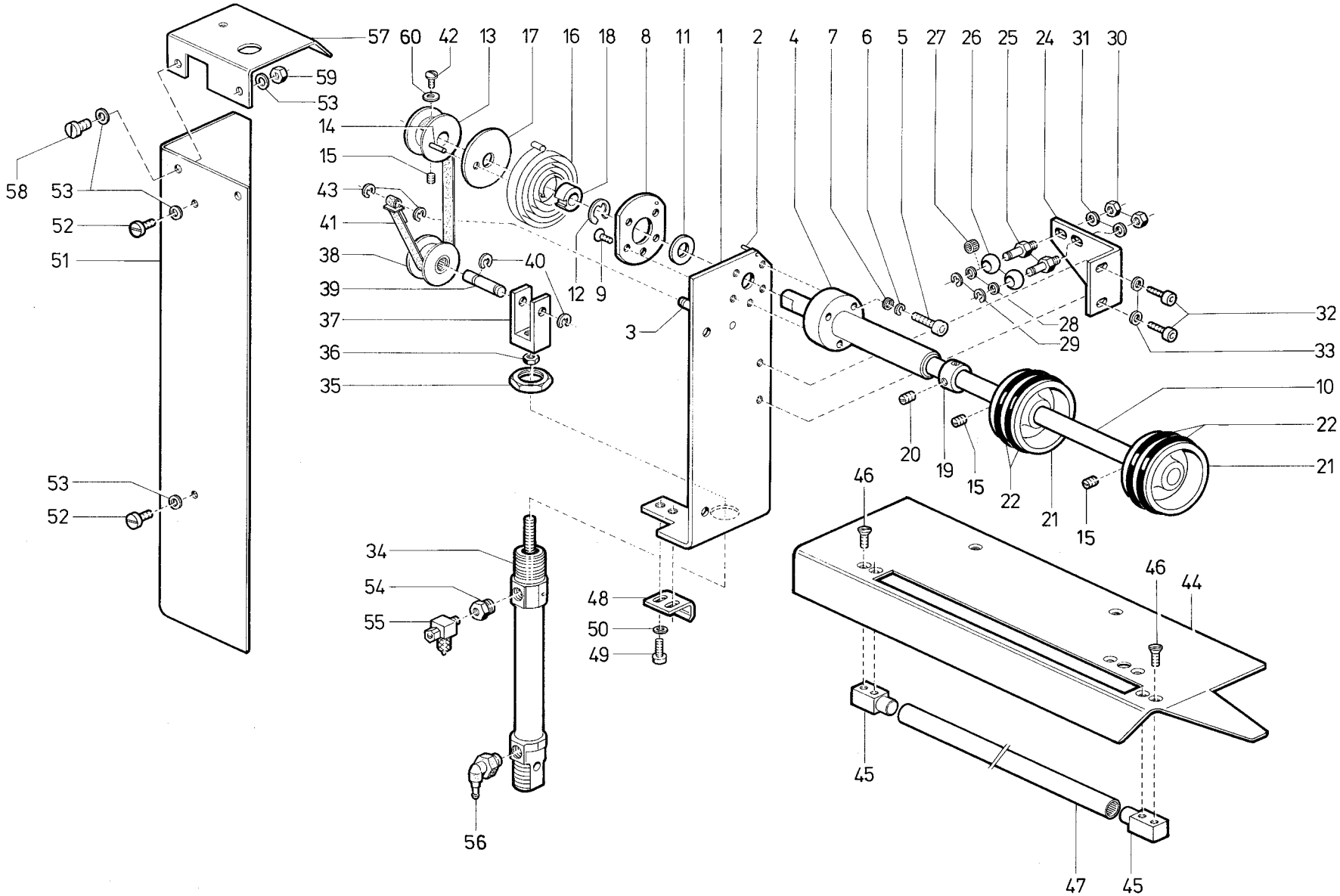




| Pos. Det. | Teile Nr. Part No. | Benennung | Denomination |
|-----------|--------------------|-------------------------------|--------------------------------|
| | 794701 | Abzugsvorrichtung kpl. | Pulling-off device cpl. |
| 1 | 794706 | Seitenteil | Side part |
| 2 | 794708 | Bock | Support |
| 3 | P 12547 | Zyl.-Schraube | Cyl. head screw |
| 4 | 7443561 | Zylinder kpl. | Cylinder cpl. |
| 5 | 7422175 | Druckstück | Pressure piece |
| 6 | 794715 | Lager kpl. | Bearing cpl. |
| 7 | 7441509 | Zyl.-Schraube | Cyl. head screw |
| 8 | 794724 | Schieber | Slide |
| 9 | 794771 | Stange | Rod |
| 10 | 794767 | Bock | Support |
| 11 | 2386530 | Zyl.-Schraube | Cyl. head screw |
| 12 | 719124 | Federring | Spring ring |
| 13 | 794857 | Rohr | Pipe |
| 14 | 794871 | Platte | Plate |
| 15 | 7441176 | Zyl.-Schraube | Cyl. head screw |
| 16 | 7441131 | Federring | Spring ring |
| 17 | MG 43/409 | 6kt.-Mutter | Hexagonal nut |
| 18 | 71811043 | Verschlußkappe | Cap |
| 19 | 794861 | Ständer | Stand |
| 20 | 794866 | Lasche | Shackle |
| 21 | 7425038 | Zyl.-Schraube | Cyl. head screw |
| 22 | 725520b | Federring | Spring ring |
| 23 | 72042a | 6kt.-Mutter | Hexagonal nut |
| 24 | 7461077 | Zyl.-Schraube | Cyl. head screw |
| 25 | 74242857 | Scheibe | Washer |
| 26 | 794774 | Druckfeder | Pressure spring |
| 27 | 794883 | Platte | Plate |
| 28 | 265565 | Zyl.-Schraube | Cyl. head screw |
| 29 | 74450243 | Scheibe | Washer |
| 30 | Z 112611 | Rollenventil | Roll-valve |
| 31 | 933182 | Zyl.-Schraube | Cyl. head screw |
| 32 | 7972016 | Schlauchtülle | Hose nozzle |
| 33 | Z 11649 | Schalldämpfer | Silencer |
| 34 | 797210 | 5/2-Wege-Ventil | 5/2-Distributor valve |
| 35 | 558631 | Zyl.-Schraube | Cyl. head screw |
| 36 | 746768 | L-Verschr. | L-coupling screw |
| 37 | 74441819 | Doppelnippel | Double nipple |
| 38 | 7441820 | Drosselventil | Throttle valve |
| 39 | Z 120362 | Reduzierstück | Reducing piece |
| 40 | 797412 | Drosselventil | Throttle valve |
| 41 | 7972201 | Y-Verbindung | Y-Connection |
| 42 | 7449779 | Kupplungsstecker 3 Ø | Plug 3 mm Ø |

| Pos. Det. | Teile Nr. Part No. | Benennung | Denomination |
|-----------|--------------------|----------------------|--------------|
| 42a | 7449780 | Kupplungsstecker 4 Ø | Plug 4 mm Ø |
| 43 | 7461207 | Scheibe | Washer |
| 44 | 024275 | Scheibe | Washer |

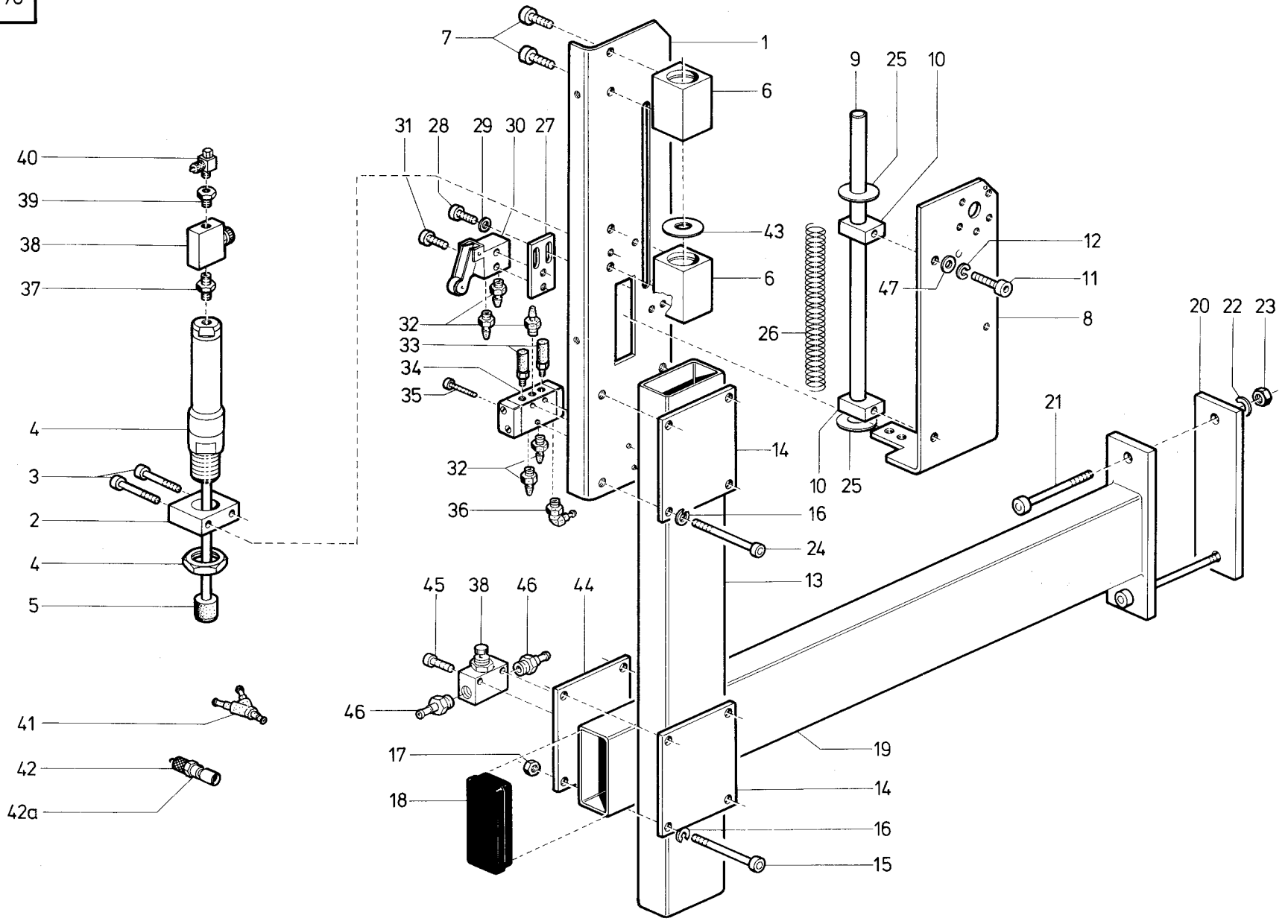
| Pos. Det. | Teile Nr. Part No. | Benennung | Denomination |
|-----------|--------------------|-----------|--------------|
|-----------|--------------------|-----------|--------------|



| Pos. Det. | Teile Nr. Part No. | Benennung | Denomination |
|-----------|--------------------|---------------------------------|-----------------------------------|
| | | Abzugsvorrichtung | Pulling-off device |
| 1 | 794724 | Schieber | Slide |
| 2 | 5581106 | Spannhülse | Clamping sleeve |
| 3 | 794725 | Bolzen | Bolt |
| 4 | 794728 | Lager | Bearing |
| 5 | 2386530 | Zyl.-Schraube | Cyl. head screw |
| 6 | 719124 | Federring | Spring ring |
| 7 | 024275 | Scheibe | Washer |
| 8 | 294737 | Scheibe | Washer |
| 9 | 2658554 | Senkschraube | Countersunk screw |
| 10 | 794743 | Welle | Shaft |
| 11 | MG 4/6 | Scheibe | Washer |
| 12 | 265289 | Sicher.-Scheibe | Lock washer |
| 13 | 794748 | Rolle | Roller |
| 14 | 5581105 | Spannhülse | Clamping sleeve |
| 15 | 531471 | Gewindestift | Threaded stud |
| 16 | 794751 | Feder | Spring |
| 17 | 794752 | Scheibe | Washer |
| 18 | 794753 | Zwischenring | Spacer |
| 19 | 570791 | Stellring kpl. (mit Pos. 20) | Set collar cpl. (with pos. 20) |
| 20 | 223646 | Gewindestift | Threaded stud |
| 21 | 794762 | Rolle | Roller |
| 22 | 74422565 | O-Ring | O-Ring |
| 24 | 794777 | Winkel | Angle |
| 25 | 794779 | Bolzen | Bolt |
| 26 | 93379123 | Rolle | Roller |
| 27 | 93379124 | Nadelhülse | Needle sleeve |
| 28 | 024275 | Scheibe | Washer |
| 29 | 570138 | Sicher.-Scheibe | Lock washer |
| 30 | 2522389 | 6kt.-Mutter | Hexagonal nut |
| 31 | 557263 | Scheibe | Washer |
| 32 | 265565 | Zyl.-Schraube | Cyl. head screw |
| 33 | 74450243 | Scheibe | Washer |
| 34 | 794801 | Zylinder | Cylinder |
| 35 | 794802 | 6kt.-Mutter | Hexagonal nut |
| 36 | 72042a | 6kt.-Mutter | Hexagonal nut |
| 37 | 794806 | Gabelkopf | Fork head |
| 38 | 794808 | Rolle | Roller |
| 39 | 794813 | Bolzen | Bolt |
| 40 | 93002119 | Sicher.-Scheibe | Lock washer |
| 41 | 794816 | Zugband | Tape |
| 42 | 9441366 | Linsenschraube | Fillister head screw |
| 43 | 570138 | Sicher.-Scheibe | Lock washer |

| Pos. Det. | Teile Nr. Part No. | Benennung | Denomination |
|-----------|--------------------|----------------|---------------------|
| 44 | 794843 | Auflagewinkel | Support angle |
| 45 | 794845 | Lagerbock | Pillow block |
| 46 | 5702382 | Senkschraube | Countersunk screw |
| 47 | 794851 | Rohr | Pipe |
| 48 | 794881 | Winkel | Angle |
| 49 | 265565 | Zyl.-Schraube | Cyl. head screw |
| 50 | 74450243 | Scheibe | Washer |
| 51 | 794915 | Schutzblech | Guard plate |
| 52 | 746879 | Zyl.-Schraube | Cyl. head screw |
| 53 | 74450243 | Scheibe | Washer |
| 54 | Z 120362 | Reduzierstück | reducing piece |
| 55 | 797412 | Drosselventil | Throttle valve |
| 56 | 7942252 | Schl.-Verschr. | Hose coupling screw |
| 57 | 794916 | Schutzkappe | Protective cap |
| 58 | 265565 | Zyl.-Schraube | Cyl. head screw |
| 59 | 74450244 | 6kt.-Mutter | Hexagonal nut |
| 60 | 556815a | Scheibe | Washer |

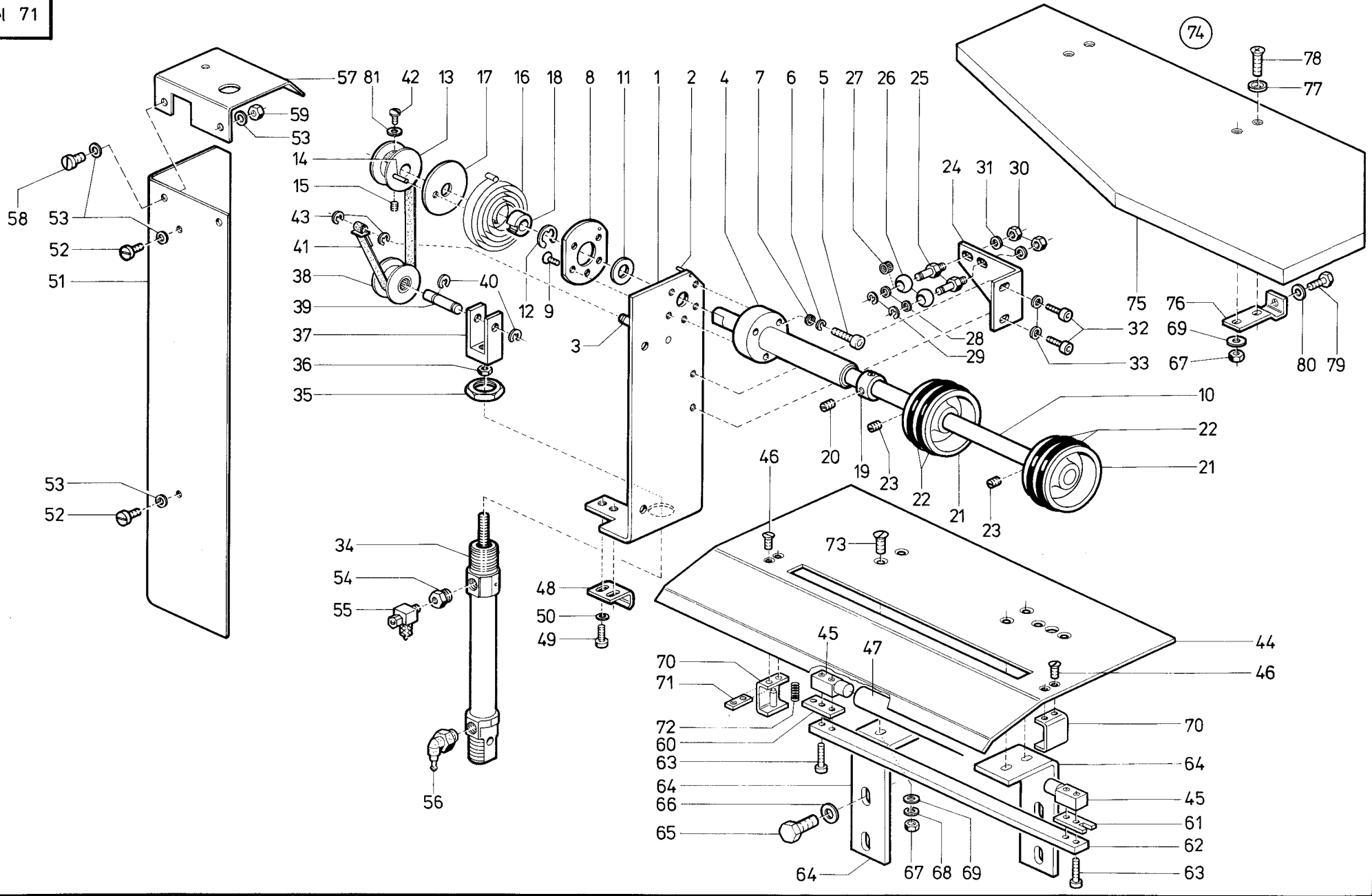
| Pos. Det. | Teile Nr. Part No. | Benennung | Denomination |
|-----------|--------------------|-----------|--------------|
|-----------|--------------------|-----------|--------------|



| Pos. Det. | Teile Nr. Part No. | Benennung | Denomination |
|-----------|--------------------|----------------------------|----------------------------|
| | 7942291 | Staplerzusatzgerät* | Stacker supplement* |
| 1 | 794706 | Seitenteil | Side part |
| 2 | 794708 | Bock | Support |
| 3 | P 12547 | Zyl.-Schraube | Cyl. head screw |
| 4 | 7443561 | Zylinder kpl. | Cylinder cpl. |
| 5 | 7422175 | Druckstück | Pressure piece |
| 6 | 794715 | Lager kpl. | Bearing cpl. |
| 7 | 7441509 | Zyl.-Schraube | Cyl. head screw |
| 8 | 794724 | Schieber | Slide |
| 9 | 794771 | Stange | Rod |
| 10 | 794767 | Bock | Support |
| 11 | 2386530 | Zyl.-Schraube | Cyl. head screw |
| 12 | 719124 | Federring | Spring ring |
| 13 | 794857 | Rohr | Tube |
| 14 | 794871 | Platte | Plate |
| 15 | 7441176 | Zyl.-Schraube | Cyl. head screw |
| 16 | 7441131 | Federring | Spring ring |
| 17 | MG 43/409 | 6kt.-Mutter | Hexagonal nut |
| 18 | 71811043 | Verschlußkappe | Cap |
| 19 | 794861 | Ständer | Stand |
| 20 | 794866 | Lasche | Shackle |
| 21 | 7425038 | Zyl.-Schraube | Cyl. head screw |
| 22 | 725520b | Federring | Spring ring |
| 23 | 72042a | 6kt.-Mutter | Hexagonal nut |
| 24 | 7461077 | Zyl.-Schraube | Cyl. head screw |
| 25 | 74242857 | Scheibe | Washer |
| 26 | 794774 | Druckfeder | Pressure spring |
| 27 | 794883 | Platte | Plate |
| 28 | 265565 | Zyl.-Schraube | Cyl. head screw |
| 29 | 74450243 | Scheibe | Washer |
| 30 | Z 112611 | Rollenventil | Roll-valve |
| 31 | 933182 | Zyl.-Schraube | Cyl. head screw |
| 32 | 7972016 | Schauchtülle | Hose nozzle |
| 33 | Z 11649 | Schalldämpfer | Silencer |
| 34 | 797210 | 5/2-Wege-Ventil | 5/2-Distributor valve |
| 35 | 558631 | Zyl.-Schraube | Cyl. head screw |
| 36 | 746768 | Schl.-Verschr. | Hose coupling screw |
| 37 | 74441819 | Doppelnippel | Double nipple |
| 38 | 7441820 | Drosselventil | Double nipple |
| 39 | Z 120362 | Reduzierstück | Reducing piece |
| 40 | 797412 | Drosselventil | Throttle valve |
| 41 | 7972201 | Y-Verbindung | Y-Connection |
| 42 | 7449779 | Kupplungsstecker 3 Ø | Coupler plug 3 mm Ø |
| 43 | 7461207 | Scheibe | Washer |

| Pos. Det. | Teile Nr. Part No. | Benennung | Denomination |
|-----------|--------------------|-------------------------------------------------|--------------------------------------------|
| 44 | 7942315 | Platte | Plate |
| 45 | 211496 | Zyl.-Schraube | Cyl. head screw |
| 46 | 7422238 | Schl.-Verschr. | Hose coupling screw |
| 42 | 024275 | Scheibe | Washer |
| | | * Pneumatische Teile siehe Tafel 65! | * Pneumatic parts see table 65! |

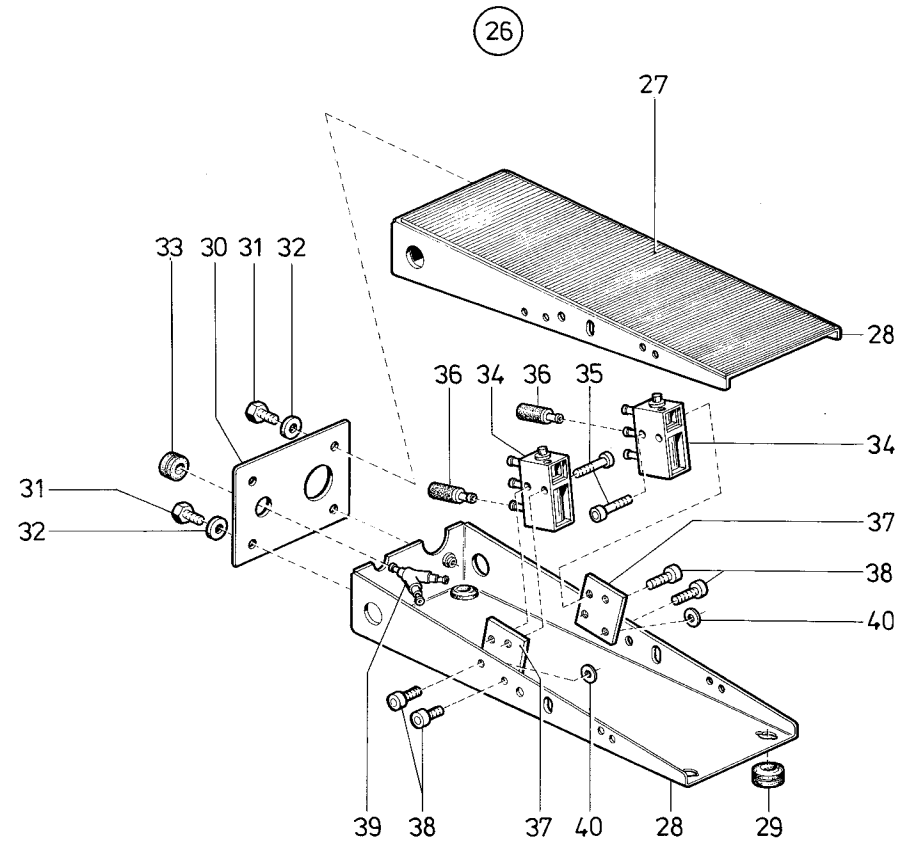
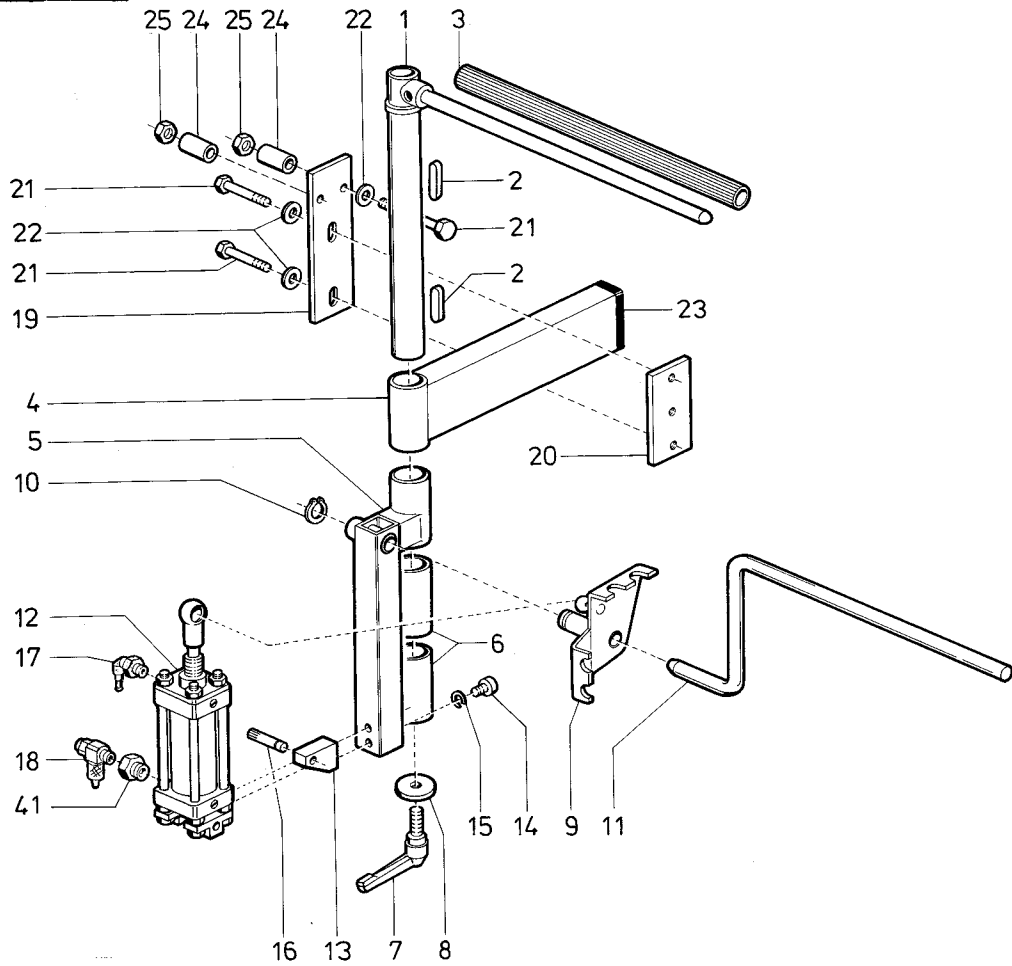
| Pos. Det. | Teile Nr. Part No. | Benennung | Denomination |
|-----------|--------------------|-----------|--------------|
|-----------|--------------------|-----------|--------------|



| Pos. Det. | Teile Nr. Part No. | Benennung | Denomination |
|-----------|--------------------|---------------------------------|-----------------------------------|
| | | Staplerzusatzgerät | Stacker supplement |
| 1 | 794724 | Schieber | Sliede |
| 2 | 5581106 | Spannhülse | Clamping sleeve |
| 3 | 794725 | Bolzen | Bolt |
| 4 | 794728 | Lager | Bearing |
| 5 | 2386530 | Zyl.-Schraube | Cyl. head screw |
| 6 | 719124 | Federring | Spring ring |
| 7 | 024275 | Scheibe | Washer |
| 8 | 294737 | Scheibe | Washer |
| 9 | 2658554 | Senkschraube | Countersunk screw |
| 10 | 794743 | Welle | Shaft |
| 11 | MG 4/6 | Scheibe | Washer |
| 12 | 265289 | Sicher.-Scheibe | Lock washer |
| 13 | 794748 | Rolle | Roll |
| 14 | 5581105 | Spannhülse | Clamping sleeve |
| 15 | 531471 | Gewindestift | Threaded stud |
| 16 | 794751 | Feder | Leaf spring |
| 17 | 794752 | Scheibe | Washer |
| 18 | 794753 | Zwischenring | Spacer |
| 19 | 570791 | Stellring kpl. (mit Pos. 20) | Set collar cpl. (with pos. 20) |
| 20 | 223646 | Gewindestift | Threaded stud |
| 21 | 794762 | Rolle | Roll |
| 22 | 74422565 | Gummiring | Rubber ring |
| 23 | 2161146 | Gewindestift | Threaded stud |
| 24 | 794777 | Winke | Angle |
| 25 | 794779 | Bolzen | Bolt |
| 26 | 93379123 | Rolle | Roll |
| 27 | 93379124 | Nadelhülse | Needle sleeve |
| 28 | 024275 | Scheibe | Washer |
| 29 | 570138 | Sicher.-Scheibe | Lock washer |
| 30 | 2522389 | 6kt.-Mutter | Hexagonal nut |
| 31 | 557263 | Scheibe | Washer |
| 32 | 265565 | Zyl.-Schraube | Cyl. head screw |
| 33 | 74450243 | Scheibe | Washer |
| 34 | 794801 | Zylinder | Cylinder |
| 35 | 794802 | 6kt.-Mutter | Hexagonal nut |
| 36 | 72042a | 6kt.-Mutter | Hexagonal nut |
| 37 | 794806 | Gabelkopf | Fork head |
| 38 | 794808 | Rolle | Roll |
| 39 | 794813 | Bolzen | Bolt |
| 40 | 93002119 | Sicher.-Scheibe | Lock washer |
| 41 | 794816 | Zugband | Tape |
| 42 | 9441366 | Linsenschraube | Fillister head screw |

| Pos. Det. | Teile Nr. Part No. | Benennung | Denomination |
|-----------|--------------------|------------------------------------------------------------------|----------------------------------------------------------------|
| 43 | 570138 | Sicher.-Scheibe | Lock washer |
| 44 | 7942297 | Auflagewinkel | Support angle |
| 45 | 794845 | Lagerbock | Bearing block |
| 46 | 5702382 | Senkschraube | Countersunk screw |
| 47 | 794851 | Rohr | Tube |
| 48 | 794881 | Winkel | Angle |
| 49 | 265565 | Zyl.-Schraube | Cyl. head screw |
| 50 | 74450243 | Scheibe | Washer |
| 51 | 794915 | Schutzblech | Guard plate |
| 52 | 746879 | Zyl.-Schraube | Cyl. head screw |
| 53 | 74450243 | Scheibe | Washer |
| 54 | Z 120362 | Reduzierstück | Reducing piece |
| 55 | 797412 | Drosselventil | Throttle valve |
| 56 | 7942252 | Schl.-Verschr. | Hose coupling screw |
| 57 | 794916 | Schutzkappe | Guard cap |
| 58 | 265565 | Zyl.-Schraube | Cyl. head screw |
| 59 | 74450244 | 6kt.-Mutter | Hexagonal nut |
| 60 | 7942307 | Platte | Plate |
| 61 | 7942308 | Platte | Plate |
| 62 | 7942305 | Leiste | Reglet |
| 63 | P 12110 | Zyl.-Schraube | Cyl. head screw |
| 64 | 7942298 | Winkel | Angle |
| 65 | App. 20160 | 6kt.-Schraube | Hexagonal screw |
| 66 | 72043 | Scheibe | Washer |
| 67 | 74450244 | 6kt.-Mutter | Hexagonal nut |
| 68 | 7441426 | Federring | Spring ring |
| 69 | 739595 | Scheibe | Washer |
| 70 | 7942299 | Winkel | Angle |
| 71 | MG 43/6542 | Gewindeplatte | Threaded plate |
| 72 | 380237 | Druckfeder | Pressure spring |
| 73 | 570939a | Senkschraube | Countersunk screw |
| 74 | 79442331 | Tischverbreiterung kpl. (best. aus Pos. 67, 69, 75 bis 80) | Table extension cpl. (cons. of pos. 67, 69, 75 up to 80) |
| 75 | 7005006 | Tischverbreiterung | Table extension |
| 76 | 7942103 | Halter | Holder |
| 77 | 7441318 | Scheibe | Washer |
| 78 | 7443324 | Senkschraube | Countersunk screw |
| 79 | App. 20160 | 6kt.-Schraube | Hexagonal screw |
| 80 | 72043 | Scheibe | Washer |
| 81 | 556815a | Scheibe | Washer |

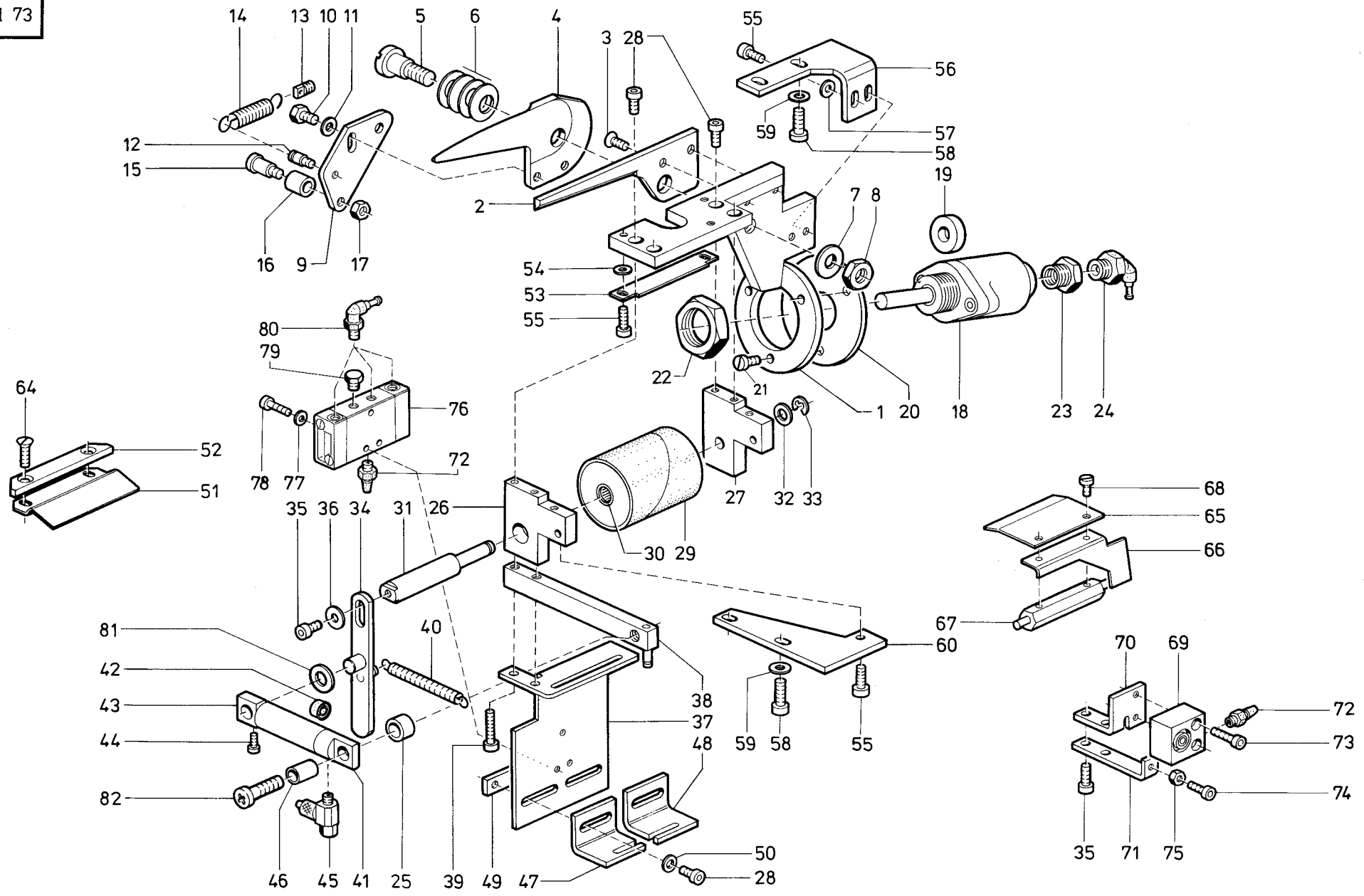
| Pos. Det. | Teile Nr. Part No. | Benennung | Denomination |
|-----------|--------------------|-----------|--------------|
|-----------|--------------------|-----------|--------------|



| Pos. Det. | Teile Nr. Part No. | Benennung | Denomination |
|-----------|--------------------|--------------------------------------------------|----------------------------------------------------|
| | 7942201 | Pneum.-Bündelklammer, mit Fußventil | Pneumatic bundle clamp, with foot valve |
| 1 | 7423114 | Klammerhalter | Clamp holder |
| 2 | 7423210 | Paßfeder | Fitting key |
| 3 | 0020071062100 | Schutzschlauch | Guard hose |
| 4 | 7942211 | Schwenkarm | Pivot arm |
| 5 | 7942213 | Lagerstück | Bearing piece |
| 6 | 7423017 | Buchse | Bushing |
| 7 | 7423018 | Klemmhebel | Clamping lever |
| 8 | 7423040 | Scheibe | Washer |
| 9 | 7427331 | Hebel | Lever |
| 10 | 7423137 | Sicher.-Ring | Circlip |
| 11 | 7423157 | Hebel | Lever |
| 12 | 7423148 | Zylinder | Cylinder |
| 13 | 7423275 | Lagerbock | Bearing block |
| 14 | 2194240 | Zyl.-Schraube | Cyl. head screw |
| 15 | 7441131 | Federring | Spring ring |
| 16 | 650336 | Kerbstift | Dowel pin |
| 17 | 7972252 | Schl.-verschr. | Hose coupling screw |
| 18 | 797411 | Drosselventil | Throttle valve |
| 19 | 7942241 | Platte | Plate |
| 20 | 74611055 | Platte | Plate |
| 21 | MG 41/4620 | 6kt.-Schraube | Hexagonal screw |
| 22 | 72043 | Scheibe | Washer |
| 23 | 71811043 | Verschlußkappe | Cap |
| 24 | 5581771 | Hülse | Sleeve |
| 25 | 72042a | 6kt.-Mutter | Hexagonal nut |
| 26 | 794112 | Fußventil kpl. (best. aus Pos. 27 bis 40) | Foot valve cpl. (cons. of pos. 27 up to 40) |
| 27 | 79368394 | Platte | Plate |
| 28 | 79368395 | Winkelblech | Angle sheet |
| 29 | 798221022 | Durchführungsstülle | Nozzle |
| 30 | 79368404 | Blattfeder | Leaf spring |
| 31 | 2401285 | 6kt.-Schraube | Hexagonal screw |
| 32 | 024275 | Scheibe | Washer |
| 33 | MG 41/8414 | Durchführungsstülle | Nozzle |
| 34 | 79720 | Ventil | Valve |
| 35 | 7461212 | Zyl.-Schraube | Cyl. head screw |
| 36 | 7973194 | Schalldämpfer | Silencer |
| 37 | 794123 | Platte | Plate |
| 38 | 9339478 | Zyl.-Schraube | Cyl. head screw |
| 39 | 7972201 | Y-Verbindung | Y-Connection |

| Pos. Det. | Teile Nr. Part No. | Benennung | Denomination |
|-----------|--------------------|---------------|----------------|
| 40 | 1005233 | Scheibe | Washer |
| 41 | Z 120362 | Reduzierstück | Reducing piece |

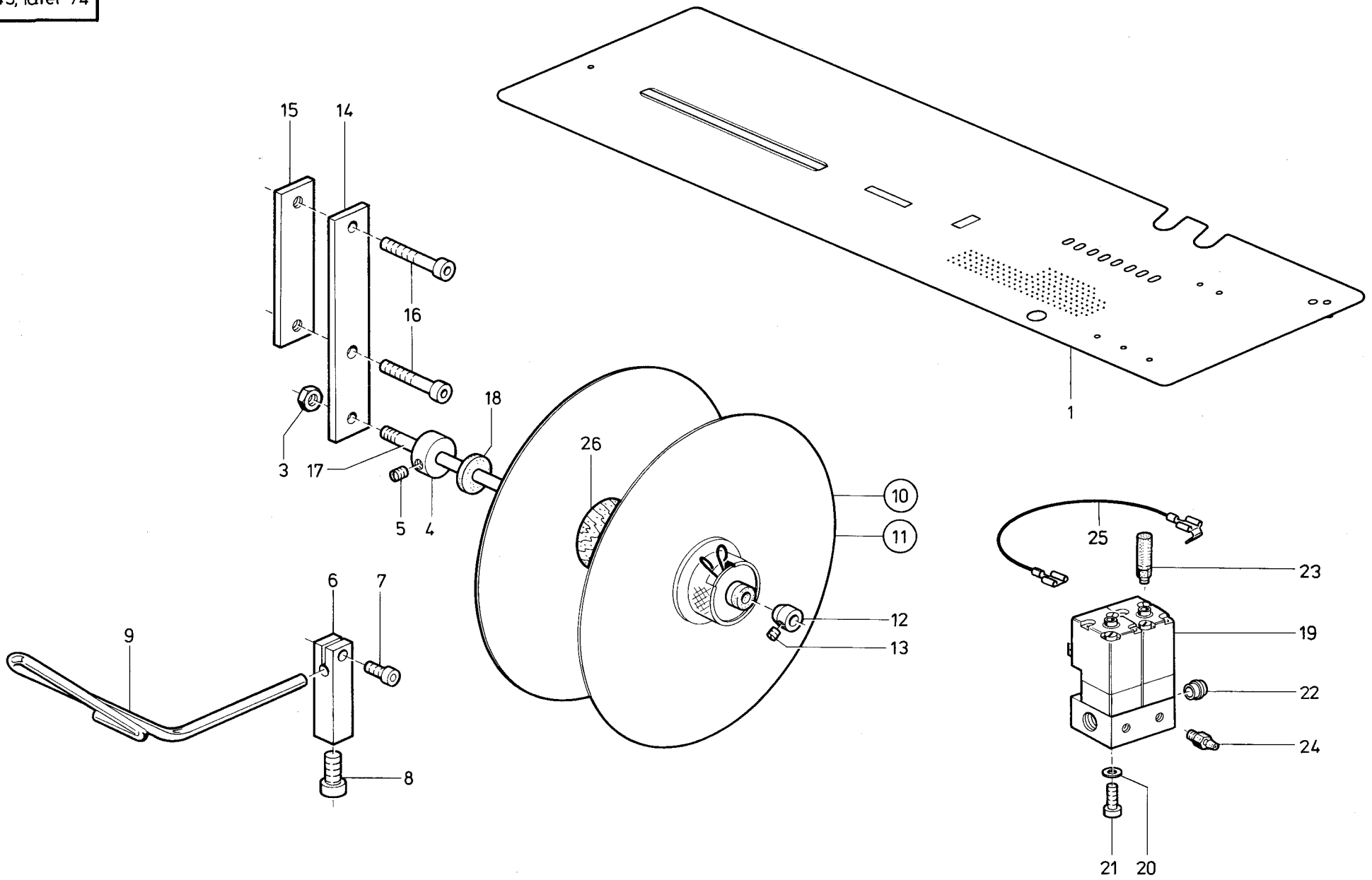
| Pos. Det. | Teile Nr. Part No. | Benennung | Denomination |
|-----------|--------------------|-----------|--------------|
|-----------|--------------------|-----------|--------------|

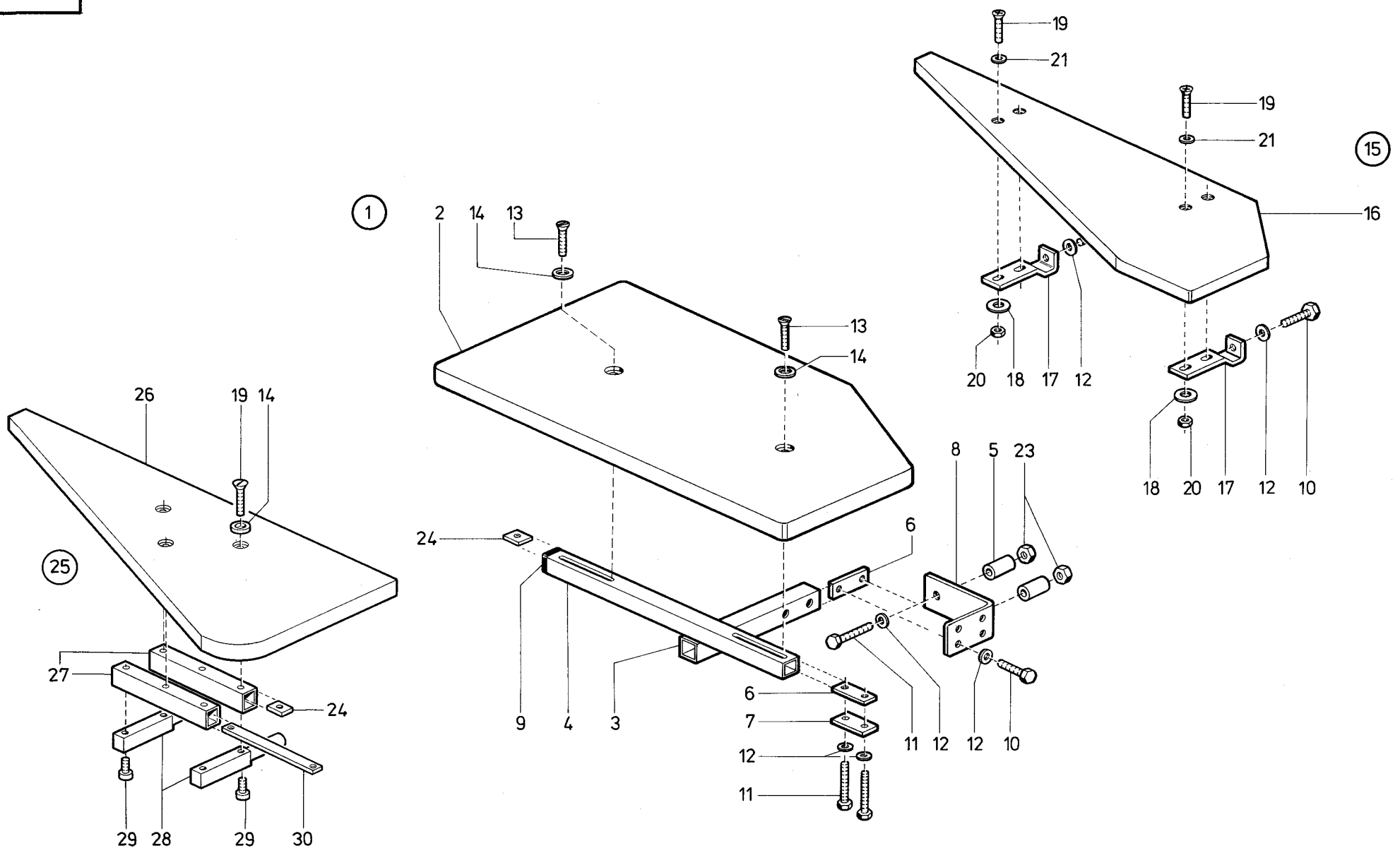


| Pos. Det. | Teile Nr. Part No. | Benennung | Denomination |
|-----------|--------------------|---------------------------------------------------|------------------------------------------------------|
| | 7942901 | Band-Zuführ. und Ab-schneideautomatik kpl. | Automatic tape feeder and cutting device cpl. |
| | 7942556 | Schere kpl. (best. aus Pos. 1 bis 64) | Scissors cpl. (cons. of pos. 1 up to 64) |
| 1 | 7942557 | Scherenhalter | Scissors holder |
| 2 | 7941314 | Schneidblatt | Cutting blade |
| 3 | 7395347 | Senkschraube | Countersunk screw |
| 4 | 7941316 | Schneidblatt | Cutting blade |
| 5 | Z 11113 | Ansatzschraube | Shoulder screw |
| 6 | 7391108 | Tellerfeder | Cup spring |
| 7 | 570117 | Scheibe | Washer |
| 8 | 5701287 | 6kt.-Mutter | Hexagonal nut |
| 9 | Z 11121 | Verlängerungsblech | Lengthening plate |
| 10 | 216542 | 6kt.-Schraube | Hexagonal screw |
| 11 | 024275 | Scheibe | Washer |
| 12 | 9312134 | Spezialschraube | Special screw |
| 13 | 922394 | Spezialschraube | Special screw |
| 14 | 558846 | Zugfeder | Draw spring |
| 15 | 911457 | Ansatzschraube | Shoulder screw |
| 16 | 5694445 | Rolle | Roll |
| 17 | MG 8/7d | 6kt.-Mutter | Hexagonal nut |
| 18 | P 12515 | Zylinder kpl. (mit Pos. 19 und 20) | Cylinder cpl. (with pos. 19 and 20) |
| 19 | Z 11134 | Abstandsring | Distance ring |
| 20 | Z 11137 | Zwischenscheibe | Intermediate washer |
| 21 | 216120 | Zyl.-Schraube | Cyl. head screw |
| 22 | P 12519 | 6kt.-Mutter | Hexagonal nut |
| 23 | Z 11661 | Reduzierstück | Reducing piece |
| 24 | 7972252 | Schl.-Verschr. | Hose coupling screw |
| 25 | 746320 | Buchse | Bushing |
| 26 | 7942597 | Lagerbock | Bearing block |
| 27 | 7942596 | Lagerbock | Bearing block |
| 28 | 7461033 | Zyl.-Schraube | Cyl. head screw |
| 29 | 7942601 | Rolle kpl. (mit Pos. 30) | Roll cpl. (with pos. 30) |
| 30 | 71812756 | Nadelfreilauf | Free-wheel bearing |
| 31 | 74612147 | Achse | Axle |
| 32 | 557263 | Scheibe | Washer |
| 33 | 570138 | Sicher.-Scheibe | Lock washer |
| 34 | 7942609 | Hebel | Lever |
| 35 | 570912 | Zyl.-Schraube | Cyl. head screw |
| 36 | 55890 | Scheibe | Washer |
| 37 | 7942614 | Winkel | Angle |

| Pos. Det. | Teile Nr. Part No. | Benennung | Denomination |
|-----------|--------------------|----------------------------------|------------------------------------|
| 38 | 74612158 | Leiste | Reglet |
| 39 | 74420778 | Zyl.-Schraube | Cyl. head screw |
| 40 | 5561164 | Zugfeder | Draw spring |
| 41 | 74612165 | Zylinder kpl. (mit Pos. 42) | Cylinder cpl. (with pos. 42) |
| 42 | 246348 | Lippenring | Lip seal |
| 43 | 74650555 | Anschlußstück kpl. (mit Pos. 44) | Coupling piece cpl. (with pos. 44) |
| 44 | 5561686 | Zyl.-Schraube | Cyl. head screw |
| 45 | 797413 | Drosselventil | Throttle valve |
| 46 | 5567351 | Buchse | Bushing |
| 47 | 7942641 | Führung, links | Guide, left hand |
| 48 | 7942642 | Führung, rechts | Guide, right hand |
| 49 | MG 43/6542 | Lasche | Shackle |
| 50 | 5691895 | Scheibe | Washer |
| 51 | 7942909 | Leitblech | Sliding plate |
| 52 | 7942910 | Leiste | Reglet |
| 53 | 7942651 | Leiste | Reglet |
| 54 | 2659746 | Scheibe | Washer |
| 55 | 570912 | Zyl.-Schraube | Cyl. head screw |
| 56 | 7942655 | Winkel | Angle |
| 57 | 798795 | Scheibe | Washer |
| 58 | 7441509 | Zyl.-Schraube | Cyl. head screw |
| 59 | 74450243 | Scheibe | Washer |
| 60 | 7942656 | Platte | Plate |
| 64 | 271297 | Senkschraube | Countersunk screw |
| 65 | 7942595 | Klemmblech | Clamping sheet |
| 66 | 7942594a | Winkel | Angle |
| 67 | 7942594 | Bolzen | Bolt |
| 68 | 216497 | Zyl.-Schraube | Cyl. head screw |
| 69 | 7971030 | Zylinder | Cylinder |
| 70 | 7942599 | Winkel | Angle |
| 71 | 7942599a | Winkel | Angle |
| 72 | 7972016 | Schlauchtülle | Hose nozzle |
| 73 | 246369 | Zyl.-Schraube | Cyl. head screw |
| 74 | 1001360 | Zyl.-Schraube | Cyl. head screw |
| 75 | 5511824 | 6kt.-Mutter | Hexagonal nut |
| 76 | 55614401 | 5/2-Wege-Ventil | 5/2-Distributor-Valve |
| 77 | 1005233 | Scheibe | Washer |
| 78 | 5693278 | Zyl.-Schraube | Cyl. head screw |
| 79 | 5701847 | Blindstopfen | Blind plug |
| 80 | 746768 | Schl.-Verschr. | Hose coupling screw |
| 81 | 93370265 | Scheibe | Washer |
| 82 | 271487 | Linsenschraube | Fillister head screw |

| Pos. Det. | Teile Nr. Part No. | Benennung | Denomination |
|-----------|--------------------|-----------|--------------|
|-----------|--------------------|-----------|--------------|

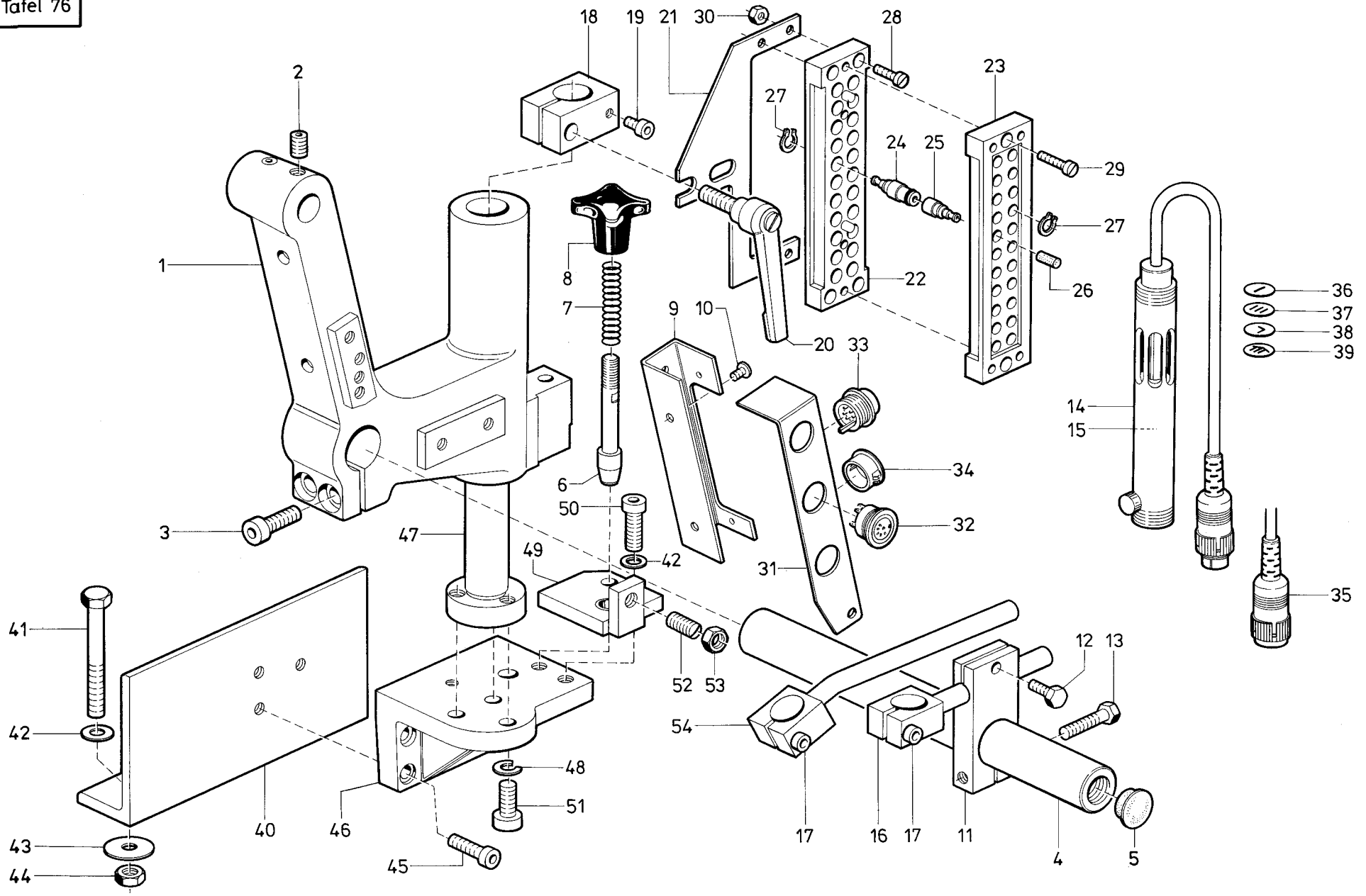




| Pos. Det. | Teile Nr. Part No. | Benennung | Denomination |
|-----------|--------------------|-------------------------------------------------------------------|-----------------------------------------------------------------|
| 1 | 7942151 | Tischverbreiterung kpl. (best. aus Pos. 2 bis 14, 23, 24) | Table extension cpl. (cons. of pos. 2 up to 14, 23, 24) |
| 2 | 7005004 | Tischverbreiterung | Table extension |
| 3 | 74611053 | Ständer | Stand |
| 4 | 7942155 | Holm | String piece |
| 5 | 5581771 | Hülse | Sleeve |
| 6 | 74611056 | Lasche | Shackle |
| 7 | 74611056a | Lasche | Shackle |
| 8 | 74611057 | Haltewinkel | Retaining angle |
| 9 | 71811060 | Verschlußkappe | Cap |
| 10 | App. 20160 | 6kt.-Schraube | Hexagonal screw |
| 11 | MG 41/1305 | 6kt.-Schraube | Hexagonal screw |
| 12 | 72043 | Scheibe | Washer |
| 13 | 7442042 | Senkschraube | Countersunk screw |
| 14 | 739163 | Scheibe | Washer |
| 15 | 7942101 | Tischverbreiterung kpl. (best. aus Pos. 10, 12, 16 bis 21) | Table extension cpl. (cons. of pos. 10, 12, 16 up to 21) |
| 16 | 7005005 | Tischverbreiterung | Table extension |
| 17 | 7942103 | Halter | Holder |
| 18 | 7441318 | Scheibe | Washer |
| 19 | 7443324 | Senkschraube | Countersunk screw |
| 20 | 74450244 | 6kt.-Mutter | Hexagonal nut |
| 21 | 739595 | Scheibe | Washer |
| 23 | 72042a | 6kt.-Mutter | Hexagonal nut |
| 24 | 7942168 | Gewindeplatte | Threaded plate |
| 25 | 7945901 | Tischverbreiterung kpl. (best. aus Pos. 14, 19, 24, 26 bis 30) | Table extension cpl. (cons. of pos. 14, 19, 24, 26 up to 30) |
| 26 | 7005009 | Tischverbreiterung | Table extension |
| 27 | 7945904 | Holm | String piece |
| 28 | 7945749 | Bolzen | Bolt |
| 29 | 911376 | Zyl.-Schraube | Cyl. head screw |
| 30 | 7945750 | Gewindelasche | Threaded shackle |

| Pos. Det. | Teile Nr. Part No. | Benennung | Denomination |
|-----------|--------------------|-----------|--------------|
|-----------|--------------------|-----------|--------------|

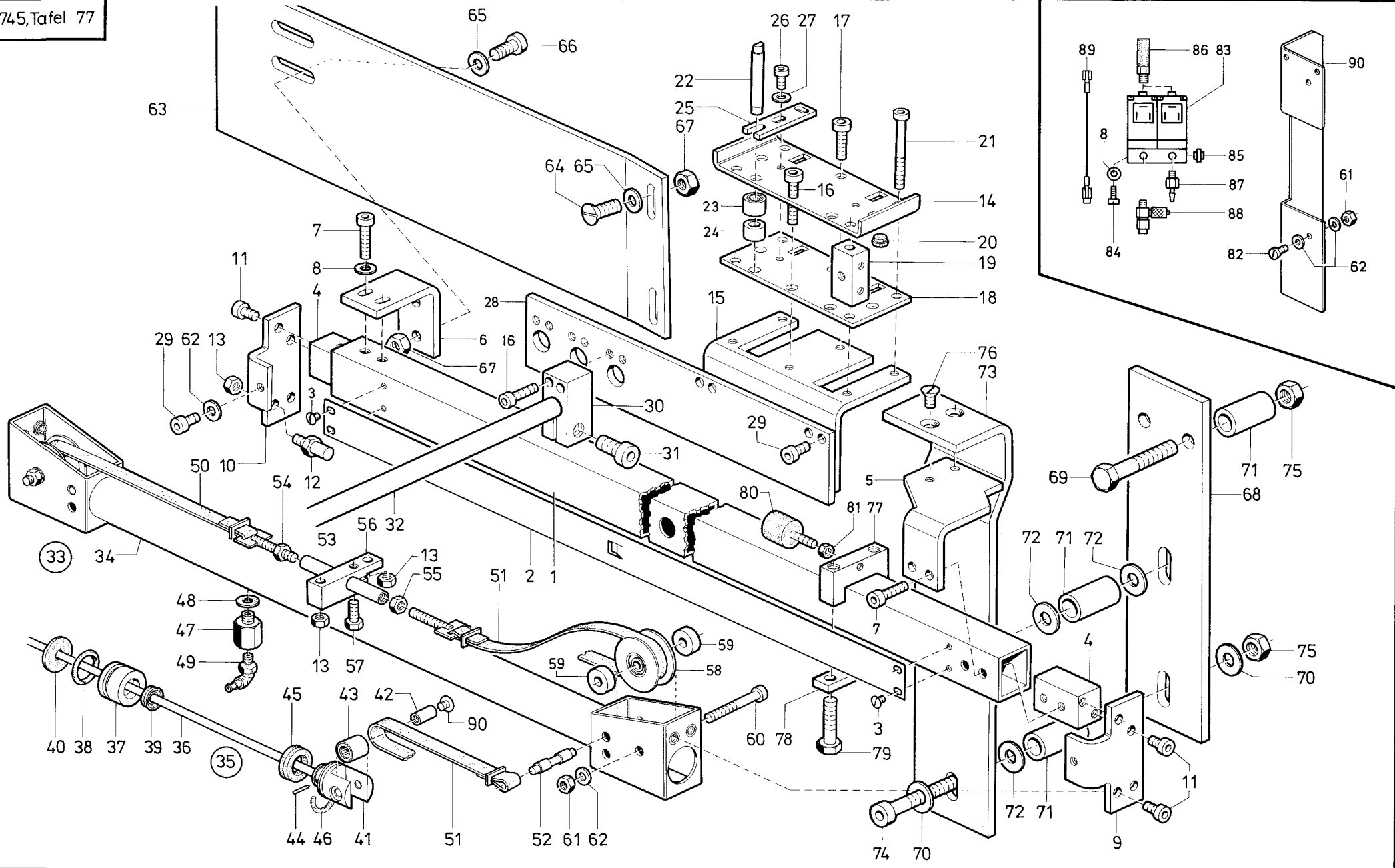
| Pos. Det. | Teile Nr. Part No. | Benennung | Denomination |
|-----------|--------------------|-----------|--------------|
|-----------|--------------------|-----------|--------------|



| Pos. Det. | Teile Nr. Part No. | Benennung | Denomination |
|-----------|--------------------|------------------------------------------|----------------------------------------------|
| | 79321001 | Teilesatz für Brustleistentaschen | Set of parts for Breast pocket welts |
| 1 | 79320122 | Ständer | Stay |
| 2 | 211354 | Gewindestift | Threaded stud |
| 3 | 570522 | Zyl.-Schraube | Cyl. head screw |
| 4 | 79320126 | Achse | Axle |
| 5 | 7441155 | Abdeckkappe | Cap |
| 6 | 79320128 | Bolzen | Bolt |
| 7 | 74611277 | Druckfeder | Pressure spring |
| 8 | 7421708 | Sterngriff | Star grip |
| 9 | 79320135 | Gehäuse | Housing |
| 10 | 10019130 | Linsenschraube | Fillister head screw |
| 11 | 79320222 | Halter kpl. (mit Pos. 12 und 13) | Holder cpl. (with pos. 12 and 13) |
| 12 | 7441658 | 6kt.-Schraube | Hexagonal screw |
| 13 | TG 13/42 | 6kt.-Schraube | Hexagonal screw |
| 14 | 798281502 | Markierungsleuchte kpl. (mit Pos. 15) | Marking lamp cpl. (with pos. 15) |
| 15 | 798281510 | Glühlampe | Filament bulb |
| 16 | 79320237 | Halter kpl. (mit Pos. 17) | Holder cpl. (with pos. 17) |
| 17 | 7422036 | Zyl.-Schraube | Cyl. head screw |
| 18 | 79321011 | Klemmstück kpl. (mit Pos. 19 und 20) | Clamping piece cpl. (with pos. 19 and 20) |
| 19 | 5561184 | Zyl.-Schraube | Cyl. head screw |
| 20 | 7427340 | Klemmhebel | Clamping lever |
| 21 | 79321022 | Halteplatte | Holding plate |
| 22 | 79321023 | Verbindungsteil | Connecting piece |
| 23 | 79321024 | Anschlußleiste | Connection legde |
| 24 | 79321025 | Stecknippel | Plug-in nipple |
| 25 | 79321026 | Steckbuchse | Socket piece |
| 26 | 79321027 | Verschlußkappe | Covering cap |
| 27 | 211518 | Greifring | Grip ring |
| 28 | 902300 | Zyl.-Schraube | Cyl. head screw |
| 29 | 211496 | Zyl.-Schraube | Cyl. head screw |
| 30 | 202704 | 6kt.-Mutter | Hexagonal nut |
| 31 | 798147001 | Gehäuse | Housing |
| 32 | Z 151241 | Einbaubuchse | Socket |
| 33 | 798480826 | Einbaustecker | Plug-in connector |
| 34 | 798220507 | Abdeckkappe | Cap |
| 35 | 21154215 | Kupplung | Coupler |
| 36 | 79321061 | Blende | Screen |
| 37 | 79321062 | Blende | Screen |
| 38 | 79321063 | Blende | Screen |

| Pos. Det. | Teile Nr. Part No. | Benennung | Denomination |
|-----------|--------------------|------------------------------|-------------------------------|
| 39 | 79321064 | Blende | Screen |
| 40 | 79321081 | Winkel | Angle |
| 41 | 567920 | 6kt.-Schraube | Hexagonal screw |
| 42 | 72043 | Scheibe | Washer |
| 43 | 700444 | Scheibe | Washer |
| 44 | 72042a | 6kt.-Mutter | Hexagonal nut |
| 45 | 5701392 | Zyl.-Schraube | Cyl. head screw |
| 46 | 79320092 | Lagerbock | Bearing block |
| 47 | 74660807 | Achse | Axle |
| 48 | 7441017 | federring | Spring ring |
| 49 | 79320101 | Grundplatte | Base plate |
| 50 | 911376 | Zyl.-Schraube | Cyl. head screw |
| 51 | 7425098 | Zyl.-Schraube | Cyl. head screw |
| 52 | 558769 | Gewindestift | Threaded stud |
| 53 | 231454 | 6kt.-Mutter | Hexagonal nut |
| 54 | 79321428 | Halter kpl. (mit Pos. 17) | Holder cpl. (with pos. 17) |

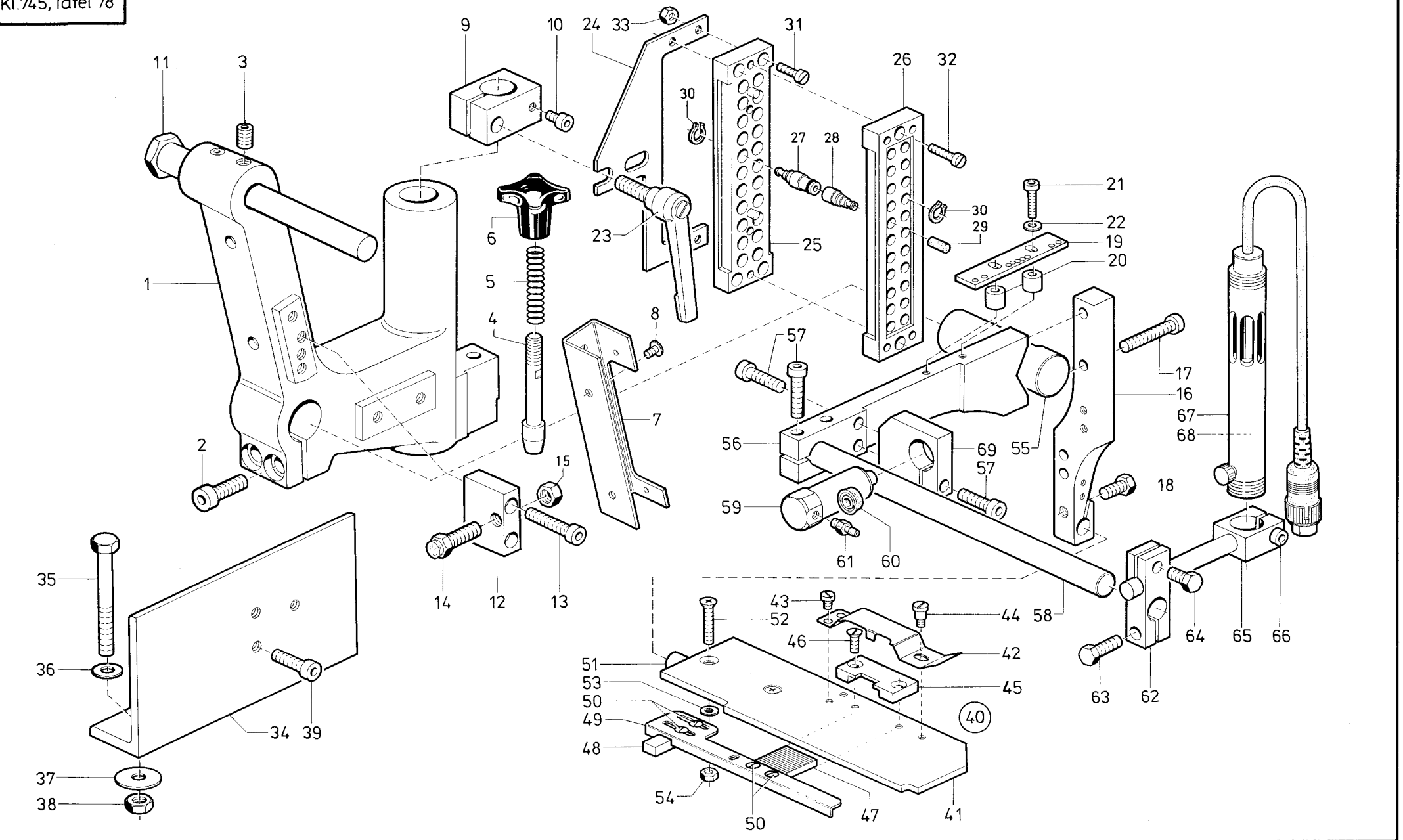
| Pos. Det. | Teile Nr. Part No. | Benennung | Denomination |
|-----------|--------------------|-----------|--------------|
|-----------|--------------------|-----------|--------------|



| Pos. Det. | Teile Nr. Part No. | Benennung | Denomination |
|-----------|--------------------|----------------------------------------------|---------------------------------------------|
| | 7947001 | Ausstreifeinrichtung kpl. | Smoothing device cpl. |
| 1 | 7947005 | Rohr | Tube |
| 2 | 7947006 | federbahd | Spring tape |
| 3 | 9441366 | Linsenschraube | Fillister head screw |
| 4 | 7947011 | Kloben | Block |
| 5 | 7947013 | Halteblech | Holding plate |
| 6 | 7947014 | Halteblech | Holding plate |
| 7 | 93370175 | Zyl.-Schraube | Cyl. head screw |
| 8 | 024275 | Scheibe | Washer |
| 9 | 7947021 | Winkel | Angle |
| 10 | 7947022 | Winkel | Angle |
| 11 | 2461049 | Zyl.-Schraube | Cyl. head screw |
| 12 | 7947027 | Bolzen | Bolt |
| 13 | MG 8/7d | 6kt.-Mutter | Hexagonal nut |
| 14 | 7945131 | Lasche | Shackle |
| 15 | 7945133 | Winkel | Angle |
| 16 | 2386530 | Zyl.-Schraube | Cyl. head screw |
| 17 | 246130 | Zyl.-Schraube | Cyl. head screw |
| 18 | 74221503a | Lasche | Shackle |
| 19 | 74221504 | Abstandhalter | Distance piece |
| 20 | 93310848 | Gleitscheibe | Slide |
| 21 | P 12547 | Zyl.-Schraube | Cyl. head screw |
| 22 | 74221511a | Stift | Pin |
| 23 | 570777 | Nadellager | Needle bearing |
| 24 | Z 123205 | Distanzbuchse | Distance bush |
| 25 | 74221514 | Lasche | Shackle |
| 26 | 246360 | Zyl.-Schraube | Cyl. head screw |
| 27 | 5691895 | Scheibe | Washer |
| 28 | 7947057 | Lasche | Shackle |
| 29 | 746879 | Zyl.-Schraube | Cyl. head screw |
| 30 | 7945156 | Klemmstück kpl. (mit Pos. 31) | Clampung piece cpl. (with pos. 31) |
| 31 | 911376 | Zyl.-Schraube | Cyl. head screw |
| 32 | 7945155 | Bügel | Bow |
| 33 | 7947071 | Zylinder kpl. (best. aus Pos. 34 bis 62) | Cylinder cpl. (cons. of pos. 34 up to 62) |
| 34 | 7947073 | Zylinderrohr | Cylinder tube |
| 35 | 7947081 | Kolbenstange kpl. (best. aus Pos. 36 bis 46) | Piston rod cpl. (cons. of pos. 36 up to 46) |
| 36 | 7947083 | Kolbenstange | Piston rod |
| 37 | 79220305 | Buchse | Bushing |
| 38 | 74241516 | Gummiring | Rubber ring |

| Pos. Det. | Teile Nr. Part No. | Benennung | Denomination |
|-----------|--------------------|----------------------------|----------------------------------|
| 39 | 74241517 | Lippenring | Lip seal |
| 40 | 79220308 | Scheibe | Washer |
| 41 | 74241522 | Kolben | Piston |
| 42 | 74241523 | Gewindebolzen | Threaded bolt |
| 43 | 74241524 | Nadellager | Needle bearing |
| 44 | 082424 | Zylinderstift | Cylinder pin |
| 45 | 7461547 | Lippenring | Lip seal |
| 46 | 00283083325 | Halteblech | Felt |
| 47 | 7972646 | Anschlußstück | Connecting piece |
| 48 | 74241533 | Scheibe | Washer |
| 49 | 746768 | Stecknippel | Plug nipple |
| 50 | 7947105 | Zugband | Draw tape |
| 51 | 7947104 | Zugband (Linksgewinde) | Draw tape (Left hand thread) |
| 52 | 74241545 | Stift | Pin |
| 53 | 74241546 | Gewindebuchse | Threaded bush |
| 54 | 74450244 | 6kt.-Mutter | Hexagonal nut |
| 55 | 558101 | 6kt.-Mutter (Linksgewinde) | Hexagonal nut (Left hand thread) |
| 56 | 7947121 | Lagerbock | Bearing block |
| 57 | 55881 | 6kt.-Mutter | Hexagonal nut |
| 58 | 74241551 | Rolle | Roll |
| 59 | 74241555 | Buchse | Bushing |
| 60 | P 12547 | Zyl.-Schraube | Cyl. head screw |
| 61 | 74450244 | 6kt.-Mutter | Hexagonal nut |
| 62 | 74450243 | Scheibe | Washer |
| 63 | 7947141 | Bef.-Blech | Fastening plate |
| 64 | 5702119 | Senkschraube | Countersunk screw |
| 65 | 557263 | Scheibe | Washer |
| 66 | 556362 | Zyl.-Schraube | Cyl. head screw |
| 67 | MG 43/409 | 6kt.-Mutter | Hexagonal nut |
| 68 | 7947151 | Platte | Plate |
| 69 | MG 41/1305 | 6kt.-Schraube | Hexagonal screw |
| 70 | 72043 | Scheibe | Washer |
| 71 | 74661456 | Buchse | Bushing |
| 72 | 700444 | Scheibe | Washer |
| 73 | 7947157 | Winkel | Angle |
| 74 | 9335644 | Zyl.-Schraube | Cyl. head screw |
| 75 | 72042a | 6kt.-Mutter | Hexagonal nut |
| 76 | 21163 | Senkschraube | Countersunk screw |
| 77 | 7947171 | Anschlag | Stop |
| 78 | 7947172 | Lasche | Shackle |
| 79 | 5581304 | 6kt.-Schraube | Hexagonal screw |
| 80 | 74221459 | Gummipuffer | Rubber buffer |
| 81 | 202704 | 6kt.-Mutter | Hexagonal nut |

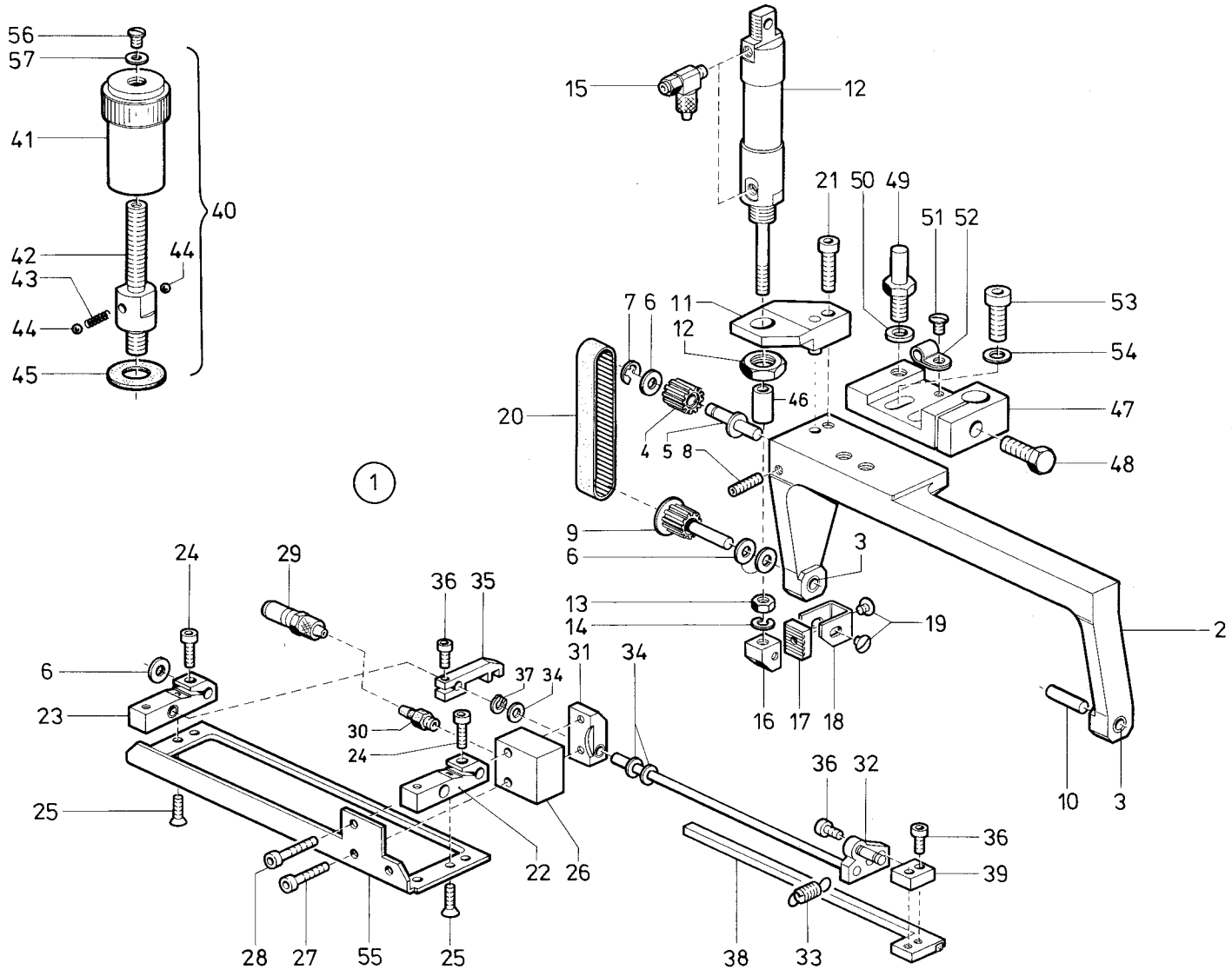
| Pos. Det. | Teile Nr. Part No. | Benennung | Denomination |
|-----------|--------------------|---------------------|-------------------------------|
| 82 | 265565 | Zyl.-Schraube | Cyl. head screw |
| 83 | 797332 | Magnetventil | Solenoid valve |
| 84 | 7441509 | Zyl.-Schraube | Cyl. head screw |
| 85 | 7443572 | Steckverbindung | Plug connector |
| 86 | Z 11649 | Schalldämpfer | Silencer |
| 87 | 7972016 | Schlauchtülle | Hose nozzle |
| 88 | 797412 | Drosselventil | Throttle valve |
| 89 | 74221623 | Leitung | Cable |
| 90 | 7945196 | Schutzblech | Guard plate |
| | 7947164 | Auflage (ohne Abb.) | Covering plate (not illustr.) |



| Pos. Det. | Teile Nr. Part No. | Benennung | Denomination |
|-----------|--------------------|-----------------------------------------------------------------------------|------------------------------------------------------------------------------------|
| | 79321201 | Anlegevorrichtung für Brustleisten (hierzu gehört auch die Tafel 24) | Positioning device for breast pocket welts (this inclose also the table 24) |
| 1 | 79320122 | Ständer | Stay |
| 2 | 570522 | Zyl.-Schraube | Cyl. head screw |
| 3 | 211354 | Gewindestift | Threaded stud |
| 4 | 79320128 | Bolzen | Bolt |
| 5 | 74611277 | Druckfeder | Pressure spring |
| 6 | 7421708 | Kreuzgriff | Star grip |
| 7 | 79320135 | Gehäuse | Housing |
| 8 | 10019130 | Linsenschraube | Fillister head screw |
| 9 | 79321011 | Klemmstück kpl. (mit Pos. 10 und 23) | Clamping piece cpl. (with pos. 10 and 23) |
| 10 | 5561184 | Zyl.-Schraube | Cyl. head screw |
| 11 | 79320140 | Achse | Axle |
| 12 | 79320538 | Anschlagbock | Stop block |
| 13 | 7441694 | Zyl.-Schraube | Cyl. head screw |
| 14 | 7461416a | Anschlagschraube | Stop screw |
| 15 | 231454 | 6kt.-Mutter | Hexagonal nut |
| 16 | 79320551 | Halter | Holder |
| 17 | 558312 | Zyl.-Schraube | Cyl. head screw |
| 18 | 7441658 | 6kt.-Schraube | Hexagonal screw |
| 19 | 79320561 | Leiste | Reglet |
| 20 | 74660651 | Buchse | Bushing |
| 21 | 74420778 | Zyl.-Schraube | Cyl. head screw |
| 22 | 798795 | Scheibe | Washer |
| 23 | 7427340 | Klemmhebel | Clamping lever |
| 24 | 79321022 | Halteplatte | Holding plate |
| 25 | 79321023 | Verbindungsteil | Connecting piece |
| 26 | 79321024 | Verbindungsteil | Connecting piece |
| 27 | 79321025 | Stecknippel | Plug-in nipple |
| 28 | 79321026 | Steckbuchse | Socket piece |
| 29 | 79321027 | Verschlußkappe | Cap |
| 30 | 211518 | Greifring | Grip ring |
| 31 | 902300 | Zyl.-Schraube | Cyl. head screw |
| 32 | 211496 | Zyl.-Schraube | Cyl. head screw |
| 33 | 202704 | 6kt.-Mutter | Hexagonal nut |
| 34 | 79321081 | Winkel | Angle |
| 35 | 567920 | 6kt.-Schraube | Hexagonal screw |
| 36 | 72043 | Scheibe | Washer |
| 37 | 700444 | Scheibe | Washer |
| 38 | 72042a | 6kt.-Mutter | Hexagonal nut |
| 39 | 5701392 | Zyl.-Schraube | Cyl. head screw |

| Pos. Det. | Teile Nr. Part No. | Benennung | Denomination |
|-----------|--------------------|----------------------------------------------|------------------------------------------------|
| 40 | 79321361 | Auflagetisch kpl. (best. aus Pos. 41 bis 54) | Support table cpl. (cons. of pos. 41 up to 54) |
| 41 | 79321363 | Auflage | Supporting plate |
| 42 | 74640523 | Blattfeder | Leaf spring |
| 43 | 556947 | Zyl.-Schraube | Cyl. head screw |
| 44 | 2196367 | Ansatzschraube | Shoulder screw |
| 45 | 74640511 | Führung | Guidance |
| 46 | 90297 | Senkschraube | Countersunk screw |
| 47 | 74640527 | Zahnleiste | Toothed regled |
| 48 | 79321372 | Anschlag | Stop |
| 49 | 79321373 | Anschlag | Stop |
| 50 | 10019130 | Linsenschraube | Fillister head screw |
| 51 | 7461375 | Bolzen | Bolt |
| 52 | 570939a | Senkschraube | Countersunk screw |
| 53 | 74450243 | Scheibe | Washer |
| 54 | 74450244 | 6kt.-Mutter | Hexagonal nut |
| 55 | 79321401 | Achse | Axle |
| 56 | 79321403 | Halter kpl. (mit Pos. 57) | Holder cpl. (with pos. 57) |
| 57 | 5701594 | Zyl.-Schraube | Cyl. head screw |
| 58 | 79320610 | Stange | Rod |
| 59 | 7925944 | Zylinder kpl. (mit Pos. 60) | Cylinder cpl. (with pos. 60) |
| 60 | 2462566 | Lippenring | Lip seal |
| 61 | 7972016 | Schlauchtülle | Hose nozzle |
| 62 | 79321423 | Klemmstück kpl. (mit Pos. 63 und 64) | Clamping piece cpl. (with pos. 63 and 64) |
| 63 | 719127 | 6kt.-Schraube | Hexagonal screw |
| 64 | 7441658 | 6kt.-Schraube | Hexagonal screw |
| 65 | 79320237 | Halter kpl. (mit Pos. 66) | Holder cpl. (with pos. 66) |
| 66 | 7422036 | Zyl.-Schraube | Cyl. head screw |
| 67 | 798281502 | Markierungsleuchte kpl. (mit Pos. 68) | Marking lamp cpl. (with pos. 68) |
| 68 | 798281510 | Glühlampe | Filament bulb |
| 69 | 79321408 | Klemmstück kpl. (mit Pos. 57) | Clamping piece cpl. (with pos. 57) |

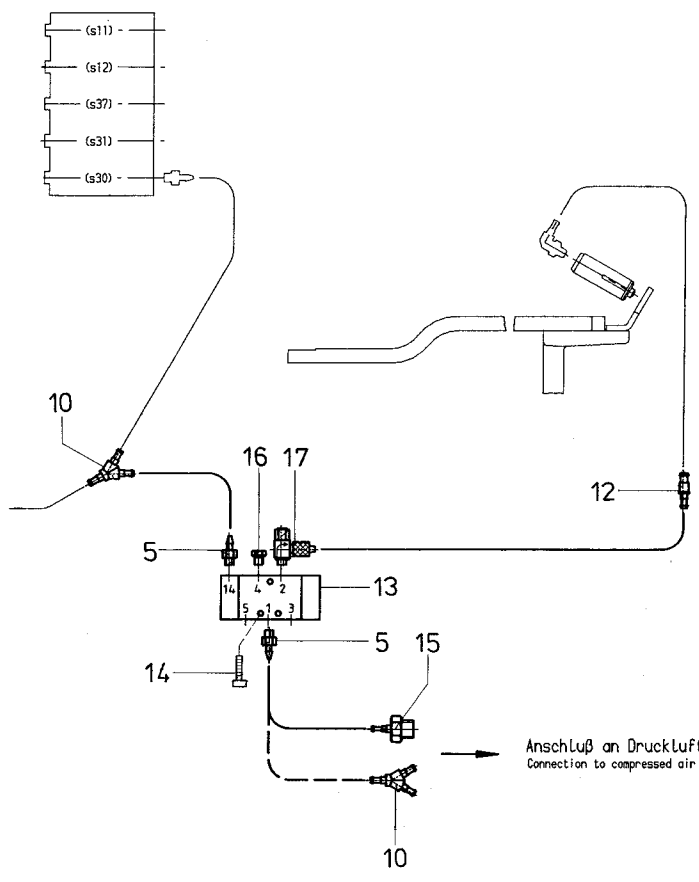
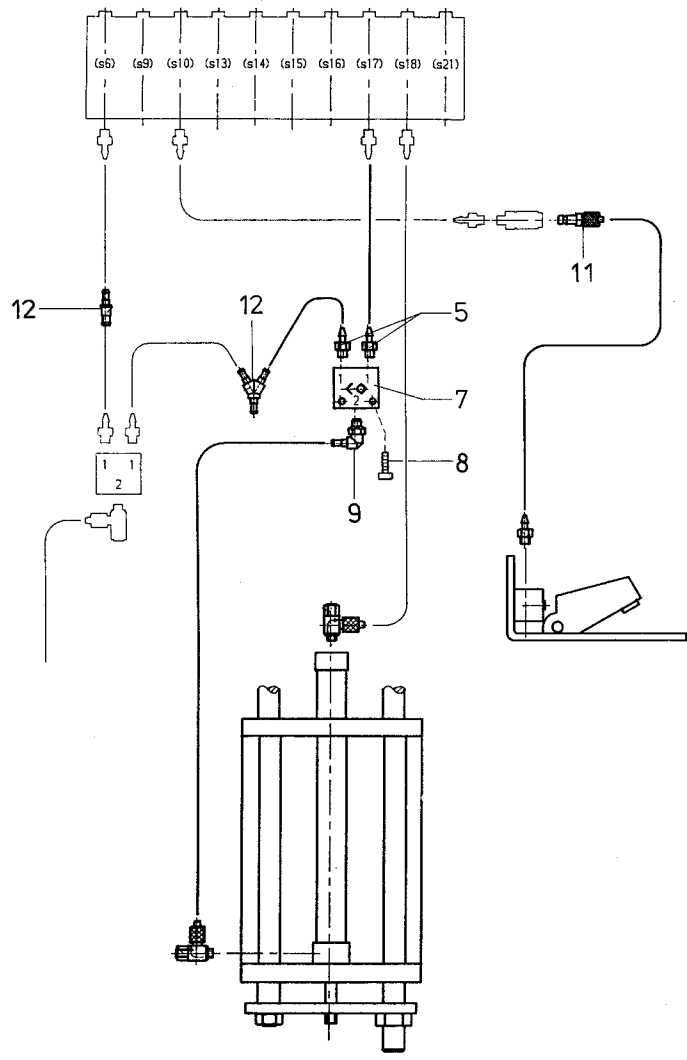
| Pos. Det. | Teile Nr. Part No. | Benennung | Denomination |
|-----------|--------------------|-----------|--------------|
|-----------|--------------------|-----------|--------------|



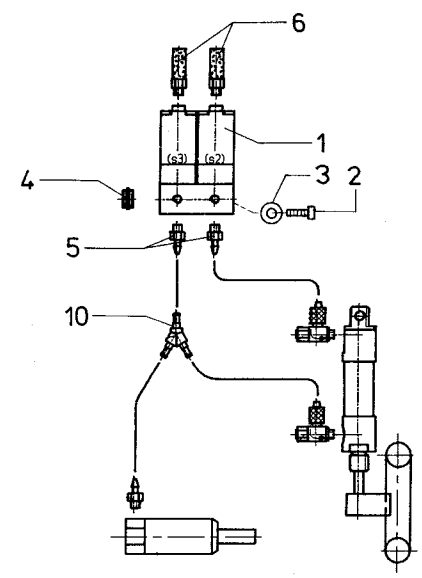
| Pos. Det. | Teile Nr. Part No. | Benennung | Denomination |
|-----------|--------------------|----------------------------------------------------|------------------------------------------------------|
| | | Anlegevorrichtung für Brustleisten | Positioning device for breast pocket welts |
| 1 | 79321208 | Wendevorrichtung kpl. (best. aus Pos. 2 bis 39) | Reversible divice cpl. (cons. of pos. 2 up to 39) |
| 2 | 79321221 | Rahmen kpl. (mit Pos. 3) | Frame cpl. (with pos. 3) |
| 3 | 79321223 | Gleitlager | Slide bearing |
| 4 | 79321231 | Zahnriemenrad | Toothed belt wheel |
| 5 | 79321236 | Exzenterbolzen | Eccentric bolt |
| 6 | 024275 | Scheibe | Washer |
| 7 | 570138 | Sicher.-Scheibe | Lock washer |
| 8 | 7461315 | Gewindestift | Thraded stud |
| 9 | 79321251 | Zahnriemenrad | Toothed belt wheel |
| 10 | 558790 | Lagernadel | Bearing needle |
| 11 | 79321261 | Halter | Holder |
| 12 | 7971521 | Zylinder (mit 6kt.-Mutter) | Cylinder (with hexagonal nut) |
| 13 | MG 8/7d | 6kt.-Mutter | Hexagonal nut |
| 14 | 7441426 | Federring | Spring ring |
| 15 | 797412 | Drosselventil | Throttle valve |
| 16 | 79321271 | Kloben | Block |
| 17 | 79321272 | Klemmstück | Clamping piece |
| 18 | 79321273 | Lasche | Shackle |
| 19 | 911339 | Linsenschraube | Fillister head screw |
| 20 | 79321277 | Zahnriemen | Toothed belt |
| 21 | 246130 | Zyl.-Schraube | Cyl. head screw |
| 22 | 79321293 | Klemmstück kpl. (mit Pos. 24) | Clamping piece cpl. (with pos. 24) |
| 23 | 79321294 | Klemmstück kpl. (mit Pos. 24) | Clamping piece cpl. (with pos. 24) |
| 24 | 23817029 | Zyl.-Schraube | Cyl. head screw |
| 25 | 24414159 | Senkschraube | Countersunk screw |
| 26 | 7971030 | Zylinder | Cylinder |
| 27 | Z 112235 | Zyl.-Schraube | Cyl. head screw |
| 28 | 746450 | Zyl.-Schraube | Cyl. head screw |
| 29 | 74640379 | Kupplungsstecker | Coupler plug |
| 30 | 7972016 | Schlauchtülle | Hose nozzle |
| 31 | 79321311 | Halter | Holder |
| 32 | 79321321 | Hebel Lever | |
| 33 | 244404 | Zugfeder | Draw spring |
| 34 | 5691895 | Scheibe | Washer |
| 35 | 79321328 | Klemmhebel kpl. (mit Pos. 36) | Clamping lever cpl. (with pos. 36) |

| Pos. Det. | Teile Nr. Part No. | Benennung | Denomination |
|-----------|--------------------|------------------------------------------------------|----------------------------------------------------------|
| 36 | 933335 | Zyl.-Schraube | Cyl. head screw |
| 37 | 7441749 | Greifring | Grip ring |
| 38 | 79321331 | Klemmleiste | Clamping reglet |
| 39 | 79321334 | Platte | Plate |
| 40 | 79321351 | Drehknopf kpl. (best. aus Pos. 41 bis 45, 56, 57) | Turning knob cpl. (cons. of pos. 41 up to 45, 56, 57) |
| 41 | 79321352 | Drehknopf | Turning knob |
| 42 | 79321353 | Führungsbolzen | Guide bolt |
| 43 | K220004060 | Druckfeder | Pressure spring |
| 44 | 2462511 | Stahlkugel | Steel ball |
| 45 | 74242611 | Scheibe | Washer |
| 46 | 79321266 | Buchse | Bushing |
| 47 | 79321212 | Klemmhalter | Clamp holder |
| 48 | 719127 | 6kt.-Schraube | Hexagonal screw |
| 49 | 79325008 | Bolzen | Bolt |
| 50 | 556379 | Scheibe | Washer |
| 51 | 10019130 | Linsenschraube | Fillister head screw |
| 52 | 94210318 | Schelle | Clip |
| 53 | 556362 | Zyl.-Schraube | Cyl. head screw |
| 54 | 557263 | Scheibe | Washer |
| 55 | 79321291 | Grundplatte | Base plate |
| 56 | 10019127 | Linsenschraube | Fillister head screw |
| 57 | 74242611 | Scheibe | Washer |

| Pos. Det. | Teile Nr. Part No. | Benennung | Denomination |
|-----------|--------------------|-----------|--------------|
| | | | |



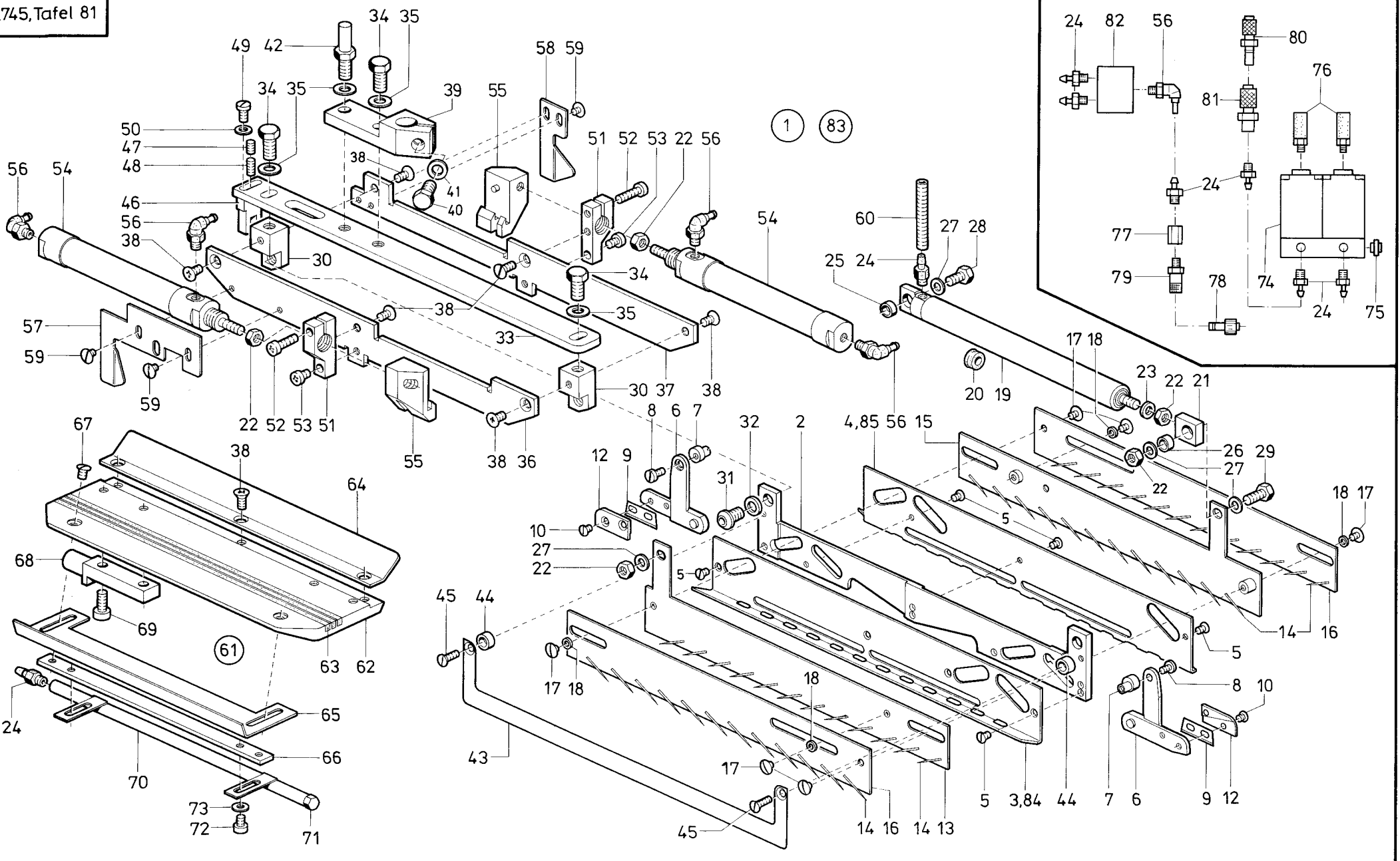
Anschluß an Druckluft
Connection to compressed air



| Pos. Det. | Teile Nr. Part No. | Benennung | Denomination |
|-----------|--------------------|-------------------------------------------|---------------------------------------------------|
| | | Anlegevorrichtung für Brustleisten | Positioning device for breast pocket welts |
| 1 | 797332 | Magnetventil | Solenoid valve |
| 2 | 7441509 | Zyl.-Schraube | Cyl. head screw |
| 3 | 024275 | Scheibe | Washer |
| 4 | 7443572 | Steckverbindung | Plug-connector |
| 5 | 7972016 | Schlauchtülle | Hose nozzle |
| 6 | Z 11649 | Schalldämpfer | Silencer |
| 7 | 55614291 | Oder-Baustein | Valve |
| 8 | Z 112612 | Zyl.-Schraube | Cyl. head screw |
| 9 | 746768 | Stecknippel | Plug nipple |
| 10 | 7972201 | Schlauchverbinder | Hose connector |
| 11 | 74640379 | Kupplungsstecker | Coupler plug |
| 12 | 7972017 | Schlauchverbinder | Hose connector |
| 13 | 797210 | 5/2-Wegeventil | 5/2-Distributor valve |
| 14 | Z 112235 | Zyl.-Schraube | Cyl. head screw |
| 15 | 7422238 | Stecknippel | Plug nipple |
| 16 | 5701847 | Stopfen | Plug |
| 17 | 797412 | Drosselventil | Throttle valve |

| Pos. Det. | Teile Nr. Part No. | Benennung | Denomination |
|-----------|--------------------|-----------|--------------|
|-----------|--------------------|-----------|--------------|

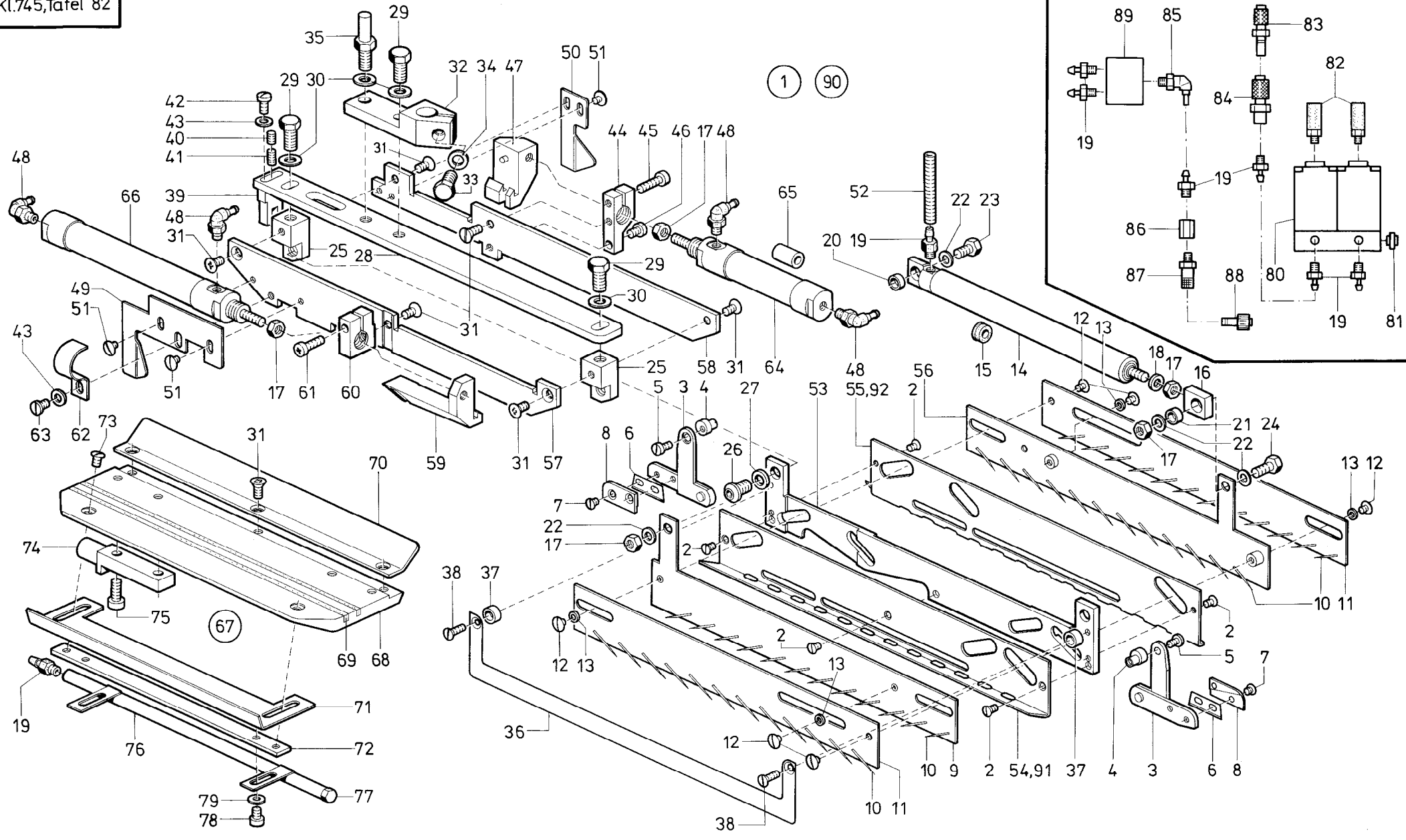
| Pos. Det. | Teile Nr. Part No. | Benennung | Denomination |
|-----------|--------------------|-----------|--------------|
|-----------|--------------------|-----------|--------------|



| Pos. Det. | Teile Nr. Part No. | Benennung | Denomination |
|-----------|--------------------|-----------------------------------------------------------------------------------------------|----------------------------------------------------------------------------------------|
| | 79327401 | Teilesatz zum Aufschneiden des Paspelstreifens, 85–180 mm Nählänge, Nadelabstand 10 mm | Set of parts for piping cutting, 85–180 mm sewing length, needle distance 10 mm |
| 1 | 79327402 | Greiffaltstempel kpl. (best. aus Pos. 2 bis 59) | Catch folder cpl. (cons. of pos. 2 up to 59) |
| 2 | 79327503 | Stegblech | Base plate |
| 3 | 79327505 | Führungsblech, links | Guide plate, left hand |
| 4 | 79327506 | Führungsblech, rechts | Guide plate, right hand |
| 5 | 57071 a | Senkschraube | Countersunk screw |
| 6 | 79327512 | Hebel | Lever |
| 7 | 79327517 | Bolzen | Bolt |
| 8 | 5691922 | Zyl.-Schraube | Cyl. head screw |
| 9 | 79327521 | Messer | Knife |
| 10 | 74611214 | Senkschraube | Countersunk screw |
| 12 | 79327523 | Platte | Plate |
| 13 | 79327525 | Nadelleiste, links, kpl. (mit Pos. 14) | Needle reglet, left hand, cpl. (with pos. 14) |
| 14 | 74650517 | Nadel | Needle |
| 15 | 79327531 | Nadelleiste, rechts, kpl. (mit Pos. 14) | Needle reglet, right hand cpl. (with pos. 14) |
| 16 | 79327535 | Nadelleiste, außen, kpl. (mit Pos. 14) | Needle reglet, outside, cpl. (with pos. 14) |
| 17 | 2113324 | Linsenschraube | Fillister head screw |
| 18 | 79327539 | Ring | Ring |
| 19 | 79327541 | Zylinder kpl. (mit Pos. 20, 21, 22, 23) | Cylinder cpl. (with pos. 20, 21, 22, 23) |
| 20 | 246348 | Lippenring | Lip seal |
| 21 | 79327561 | Kloben | Block |
| 22 | 237202 | 6kt.-Mutter | Hexagonal nut |
| 23 | 380289 | Scheibe | Washer |
| 24 | 7972016 | Schlauchtülle | Hose nozzle |
| 25 | 74650562 | Buchse | Bushing |
| 26 | 74650563 | Buchse | Bushing |
| 27 | 902514 | SDscheibe | Washer |
| 28 | 55881 | 6kt.-Schraube | Hexagonal screw |
| 29 | 74650985 | 6kt.-Schraube | Hexagonal screw |
| 30 | 79327575 | Kloben | Block |
| 31 | 74690366 | Zyl.-Schraube | Cyl. head screw |
| 32 | 5511246 | Scheibe | Washer |
| 33 | 79327581 | Leiste | Reglet |
| 34 | P 121110 | 6kt.-Schraube | Hexagonal screw |

| Pos. Det. | Teile Nr. Part No. | Benennung | Denomination |
|-----------|--------------------|---------------------------------------------|----------------------------------------------|
| 35 | 557263 | Scheibe | Washer |
| 36 | 79327586 | Leiste, links | Reglet, left hand |
| 37 | 79327587 | Leiste, rechts | Reglet, right hand |
| 38 | 7933508 | Senkschraube | Countersunk screw |
| 39 | 79327592 | Halter | Holder |
| 40 | 719127 | 6kt.-Schraube | Hexagonal screw |
| 41 | 79325006 | Scheibe | Washer |
| 42 | 79325008 | Bolzen | Bolt |
| 43 | 79327598 | Schutzblech | Guard plate |
| 44 | 79327599 | Buchse | Bush |
| 45 | 2462209 | Senkschraube | Countersunk screw |
| 46 | 79327601 | Anschlag | Stop |
| 47 | 798123005 | Gewindestift | Threaded stud |
| 48 | 74690312 | Gewindestift | Threaded stud |
| 49 | 271189 | Linsenschraube | Fillister head screw |
| 50 | 5691895 | Scheibe | Washer |
| 51 | 79327611 | Klemmstück kpl. (mit Pos. 52) | Clamping piece cpl. (with pos. 52) |
| 52 | 271413 | Linsenschraube | Fillister head screw |
| 53 | 271125 | Linsenschraube | Fillister head screw |
| 54 | 7971541 | Zylinder | Cylinder |
| 55 | 79327623 | Kloben | Block |
| 56 | 746768 | L-Stecknippel | L-Plug nipple |
| 57 | 79327631 | Leitblech, links | Guide plate, left hand |
| 58 | 79327632 | Leitblech, rechts | Guide plate, right hand |
| 59 | 911339 | Linsenschraube | Fillister head screw |
| 60 | 79327635 | Zugfeder | Draw spring |
| 61 | 79327721 | Auflage kpl. (best. aus Pos. 38, 62 bis 73) | Support cpl. (cons. of pos. 38, 62 up to 73) |
| 62 | 79327724 | Auflage kpl. (mit Pos. 63) | Support cpl. (with pos. 63) |
| 63 | 79327726 | Gummibelag | Rubber strip |
| 64 | 79324028 | Auflageblech | Supporting plate |
| 65 | 79324021 | Anschlag | Stop |
| 66 | 79324022 | Leiste | Reglet |
| 67 | 10019130 | Linsenschraube | Fillister head screw |
| 68 | 79324047 | Bolzen | Bolt |
| 69 | 746879 | Zyl.-Schraube | Cyl. head screw |
| 70 | 7944851 | Blasrohr | Blowing pipe |
| 71 | 5701847 | Blindstopfen | Blind plug |
| 72 | 556947 | Zyl.-Schraube | Cyl. head screw |
| 73 | 5691895 | Scheibe | Washer |
| 74 | 797332 | Magnetventil | Solenoid valve |
| 75 | 7443572 | Steckverbindung | Plug connector |

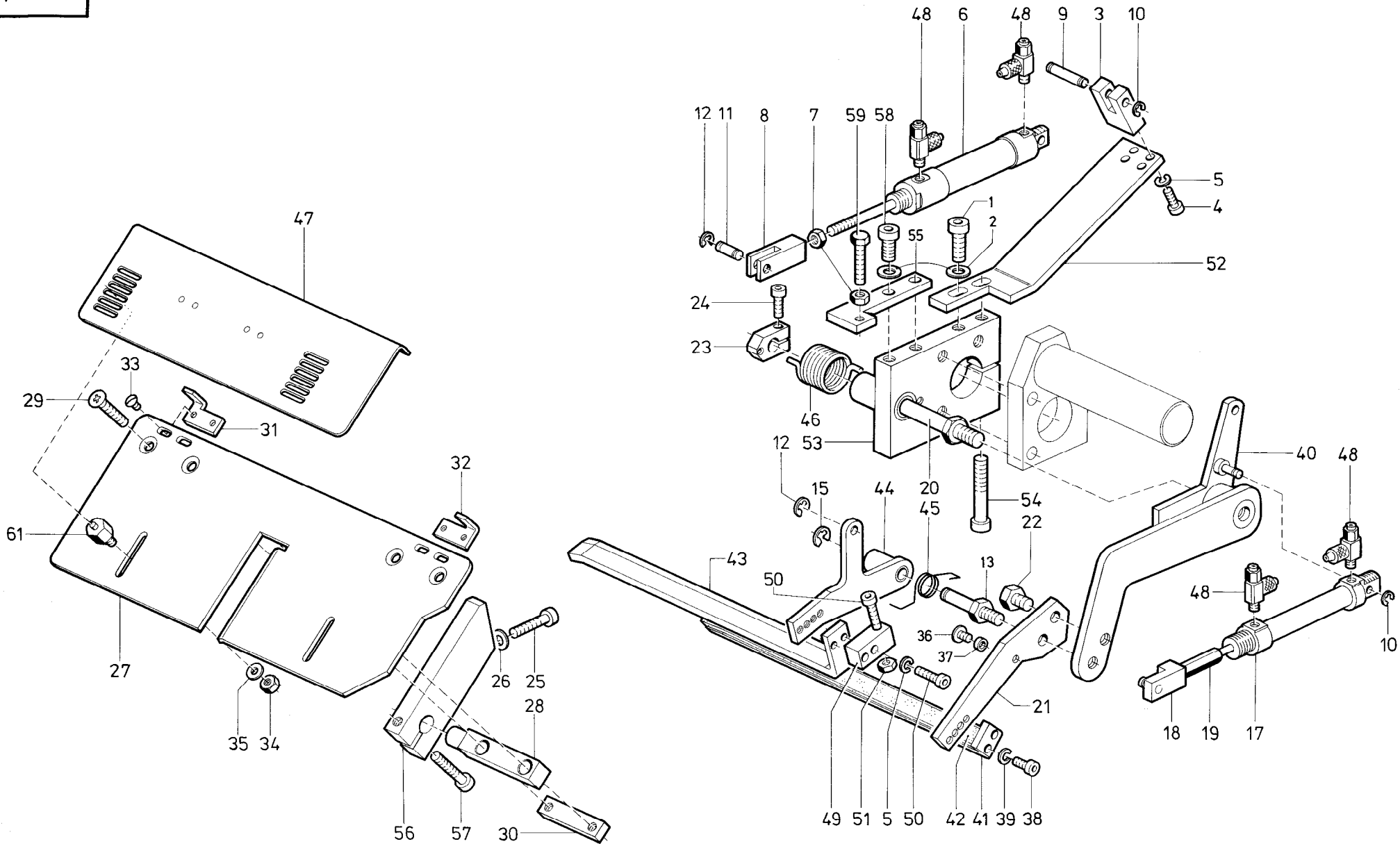
| Pos. Det. | Teile Nr. Part No. | Benennung | Denomination |
|-----------|--------------------|-----------------------------------------------------------------------------------------------|----------------------------------------------------------------------------------------|
| 76 | Z 11649 | Schalldämpfer | Silencer |
| 77 | 93374261 | Muffe | Bushing |
| 78 | 74640379 | Kupplungsstecker | Coupler plug |
| 79 | 74640378 | Kupplungsdose | Coupler socket |
| 80 | 7449779 | Steckteil | Plug connector |
| 81 | 7449801 | Kupplungsdose | Coupler socket |
| 82 | 55614291 | Oder-Baustein | Valve |
| | 79327411 | Teilesatz zum Aufschneiden des Paspelstreifens, 85–180 mm Nählänge, Nadelabstand 12 mm | Set of parts for piping cutting, 85–180 mm sewing length, needle distance 12 mm |
| 83 | 79327412 | Greiffaltstempel kpl. (best. aus Pos. 2, 5 bis 59, 84, 85) | Catch folder cpl. (cons. of pos. 2, 5 up to 59, 84, 85) |



| Pos. Det. | Teile Nr. Part No. | Benennung | Denomination |
|-----------|--------------------|-----------------------------------------------------------------------------------------------|----------------------------------------------------------------------------------------|
| | 79327405 | Teilesatz zum Aufschneiden des Paspelstreifens, 85–155 mm Nählänge, Nadelabstand 10 mm | Set of parts for piping cutting, 85–155 mm sewing length, needle distance 10 mm |
| 1 | 79327406 | Greiffaltstempel kpl. (best. aus Pos. 2 bis 66) | Catch folder cpl. (cons. of pos. 2 up to 66) |
| 2 | 57071 a | Senkschraube | Countersunk screw |
| 3 | 79327512 | Hebel | Lever |
| 4 | 79327517 | bolzen | Bolt |
| 5 | 5691922 | Zyl.-Schraube | Cyl. head screw |
| 6 | 79327521 | Messer | Knife |
| 7 | 74611214 | Senkschraube | Countersunk screw |
| 8 | 79327523 | Platte | Plate |
| 9 | 79327525 | Nadelleiste kpl. (mit Pos. 10) | Needle reglet cpl. (with pos. 10) |
| 10 | 74650517 | Nadel | Needle |
| 11 | 79327535 | Nadelleiste kpl. (mit Pos. 10) | Needle reglet cpl. (with pos. 10) |
| 12 | 2113324 | Linsenschraube | Fillister head screw |
| 13 | 79327539 | Ring | Ring |
| 14 | 79327541 | Zylinder kpl. (mit Pos. 15, 16, 17, 18) | Cylinder cpl. (with pos. 15, 16, 17, 18) |
| 15 | 246348 | Lippenring | Lip seal |
| 16 | 79327561 | Kloben | Block |
| 17 | 237202 | 6kt.-Mutter | Hexagonal nut |
| 18 | 380289 | Scheibe | Washer |
| 19 | 7972016 | Schlauchtülle | Hose nozzle |
| 20 | 74650562 | Buchse | Bush |
| 21 | 74650563 | Buchse | Bush |
| 22 | 902514 | Scheibe | Washer |
| 23 | 55881 | 6kt.-Schraube | Hexagonal screw |
| 24 | 74650985 | 6kt.-Schraube | Hexagonal screw |
| 25 | 79327575 | Kloben | Block |
| 26 | 74690366 | Zyl.-Schraube | Cyl. head screw |
| 27 | 5511246 | Scheibe | Washer |
| 28 | 79327581 | Leiste | Reglet |
| 29 | P 121110 | 6kt.-Schraube | Hexagonal screw |
| 30 | 557263 | Scheibe | Washer |
| 31 | 7933508 | Senkschraube | Countersunk screw |
| 32 | 79327592 | Halter | Holder |
| 33 | 719127 | 6kt.-Mutter | Hexagonal nut |
| 34 | 79325006 | Scheibe | Washer |

| Pos. Det. | Teile Nr. Part No. | Benennung | Denomination |
|-----------|--------------------|---------------------------------------------|----------------------------------------------|
| 35 | 79325008 | Bolzen | Bolt |
| 36 | 79327598 | Schutzblech | Guard sheet |
| 37 | 79327599 | Buchse | Bush |
| 38 | 2462209 | Senkschraube | Countersunk screw |
| 39 | 79327601 | Anschlag | Stop |
| 40 | 798123005 | Gewindestift | Threaded stud |
| 41 | 74690312 | Gewindestift | Threaded stud |
| 42 | 271189 | Linsenschraube | Fillister head screw |
| 43 | 5691895 | Scheibe | Washer |
| 44 | 79327611 | Klemmstück kpl. (mit Pos. 45) | Clamping piece cpl. (with pos. 45) |
| 45 | 2711413 | Linsenschraube | Fillister head screw |
| 46 | 271125 | Linsenschraube | Fillister head screw |
| 47 | 79327623 | Klobem | Block |
| 48 | 746768 | Stecknippel | Plug nipple |
| 49 | 79327631 | Leitblech | Guide plate |
| 50 | 79327632 | Leitblech | Guide plate |
| 51 | 911339 | Linsenschraube | Fillister head screw |
| 52 | 79327635 | Zugfeder | Draw spring |
| 53 | 79327653 | Stegblech | Base plate |
| 54 | 79327655 | Führungsblech | Guide plate |
| 55 | 79327656 | Führungsblech | Guide plate |
| 56 | 79327658 | Nadelleiste kpl. (mit Pos. 10) | Needle reglet cpl. (with pos. 10) |
| 57 | 79327661 | Leiste | Reglet |
| 58 | 79327662 | Leiste | reglet |
| 59 | 79327664 | Kloben | Block |
| 60 | 79327667 | Klemmstück | Clamping piece |
| 61 | 2711413 | Linsenschraube | Fillister head screw |
| 62 | K999202711 | Schelle | Clip |
| 63 | 223723 | Flachkopfschraube | Flat head screw |
| 64 | 71812449 | Zylinder | Cylinder |
| 65 | Z 1511047 | Buchse | Bush |
| 66 | 7971542 | Zylinder | Cylinder |
| 67 | 79327721 | Auflage kpl. (best. aus Pos. 31, 68 bis 79) | Support cpl. (cons. of pos. 31, 68 up to 79) |
| 68 | 79327727 | Auflage kpl. (mit Pos. 69) | Support cpl. (with pos. 69) |
| 69 | 79327726 | Gummibelag | Rubber strip |
| 70 | 79324028 | Auflageblech | Supporting plate |
| 71 | 79324021 | Anschlag | Stop |
| 72 | 79324022 | Leiste | Reglet |
| 73 | 10019130 | Linsenschraube | Fillister head screw |
| 74 | 79324047 | Bolzen | Bolt |

| Pos. Det. | Teile Nr. Part No. | Benennung | Denomination |
|-----------|--------------------|-----------------------------------------------------------------------------------------------|----------------------------------------------------------------------------------------|
| 75 | 746879 | Zyl.-Schraube | Cyl. head screw |
| 76 | 7944851 | Blasrohr | Blowing pipe |
| 77 | 5701847 | Blindstopfen | Blind plug |
| 78 | 556947 | Zyl.-Schraube | Cyl. head screw |
| 79 | 5691895 | Scheibe | Washer |
| 80 | 797332 | Magnetventil | Solenoid valve |
| 81 | 7443572 | Steckverbindung | Plug connector |
| 82 | Z 11649 | Schalldämpfer | Silencer |
| 83 | 7449779 | Steckteil | Plug connector |
| 84 | 7449801 | Kupplungsdose | Coupler socket |
| 85 | 746768 | Stecknippel | Plug nipple |
| 86 | 93374261 | Muffe | Bushing |
| 87 | 74640378 | Kupplungsdose | Coupler socket |
| 88 | 74640379 | Kupplungsstecker | Coupler plug |
| 89 | 55614291 | Oder-Baustein | Valve |
| | 79327415 | Teilesatz zum Aufschneiden des Paspelstreifens, 85–155 mm Nählänge, Nadelabstand 12 mm | Set of parts for piping cutting, 85–155 mm sewing length, needle distance 12 mm |
| 90 | 79327416 | Greiffaltstempel kpl. (best. aus Pos. 2 bis 53, 56 bis 66, 91, 92) | Catch folder cpl. (cons. of pos. 2 up to 53, 56 up to 91, 92) |



| Pos. Det. | Teile Nr. Part No. | Benennung | Denomination |
|-----------|--------------------|-------------------------------------------------------------|--------------------------------------------------|
| | 7945031 | Zuführeinrichtung für Paspel-Schneideinrichtung kpl. | Feeder for the piping cutting device cpl. |
| 1 | 556362 | Zyl.-Schraube | Cyl. head screw |
| 2 | 557263 | Scheibe | Washer |
| 3 | 74680166 | Lagerbock | Bearing block |
| 4 | 570912 | Zyl.-Schraube | Cyl. head screw |
| 5 | 5561075 | federring | Spring ring |
| 6 | 74221996 | Zylinder | Cylinder |
| 7 | MG 8/7d | 6kt.-Mutter | Hexagonal nut |
| 8 | 74680173 | Gabelkopf | Fork head |
| 9 | Z 11811 | Zylinderstift | Cylinder pin |
| 10 | 255129 | Sicher.-Scheibe | Lock washer |
| 11 | MG 43/2970 | Bolzen | Bolt |
| 12 | 570138 | Sicher.-Scheibe | Lock washer |
| 13 | 74680190 | Bolzen | Bolt |
| 15 | 211100a | Sicher.-Scheibe | Lock washer |
| 17 | 7971532 | Zylinder | Cylinder |
| 18 | 7944045a | Kloben | Block |
| 19 | 7944047 | Hülse | Sleeve |
| 20 | 74680206 | Bolzen | Bolt |
| 21 | 7945061 | Hebel | Lever |
| 22 | 9424586 | 6kt.-Schraube | Hexagonal screw |
| 23 | 74680212 | Stellkloben | Adjusting block |
| 24 | 7441968 | Zyl.-Schraube | Cyl. head screw |
| 25 | 2386530 | Zyl.-Schraube | Cyl. head screw |
| 26 | 024275 | Scheibe | Washer |
| 27 | 74680231 | Auflage | Rest |
| 28 | 74680233 | Bolzen | Bolt |
| 29 | 570939a | Senkschraube | Countersunk screw |
| 30 | 74640100 | Gewindelasche | Threaded shackle |
| 31 | 74680235 | Anschlag | Stop |
| 32 | 74680236 | Anschlag | Stop |
| 33 | 911339 | Linsenschraube | Fillister head screw |
| 34 | 202704 | 6kt.-Mutter | Hexagonal nut |
| 35 | 5691895 | Scheibe | Washer |
| 36 | 9336268 | Linsenschraube | Fillister head screw |
| 37 | 2113058 | Ring | Ring |
| 38 | 570912 | Zyl.-Schraube | Cyl. head screw |
| 39 | 5561075 | Federring | Spring ring |
| 40 | 7945055 | Hebel | Lever |
| 41 | 74680315 | Klemmleiste kpl. (mit Pos. 42) | Clamping reglet cpl. (with pos. 42) |
| 42 | 0020090229000 | Klebeband | Adhesive tape |

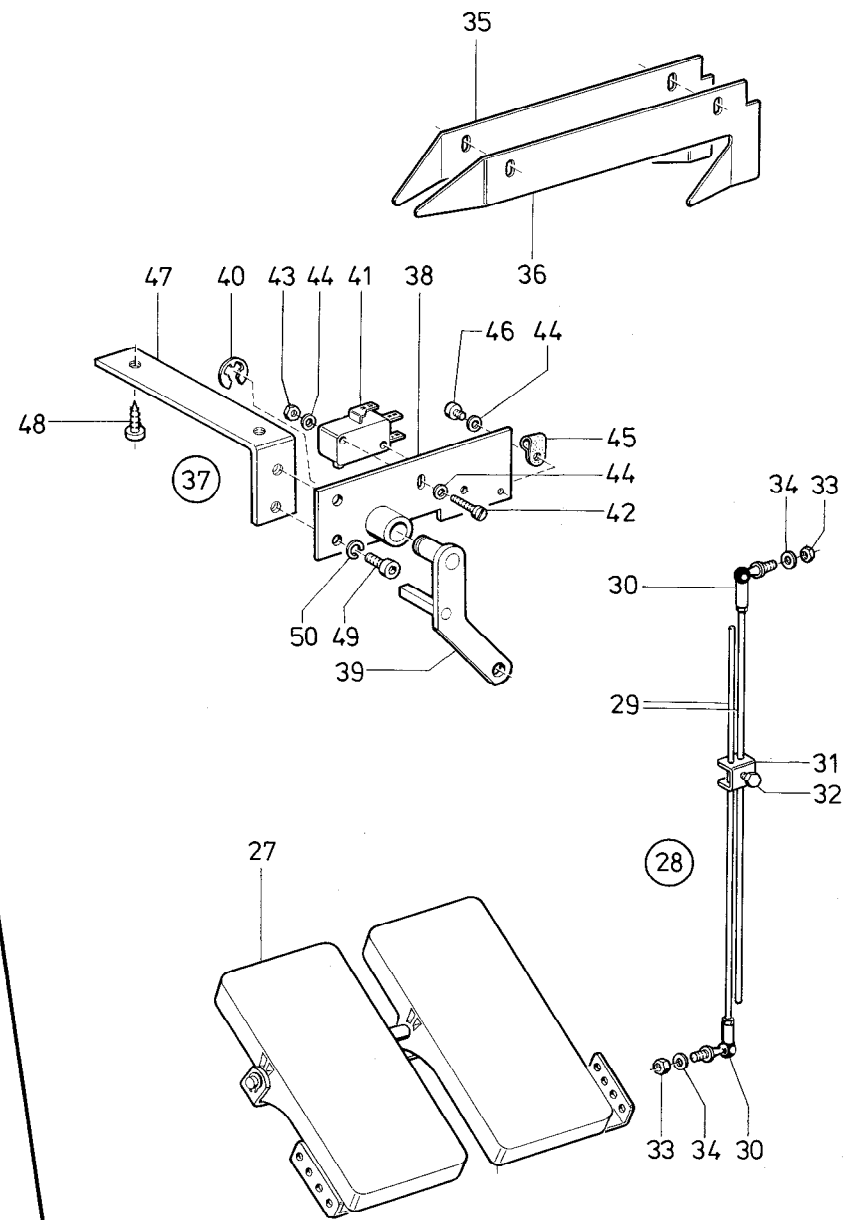
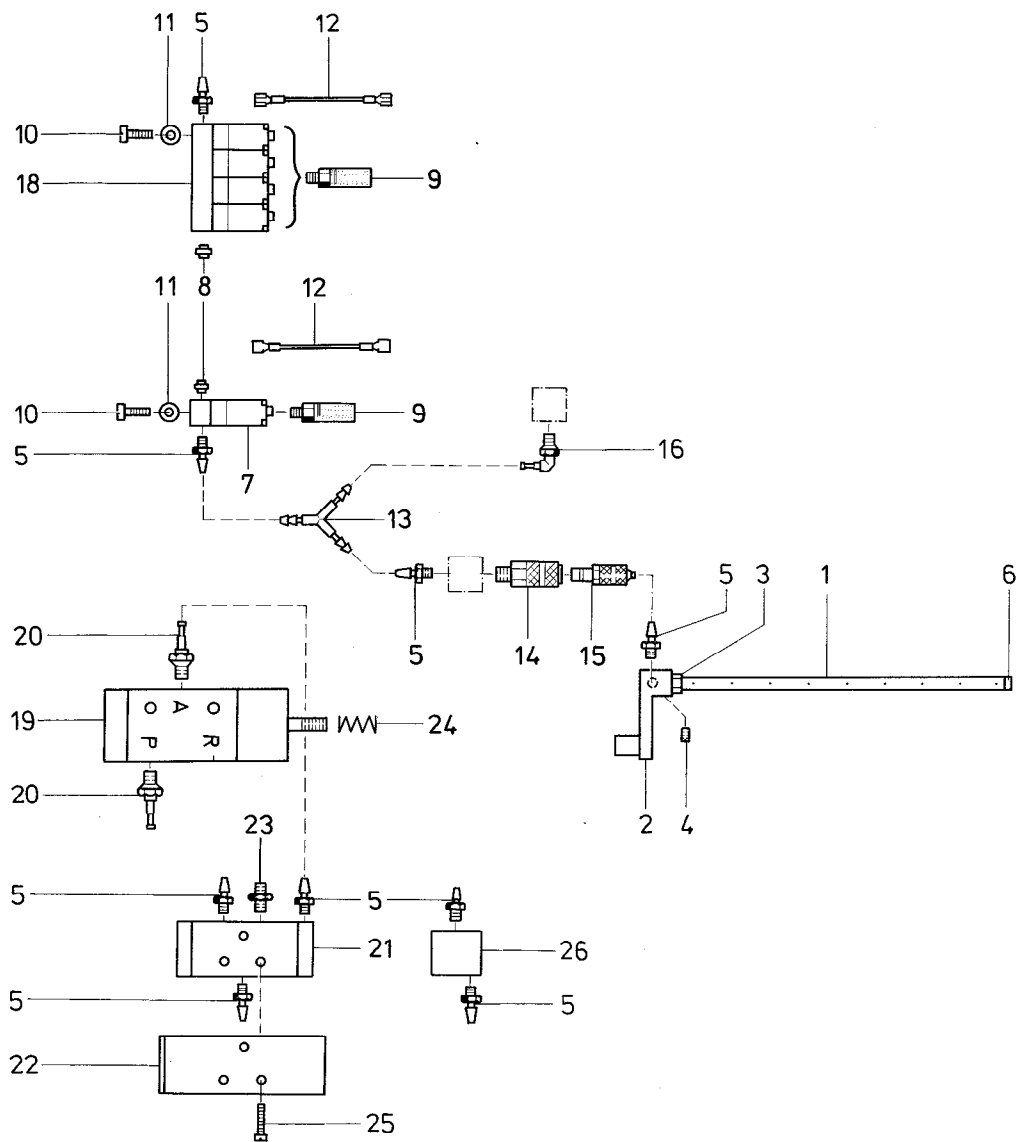
| Pos. Det. | Teile Nr. Part No. | Benennung | Denomination |
|-----------|--------------------|----------------------------------|---------------------------------------|
| 43 | 74680316a | Klemmleiste, links | Clamping reglet, left hand |
| 44 | 7945064 | Hebel | Lever |
| 45 | 7944520 | Drehfeder | Torsion spring |
| 46 | 74680321 | Drehfeder | Torsion spring |
| 47 | 7944522 | Anschlag | Stop |
| 48 | 797412 | Drosselventil | Throttle valve |
| 49 | 7944837 | Zwischenstück | Adjusting piece |
| 50 | 7461212 | Zyl.-Schraube | Cyl. head screw |
| 51 | 202704 | 6kt.-Mutter | Hexagonal nut |
| 52 | 7945048 | Platte | Plate |
| 53 | 7944806 | Halter kpl. (mit Pos. 54) | Holder cpl. (with pos. 54) |
| 54 | 7441694 | Zyl.-Schraube | Cyl. head screw |
| 55 | 7944813 | Platte | Plate |
| 56 | 7945068 | Klemmstück kpl. (mit Pos. 57) | Clamping piece cpl. (with pos. 57) |
| 57 | 92211296 | Zyl.-Schraube | Cyl. head screw |
| 58 | 74240277 | Zyl.-Schraube | Cyl. head screw |
| 59 | 93910071 | 6kt.-Schraube | Hexagonal screw |
| 61 | 74640074 | Distanzstück | Distance piece |

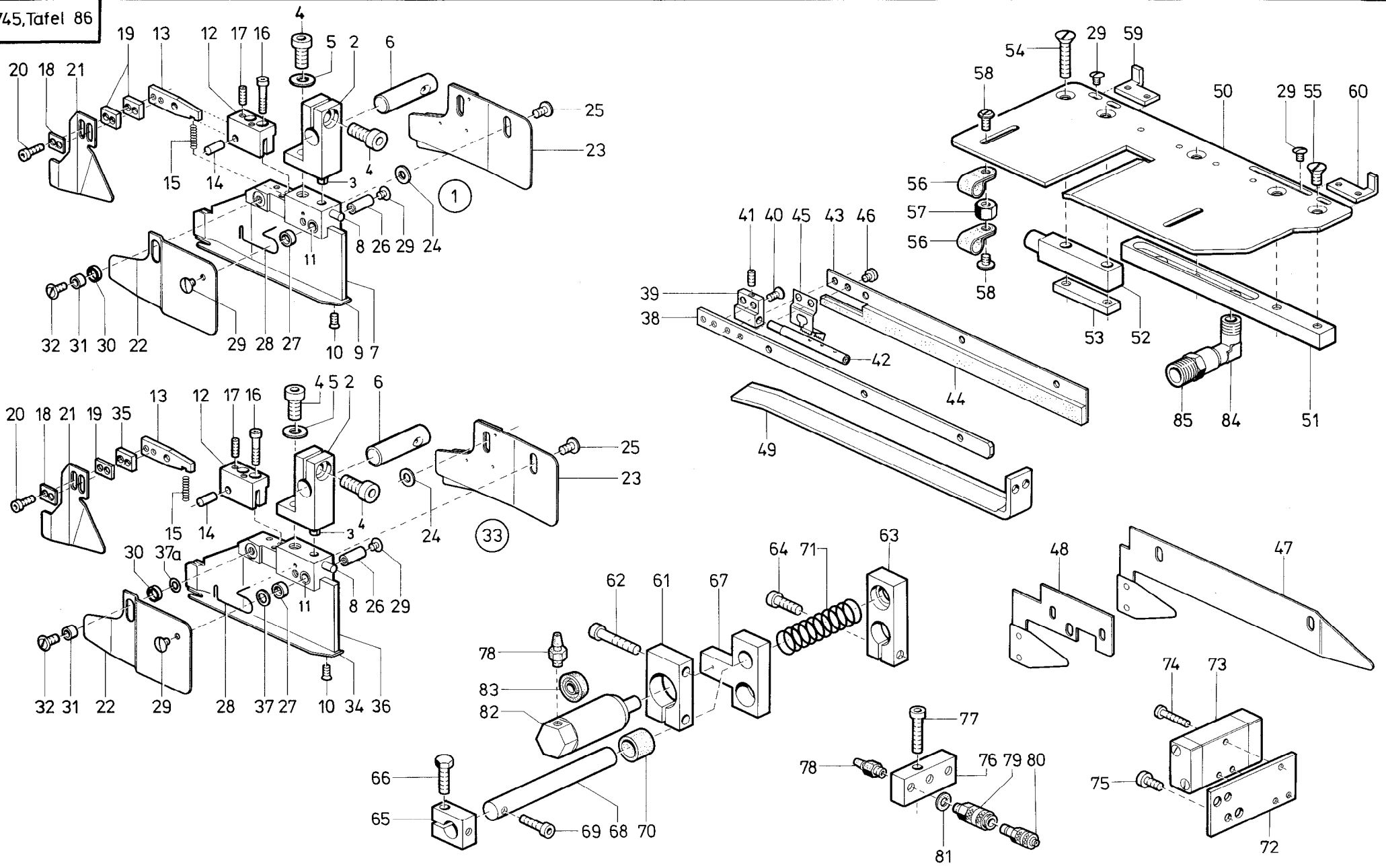
| Pos. Det. | Teile Nr. Part No. | Benennung | Denomination |
|-----------|--------------------|-----------|--------------|
|-----------|--------------------|-----------|--------------|

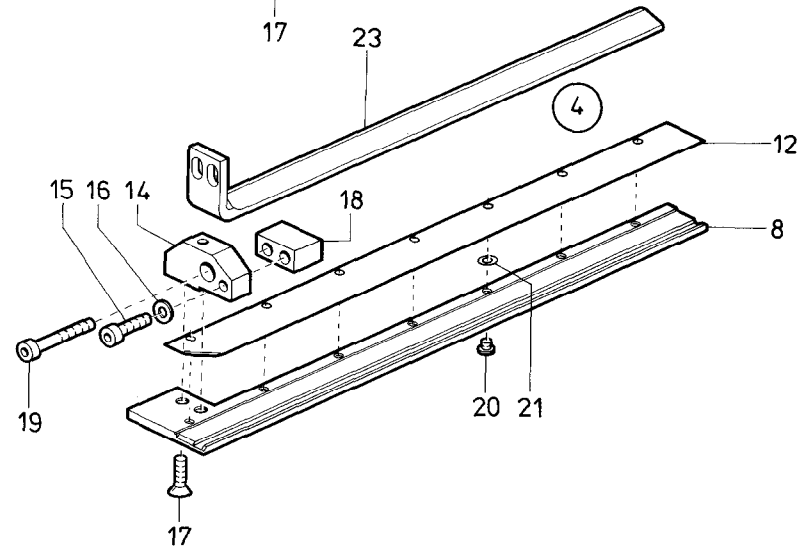
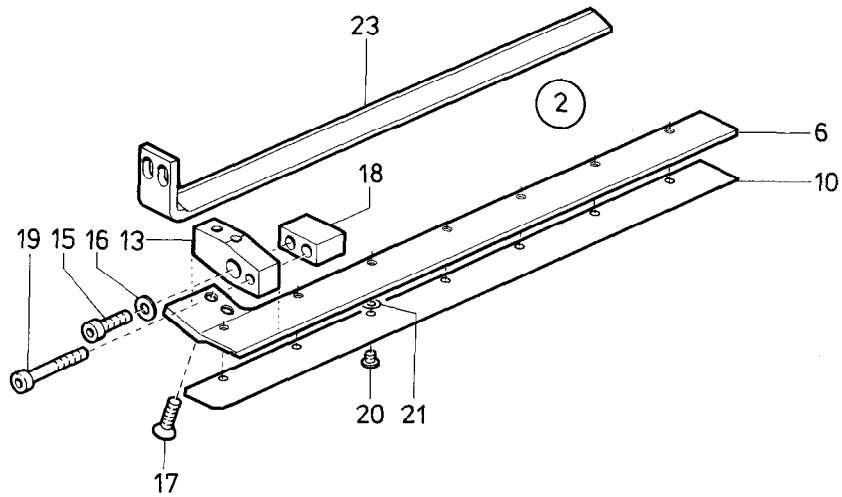
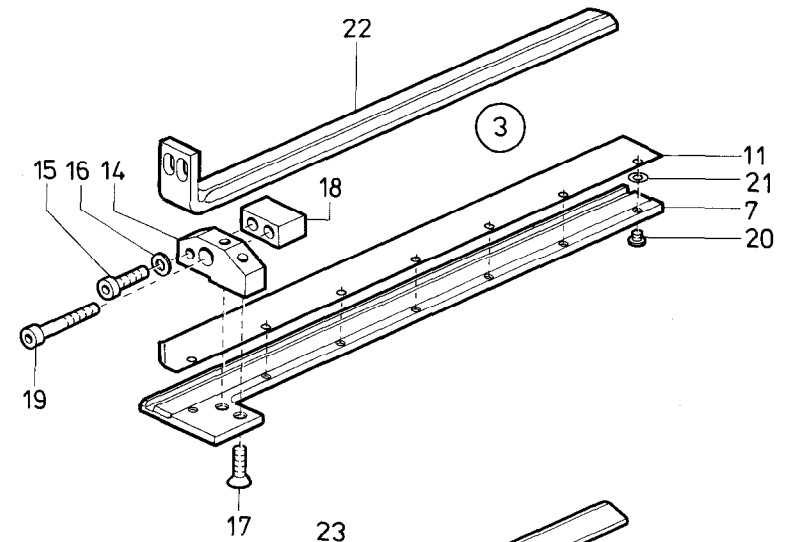
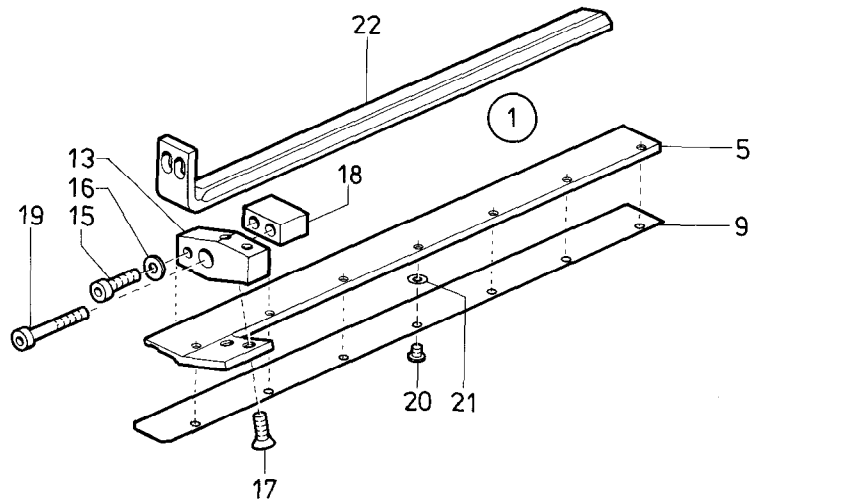
| Pos. Det. | Teile Nr. Part No. | Benennung | Denomination |
|-----------|--------------------|-------------------------------------------------------------|------------------------------------------------------|
| | | Zuführeinrichtung für Paspel-Schneideinrichtung kpl. | Feeder for the piping cutting device cpl. |
| 1 | 556362 | Zyl.-Schraube | Cyl. head screw |
| 2 | 557263 | Scheibe | Washer |
| 3 | 74680166 | Lagerbock | Bearing block |
| 4 | 570912 | Zyl.-Schraube | Cyl. head screw |
| 5 | 5561075 | Federring | Spring ring |
| 6 | 74221996 | Zylinder | Cylinder |
| 7 | MG 8/7d | 6kt.-Mutter | Hexagonal nut |
| 8 | 74680173 | Gabelkopf | Fork head |
| 9 | Z 11811 | Zylinderstift | Cylinder pin |
| 10 | 255129 | Sicher.-Scheibe | Lock washer |
| 11 | MG 43/2970 | Bolzen | Bolt |
| 12 | 570138 | Sicher.-Scheibe | Lock washer |
| 13 | 74680190 | Bolzen | Bolt |
| 14 | MG 43/408 | 6kt.-Mutter | Hexagonal nut |
| 15 | 211100a | Sicher.-Scheibe | Lock washer |
| 16 | 7441131 | Federring | Spring ring |
| 17 | 7971532 | Zylinder | Cylinder |
| 18 | 7944045a | Kloben | Block |
| 19 | 7944047 | Hülse | Sleeve |
| 20 | 5561075 | Federring | Spring ring |
| 21 | 74680206 | Bolzen | Bolt |
| 22 | 725520b | Federring | Spring ring |
| 23 | 72042a | 6kt.-Mutter | Hexagonal nut |
| 24 | 74680212 | Stellkloben | Adjusting block |
| 25 | 7441968 | Zyl.-Schraube | Cyl. head screw |
| 26 | 74680216 | Platte | Plate |
| 27 | 93370175 | Zyl.-Schraube | Cyl. head screw |
| 28 | 74680232 | Auflage | Rest |
| 29 | 74680233 | Bolzen | Bolt |
| 30 | 570939a | Senkschraube | Countersunk screw |
| 31 | 74640100 | Gewindelassche | Threaded shackle |
| 32 | 74680235 | Anschlag | Stop |
| 33 | 74680236 | Anschlag | Stop |
| 34 | 911339 | Linsenschraube | Fillister head screw |
| 35 | 202704 | 6kt.-Mutter | Hexagonal nut |
| 36 | 5691895 | Scheibe | Washer |
| 37 | 74640074 | Distanzstück | Distance piece |
| 38 | 7928311 | Formanschlag kpl. (best. aus Pos. 4, 39 bis 46) | Shape stop cpl. (cons. of pos. 4, 39 up to 46) |
| 39 | 74640338 | Halter | Holder |

| Pos. Det. | Teile Nr. Part No. | Benennung | Denomination |
|-----------|--------------------|---------------------------------------------------------|------------------------------------------------------|
| 40 | 7928321 | Stange | Rod |
| 41 | 7928326 | Kloben kpl. (mit Pos. 4) | Block cpl. (with pos. 4) |
| 42 | 7928328 | Anschlag kpl. (mit Pos. 4) | Stop cpl. (with pos. 4) |
| 43 | 7928334 | Führung | Guidance |
| 44 | 216497 | Zyl.-Schraube | Cyl. head screw |
| 45 | 223723 | Zyl.-Schraube | Cyl. head screw |
| 46 | 55890 | Scheibe | Washer |
| 47 | 74680281 | Formanschlag kpl. (best. aus Pos. 34, 48, 49, 50) | Shape stop cpl. (cons. of pos. 34, 48, 49, 50) |
| 48 | 74640338 | Halter | Holder |
| 49 | 74680283 | Platte | Plate |
| 50 | 74680287 | Aufnahme | Retainer |
| 51 | 9336268 | Linsenschraube | Fillister head screw |
| 52 | 2113058 | Ring | Ring |
| 53 | 797412 | Drosselventil | Throttle valve |
| 54 | 23810073 | Winkelstück | Square piece |
| 55 | 7944520 | Drehfeder | Torsion spring |
| 56 | 74680321 | Drehfeder | Torsion spring |
| 57 | 7944605 | Klemmleiste kpl. (mit Pos. 58) | Clamping reglet cpl. (with pos. 58) |
| 58 | 0020090229000 | Klebeband | Adhesive tape |
| 59 | 7944837 | Zwischenstück | Adjusting piece |
| 60 | 7461212 | Zyl.-Schraube | Cyl. head screw |
| 61 | 202704 | 6kt.-Mutter | Hexagonal nut |
| 62 | 74680317 | Hebel | Lever |
| 63 | 7944609 | Klemmleiste | Clamping reglet |
| 64 | 7944815 | Klemmstück kpl. (mit Pos. 65) | Clamping piece cpl. (with pos. 65) |
| 65 | 93311296 | Zyl.-Schraube | Cyl. head screw |
| 66 | 93910071 | 6kt.-Schraube | Hexagonal screw |
| 67 | 2386530 | Zyl.-Schraube | Cyl. head screw |
| 68 | 024275 | Scheibe | Washer |
| 69 | 7944913 | Halter kpl. (mit Pos. 70) | Holder cpl. (with pos. 70) |
| 70 | 7441694 | Zyl.-Schraube | Cyl. head screw |
| 71 | 7944922 | Hebel | Lever |
| 72 | 7944926 | Platte | Plate |
| 73 | 7945044 | Verbinder | Connector |
| 74 | 719127 | 6kt.-Schraube | Hexagonal screw |

| Pos. Det. | Teile Nr. Part No. | Benennung | Denomination |
|-----------|--------------------|-----------|--------------|
|-----------|--------------------|-----------|--------------|



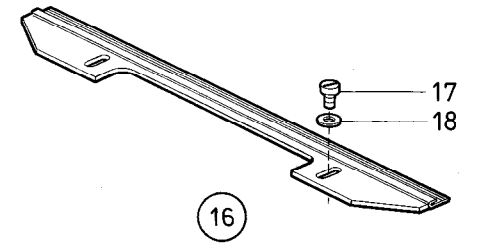
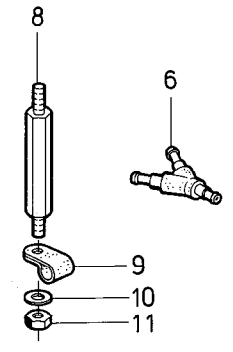
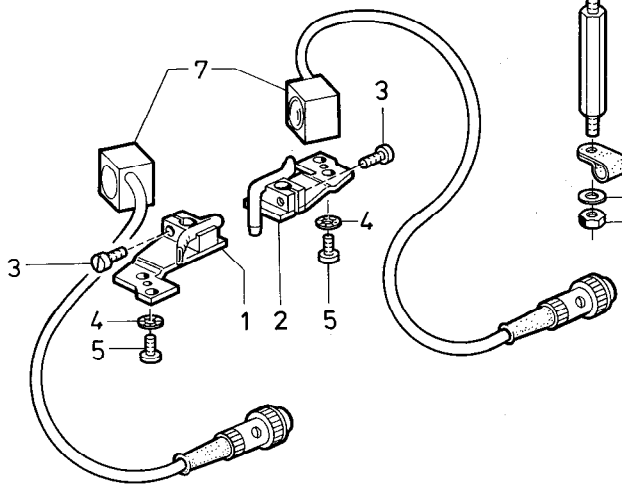
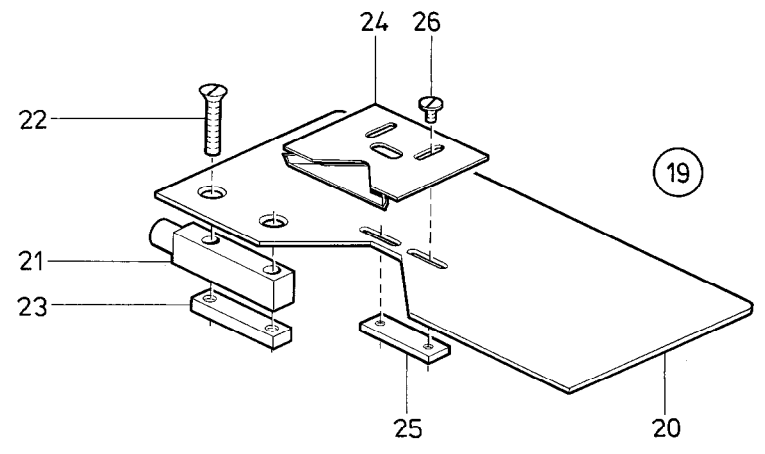
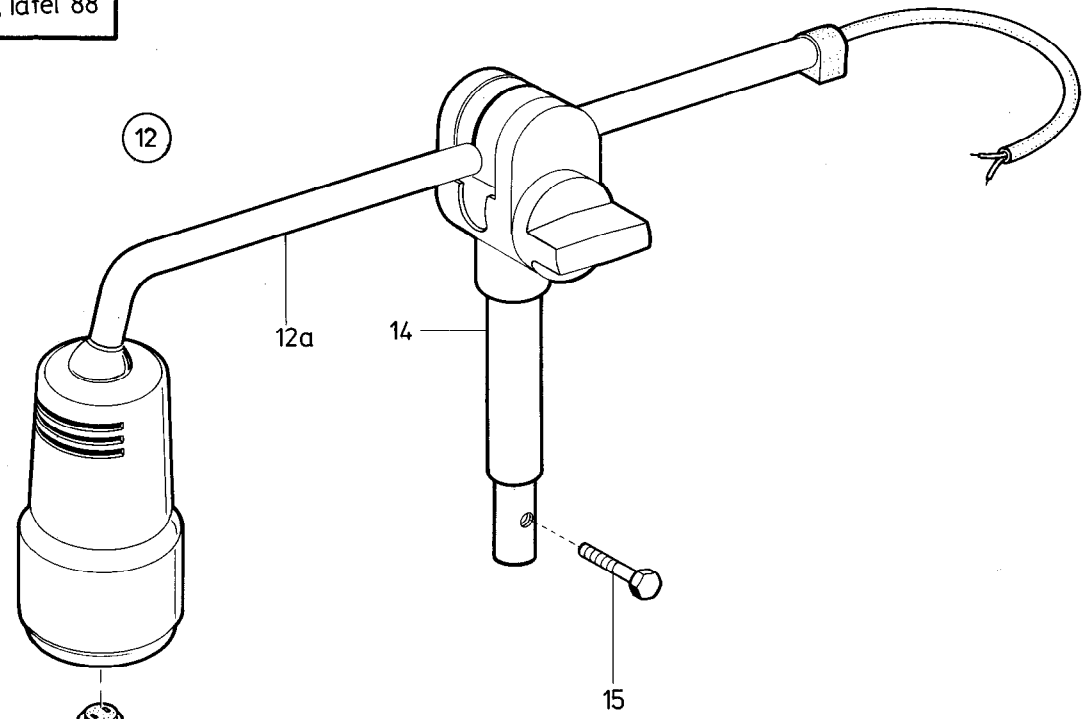




| Pos. Det. | Teile Nr. Part No. | Benennung | Denomination |
|-----------|--------------------|-----------------------------------------------------------------------------------------|----------------------------------------------------------------------------------------|
| 1 | 7946151 | Teilesatz für Reißverschluss, links, kpl. (best. aus Pos. 5, 9, 13, 15 bis 22) | Set of parts for left hand zipper, cpl. (cons. of pos. 5, 9, 13, 15 up to 22) |
| 2 | 7946152 | Teilesatz für Reißverschluss, rechts, kpl. (best. aus Pos. 6, 10, 13, 15 bis 21, 23) | Set of parts for right hand zipper, cpl. (cons. of pos. 6, 10, 13, 15 up to 21, 23) |
| 3 | 7946153 | Teilesatz für Reißverschluss, links, kpl. (best. aus Pos. 7, 11, 14 bis 20, 21, 22) | Set of parts for left hand zipper, cpl. (cons. of pos. 7, 11, 14 up to 20, 21, 22) |
| 4 | 7946154 | Teilesatz für Reißverschluss, rechts, kpl. (best. aus Pos. 8, 12, 14 bis 21, 23) | Set of parts for right hand zipper, cpl. (cons. of pos. 8, 12, 14 up to 21, 23) |
| 5 | 7946161 | Führungsleiste (links) | Guide reglet (left hand) |
| 6 | 7946162 | Führungsleiste (rechts) | Guide reglet (right hand) |
| 7 | 7946163 | Führungsleiste (links) | Guide reglet (left hand) |
| 8 | 7946164 | Führungsleiste (rechts) | Guide reglet (right hand) |
| 9 | 7946171 | Deckblech | Covering sheet |
| 10 | 7946172 | Deckblech | Covering sheet |
| 11 | 7946173 | Deckblech | Covering sheet |
| 12 | 7946174 | Deckblech | Covering sheet |
| 13 | 7947177 | Halter | Holder |
| 14 | 7946178 | Halter | Holder |
| 15 | 74420778 | Zyl.-Schraube | Cyl. head screw |
| 16 | 5691895 | Scheibe | Washer |
| 17 | 271297 | Senkschraube | Countersunk screw |
| 18 | 7946189* | Kloben | Block |
| 19 | 93311399* | Zyl.-Schraube | Cyl. head screw |
| 20 | 9024102 | Zyl.-Schraube | Cyl. head screw |
| 21 | 5586199 | Scheibe | Washer |
| 22 | 7946191 | Klemmleiste | Clamping reglet |
| 23 | 7946192 | Klemmleiste | Clamping reglet |
| | | * Nur bei Bedarf! | * For requirement only! |

| Pos. Det. | Teile Nr. Part No. | Benennung | Denomination |
|-----------|--------------------|-----------|--------------|
|-----------|--------------------|-----------|--------------|

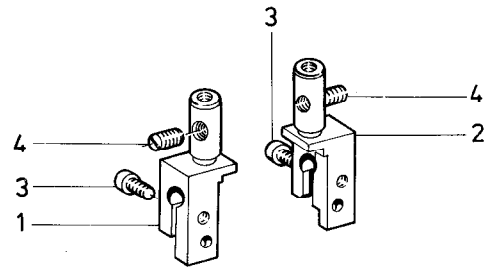
| Pos. Det. | Teile Nr. Part No. | Benennung | Denomination |
|-----------|--------------------|-----------|--------------|
|-----------|--------------------|-----------|--------------|



| Pos. Det. | Teile Nr. Part No. | Benennung | Denomination |
|-----------|--------------------|-------------------------------------------------------------------------|---------------------------------------------------------------------------|
| | 7942001 | Restfadenwächter für Unterfäden | Rest-Thread catcher for Under-Threads |
| 1 | 7942005 | Halter, links, kpl. (mit Pos. 3) | Holder, left hand, cpl. (with pos. 3) |
| 2 | 7942006 | Halter, rechts, kpl. (mit Pos. 3) | Holder, right hand, cpl. (with pos. 3) |
| 3 | 270263 | Zyl.-Schraube | Cyl. head screw |
| 4 | 739298 | Zahnscheibe | Tooth lock washer |
| 5 | 739297 | Zyl.-Schraube | Cyl. head screw |
| 6 | 7972201 | Schlauchverbindung | Hose connector |
| 7 | 7465506 | Lichtschranke | Light barrier |
| 8 | 7465425 | 6kt.-Bolzen | Hexagonal bolt |
| 9 | 94210318 | Schelle | Clip |
| 10 | 5691895 | Scheibe | Washer |
| 11 | 202704 | 6kt.-Mutter | Hexagonal nut |
| 12 | App. 1251 | Nähleuchte kpl. (best. aus Pos. 12a bis 15) | Sewing lamp cpl. (cons. of pos. 12a up to 15) |
| 12a | App. 1061 | Nähleuchte kpl. (mit Pos. 13) | Sewing lamp cpl. (with pos. 13) |
| 13 | App. 1069 | Halogenlampe | Halogen lamp |
| 14 | App. 1261 | Bolzen | Bolt |
| 15 | 5701392 | 6kt.-Schraube | Hexagonal screw |
| 16 | 7943145 | Reißverschlußführung kpl. (mit Pos. 17 und 18) | Zip guidance cpl. (with pos. 17 and 18) |
| 17 | 216497 | Linsenschraube | Fillister head screw |
| 18 | 1005233 | Scheibe | Washer |
| 19 | 7945421 | Formanschlag für Knopflochlasche kpl. (best. aus Pos. 20 bis 26) | Shape stop for buttonhole shackle cpl. (cons. of pos. 20 up to 26) |
| 20 | 7945423 | Auflageplatte | Base plate |
| 21 | 74680233 | Bolzen | Bolt |
| 22 | 570939a | Senkschraube | Countersunk screw |
| 23 | 74640100 | Lasche | Shackle |
| 24 | 7945427 | Formanschlag | Shape stop |
| 25 | 73985 | Bef.-Blech | Fastening plate |
| 26 | 216497 | Flachkopfschraube | Flat head screw |

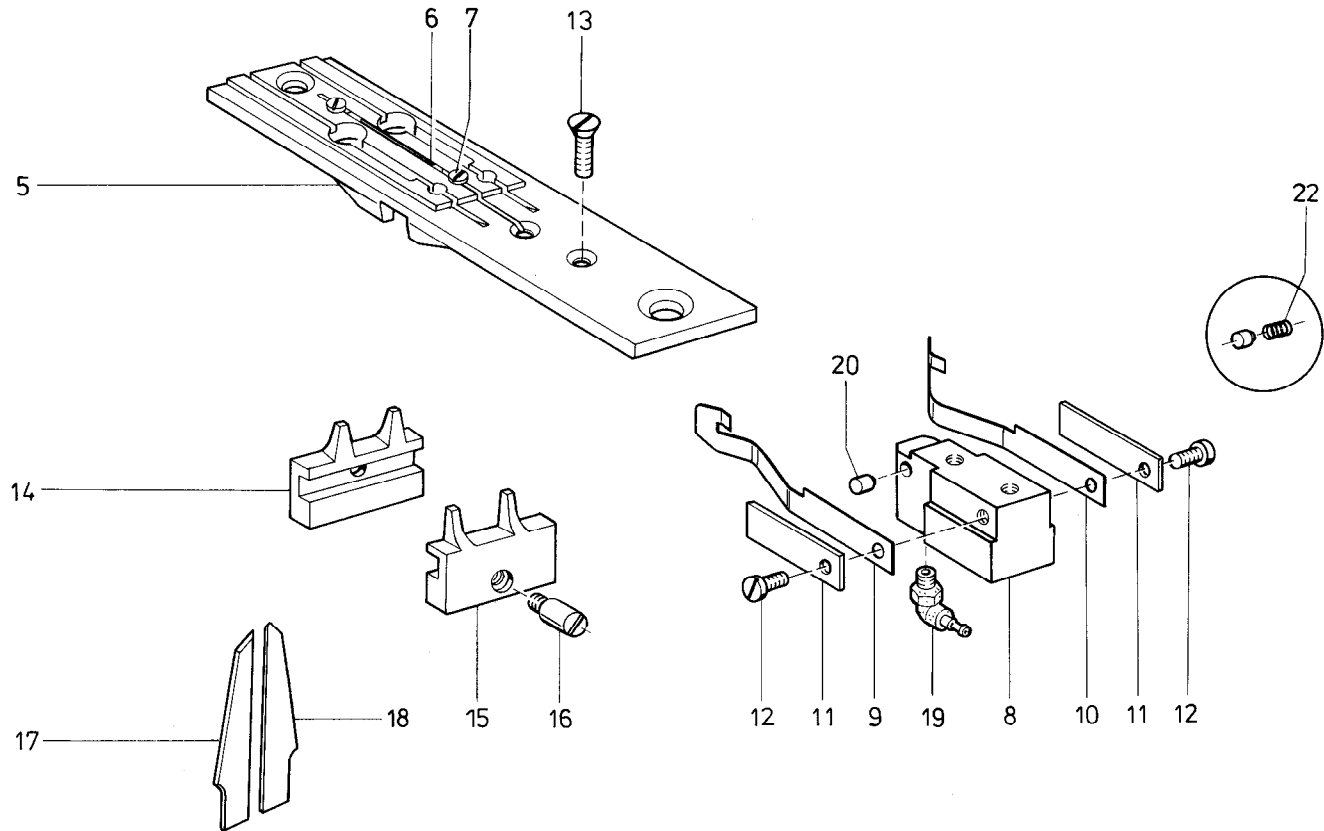
| Pos. Det. | Teile Nr. Part No. | Benennung | Denomination |
|-----------|--------------------|-----------|--------------|
|-----------|--------------------|-----------|--------------|

| Pos. Det. | Teile Nr. Part No. | Benennung | Denomination |
|-----------|--------------------|-----------|--------------|
|-----------|--------------------|-----------|--------------|



**Einzelteile für weitere
N-Einrichtungen
siehe Anhang!**

**Parts for further
N-Sewing Equipments
see appendix!**



Näheinrichtungen

Kl. 745

Zur Beachtung!

In nachfolgender Näheinrichtungstabelle sind alle Näheinrichtungen der Kl. 745 aufgeführt, die z. Z. der Drucklegung festgelegt sind. Um die Übersicht und die Bestellung von Näheinrichtungen zu erleichtern, sind sogenannte "E-Nrn." (Einrichtungskomplettnummern) geschaffen worden. In Einrichtungsübersichtsblättern sind die "E-Nrn." geordnet nach Nahtabständen in der ersten Spalte aufgeführt. Weitere nähtechnische Angaben, wie das für die Paspelbreite entscheidende Faltstempelmaß, max. zulässige Paspelstreifenbreite, max. Nählänge und engste Stelle für den Stoffdurchgang folgen in den nächsten Spalten. Eine E-Nr. besteht aus Einrichtungsgruppen, die mit Kurzzeichen versehen sind, z. B. E3.

K13 = linke und rechte Klammer
N1 = Näheinrichtung (Stichplatte, Nadelhalter, Messer usw.)
S26 = Greif-Faltstempel u. Faltstempel
A3 = Auflage für Paspel

Aus welchen Teilen eine Einrichtungsgruppe zusammengestellt ist, wird unter Angabe der Teile-Nummern auf gesondertem Blatt aufgeführt. Aus Faltstempel-Symbolen in der letzten Spalte ist ersichtlich, ob Tascheneingriffe beidseitig, einseitig links oder einseitig rechts paspeliert werden. Die darunter angegebenen NB-Nrn. zeigen im Nahtschaubild-Katalog die verschiedenen Verarbeitungsarten mit oder ohne Platte, Taschenbeutel, Verstärkungsstreifen, Knopfschlaufe usw. Sollen verschieden paspelierte Tascheneingriffe genäht werden, so können zur "E-Nr." weitere Faltstempel ("S-Nrn.") anderer Einrichtungen unter Berücksichtigung von Nahtabstand und max. Nählänge bestellt werden, z. B. zu E3 für beidseitig paspelierte Tascheneingriffe zusätzlich s29 für einseitig links paspelierte Tascheneingriffe.

Je nach NB ist die Breite des Greif-faltstempels und des Faltstempels so bemessen, daß ein gut geschlossener Tascheneingriff genäht wird. Um dieses auch bei dünnerem Nähgut oder beim Weglassen einer Patte zu erreichen, sind Stempel mit größerer Breite festgelegt worden, z. B. s16 bei E3

Sewing equipment

Cl. 745

Note!

The following table includes all sewing equipment that is now available for Cl. 745.

For better survey and easier ordering of the sewing equipment we have created so-called "E-numbers" (complete equipment numbers).

In the equipment survey sheets the "E-numbers" are listed according to the seam margins in the first column. Further technical data, like the folder size, that is decisive for the piping width, the maximum admissible piping strip width, the maximum seam length and the narrowest point for the fabric passage are stated in other columns.

An "E-number" consists of equipment groups having a short reference number, e.g. E3:

K13 = clamp, left and right
N1 = sewing equipment (throat plate, needle clamp, knife etc.)
S26 = catch/folder and folder
A3 = piping rest

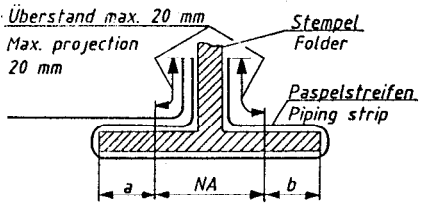
The components of an equipment group and the respective parts numbers are indicated on a separate sheet. From the folder symbols in the last column it can be seen whether a pocket opening is piped on either side or only the left or on the right.

The lower NB-No. shows in the seam sketch catalogue the different versions, with or without flap, pocket bag, backing strap, button loop, etc.

For sewing different piped pockets it is possible to order for an "E-Nr." further folders ("S-No.") of other equipment, taking in consideration the seam margin and the maximum seam length, for instance E3 for double piped pockets can be completed by s29 for unilateral 1/h piping

Depending on the NB the width of the catch and of the folder is such that a well closed pocket opening can be sewn. For ensuring this also with thin material or when omitting a flap, there are wider equipments, e.g. S16 for E3.



| Unterklasse Sub-class | Einrichtung Equipment | Nahabstand in mm Seam distance, mm | 1) Faltsattelmaß Folder size | | max. Paspelstreifenbreite in mm Max piping strip width, mm | Nähbereich in mm Sewing area in mm | 2) Stoffdurchgang Cloth passage | Einrichtung besteht aus Equipment consisting of | | | | Pneumatikteile Pneumatic parts | Beschreibung Description |
|-----------------------------|--------------------------|---------------------------------------|---------------------------------|-----|---------------------------------------------------------------|---------------------------------------|----------------------------------------------|----------------------------------------------------|---------------------------------|----------------------|-------------------------------|---------------------------------------------------------------------------------------------------------------------------------------------------------------------------------------------------------------------------------------------------------------------------------------------------------------------------------------------------------------------------------------------------------------------------------------------------------------------------------------------------------------------------------------------------|-----------------------------------------------------------------------------------------------------------------------------------------|
| | | | a | b | | | | Klammern Clamps | Nährichtung Sewing equipment | Faltstempel Stamp | Auflagen Preparation table | | |
| 745-4-21 22 23 24 | E3 | 10 | 3,5 | 3,5 | 70 | 40-180 | rechts right 2 | X3 K13 | N1 | S3 | A1 |  <p>Tascheneingriffe beidseitig paspeliert nach NB 333; 429; 435; 438; 440; 442; 444 Pocket openings, piped at either side according to NB 333; 429; 435; 438; 440; 442; 444 Zu verwenden bei Paspelaufnahme rechts (Sacko-Fertigung) For use with picking up the piping on the right (for jackets) Bei Ausstattung mit Zuführung für Verstärkungsstreifen auch für NB 436; 437; 439; 441 for backing straps also for NB 436; 437; 439; 441</p> | |
| 745-5-21 22 23 24 | | | 4 | 4 | 72 | " | links left 3,5 | | | S26 | A3 | | |
| | | | 4,5 | 4,5 | 74 | " | | | | S16 ³⁾ | | | |
| 745-7-21 22 23 24 | E103 | " | 4 | 4 | 72 | 75-180 | rechts right 2 links left 3,5 | X3 K13 | N5 | S26 | A3 | | |
| 745-15-21 22 23 24 | E203 | " | " | " | " | 40-180 | " | " | N9 | S40 | " | | |
| 745-5-21 22 23 24 | E403 -1 | " | " | " | " | 85-180 | " | " | N1 | S66 | A5 | | <p>Wie vor, jedoch mit Einrichtung zum Aufschneiden des Paspelstreifens As before, but with equipment for cutting up the piping</p> |
| 745-5-21 22 23 24 | E403 -2 | " | " | " | " | 85-155 | " | " | N1 | S67 | " | | |
| 745-7-21 22 23 24 | E503 -1 | " | " | " | " | 85-180 | " | " | N5 | S66 | " | | |
| 745-7-21 22 23 24 | E503 -2 | " | " | " | " | 85-155 | " | " | N5 | S67 | " | | |
| 745-15-21 22 23 24 | E603 -1 | " | " | " | " | 85-180 | " | " | N9 | S68 | " | | |
| 745-15-21 22 23 24 | E603 -2 | " | " | " | " | 85-155 | " | " | N9 | S69 | " | | |

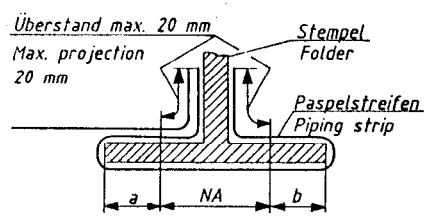
1) Die Paspelbreite ergibt sich aus a bzw. b + Paspelstreifenstärke.

The piping width results from a and b + piping strip thickness.

2) Stoffdurchgang = Engste Stelle am Faltsattel zur Führung des Nähgutes. Depending on the NB the width of the catch and of the folder is such that a well closed pocket opening can be sewn. For ensuring this also with thin material or when omitting a flap, there are wider equipments, e.g. S16 for E3.

3) Je nach NB ist die Breite des Greiffaltsstempels u. des Faltsattels so bemessen, daß ein gut geschlossener Tascheneingriff genäht wird. Um dieses auch bei dünnerem Nähgut oder beim Weglassen einer Patte zu erreichen, sind Stempel mit größerer Breite festgelegt worden, z.B. S16 bei E3.



| Unterklasse Sub-class | Einrichtung Equipment | Nahtabstand in mm Seam distance, mm NA | 1) Faltstempelmaß Folder size | | max. Paspelstreifenbreite in mm Max piping strip width, mm | Nähbereich in mm Sewing area in mm | 2) Stoffdurchgang Cloth passage | | Einrichtung besteht aus Equipment consisting of | | | Pneumatikteile Pneumatic parts | Beschreibung Description |
|-----------------------------|--------------------------|----------------------------------------------|-------------------------------------|-----|---------------------------------------------------------------|---------------------------------------------------|---------------------------------------|---------------------------------|----------------------------------------------------|-------------------------------|----|--------------------------------------------------------------------------------------------------------------------------------------------------------------------------------------------------------------------------------------------------------------------------------------------------------------------------------------------------------------------------------------------------------------------------------------------------|-----------------------------|
| | | | a | b | | | Klammern Clamps | Nährichtung Sewing equipment | Faltstempel Stamp | Auflagen Preparation table | | | |
| 745-4-21 22 23 24 | E4 | 10 | 3,5 | 3,5 | 70 | rechts right 3,5 - links left 2 | K12 | N1 | S4 S27 | A1 A3 | |  <p>Tascheneingriffe beidseitig paspeliert nach NB 333; 430; 440; 444; 445 pocket openings, piped at either side according to NB 333; 430; 440; 444; 445</p> <p>zu verwenden bei Paspelaufnahme links (Hosen-Fertigung u. Futterinnentaschen) For use with picking up the piping on the left (for trousers and lining inside jackets)</p> | |
| 745-5-21 22 23 24 | | | 4 | 4 | 72 | | | | S17 ³⁾ | | | | |
| 745-7-21 22 23 24 | E104 | " | 4 | 4 | 72 | rechts right 3,5 - links left 2 | K12 | N5 | S27 | A3 | | | |
| 745-15-21 22 23 24 | E204 | " | " | " | " | " | " | N9 | S41 | " | | | |
| 745-5-21 22 23 24 | E404 -1 | " | " | " | " | 85-180 | " | " | N1 | S70 | A5 | <p>Wie vor, jedoch mit Einrichtung zum Aufschneiden des Paspelstreifens As before, but with equipment for cutting up the piping</p> | |
| 745-5-21 22 23 24 | E404 -2 | " | " | " | " | 85-155 | " | " | N1 | S71 | " | | |
| 745-7-21 22 23 24 | E504 -1 | " | " | " | " | 85-180 | " | " | N5 | S70 | " | | |
| 745-7-21 22 23 24 | E504 -2 | " | " | " | " | 85-155 | " | " | N5 | S71 | " | | |
| 745-15-21 22 23 24 | E604 -1 | " | " | " | " | 85-180 | " | " | N9 | S72 | " | | |
| 745-15-21 22 23 24 | E604 -2 | " | " | " | " | 85-155 | " | " | N9 | S73 | " | | |

1) Die Paspelbreite ergibt sich aus a bzw. b + Paspelstreifenstärke.

The piping width results from a and b + piping strip thickness.

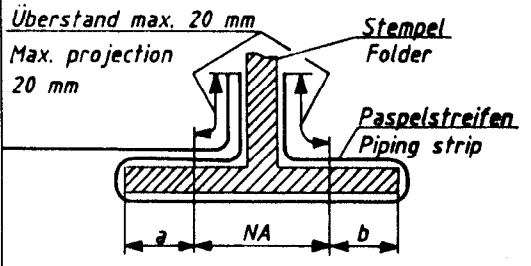
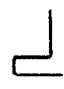
2) Stoffdurchgang = Engste Stelle am Faltstempel zur Führung des Nähgutes.

Cloth passage = Narrowest point at the folder for guiding the work.

3) Je nach NB ist die Breite des Greiffaltstempels u. des Faltstempels so bemessen, daß ein gut geschlossener Tascheneingriff genäht wird. Um dieses auch bei dünnerem Nähgut oder beim Weglassen einer Patte zu erreichen, sind Stempel mit größerer Breite festgelegt worden, z.B. S16 bei E3.

Depending on the NB the width of the catch and of the folder is such that a well closed pocket opening can be sewn. For ensuring this also with thin material or when omitting a flap, there are wider equipments, e.g. S16 for E3.



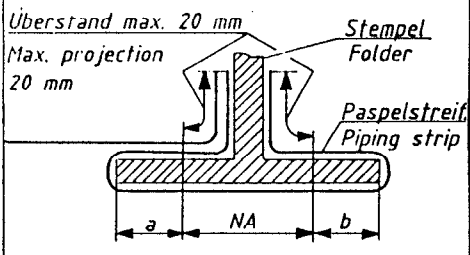
| Unterklasse Sub-class | Einrichtung Equipment | Nahtabstand in mm Seam distance, mm | Faltstempelmaß Folder size | | max. Paspelstreifenbreite in mm Max piping strip width, mm | max. Nählänge in mm Max seam length, mm | Stoffdurchgang Cloth passage | Einrichtung besteht aus Equipment consisting of | | | | Aufgaben Preparation table | Beschreibung Description |
|-----------------------------|--------------------------|----------------------------------------|-------------------------------|-----|---------------------------------------------------------------|--------------------------------------------|------------------------------------------------|----------------------------------------------------|--------------------|---------------------------------|----------------------|-------------------------------------------------------------------------------------------------------------------------------------------------------------------------------------------|----------------------------------------------------------------------------------------------------------------------------------------------------------------------------------------------|
| | | | NA | a | | | | b | Klammern Clamps | Nährichtung Sewing equipment | Faltstempel Stamp | | |
| 745-4-21 22 23 24 | E5 | 10 | 1,5 | 7,5 | 45 | 180 | rechts right 2 | K3 K13 | N1 | S5 | A2 |  | |
| 745-5-21 22 23 24 | | | 1,5 | 8,5 | 47 | | links left 3,5 | | | S28 | | | <p>Tascheneingriffe rechts paspeliert nach NB 431; 455 Pocket openings, piped on the r/h side according to NB 431; 455</p> |
| | | | 1,5 | 9,5 | 49 | | | | | S18 ³⁾ | | <p>Zu verwenden bei Paspelaufnahme rechts (Sakko-Fertigung) For use with picking up the piping on the right (for jackets)</p> | |
| 745-7-21 22 23 24 | E105 | " | 1,5 | 8,5 | 47 | 180 | rechts right 2 - links left 3,5 | K3 K13 | N5 | S28 | A2 | | |
| 745-15-21 22 23 24 | E205 | " | " | " | " | " | " | " | N9 | S42 | " | | |
| 745-4-21 22 23 24 | E6 | 10 | 7,5 | 1,5 | 45 | 180 | rechts right 3,5 | K4 K14 | N1 | S6 | A2 |  | |
| 745-5-21 22 23 24 | | | 8,5 | 1,5 | 47 | | links left 2 | | | S29 | | | <p>Tascheneingriffe links paspeliert nach NB 335; 447; 449; 451; 452; 453; 454 Pocket openings, piped on the l/h side according to NB 335; 447; 449; 451; 452; 453; 454.</p> |
| | | | 9,5 | 1,5 | 49 | | | | | S19 ³⁾ | | <p>Zu verwenden bei Paspelaufnahme links (Hosen- und Futterinnentaschen) For use with picking up the piping, on the left (for trousers and lining inside pockets)</p> | |
| 745-7-21 22 23 24 | E106 | " | 8,5 | 1,5 | 47 | 180 | rechts right 3,5 links left 2 | K4 K14 | N5 | S29 | A2 | <p>Bei Ausstattung mit Zuführung für Verstärkungsstreifen auch für NB 448;450 When fitted with feeding equipment for backing straps also for NB 448; 450.</p> | |
| 745-15-21 22 23 24 | E206 | " | " | " | " | " | " | " | N9 | S43 | " | | |

1) Die Paspelbreite ergibt sich aus a bzw. b + Paspelstreifenstärke.
The piping width results from a and b + piping strip thickness.

3) Je nach NB ist die Breite des Greiffaltstempels u. des Faltstempels so bemessen, daß ein gut geschlossener Tascheneingriff genäht wird. Um dieses auch bei dünnerem Nähgut oder beim Weglassen einer Patte zu erreichen, sind Stempel mit größerer Breite festgelegt worden, z.B. S16 bei E3.

2) Stoffdurchgang = Engste Stelle am Faltstempel zur Führung des Nähgutes. Depending on the NB the width of the catch and of the folder is such that a well closed pocket opening can be sewn. For ensuring this also with thin material or when omitting a flap, there are wider equipments, e.g. S16 for E3.
Cloth passage = Narrowest point at the folder for guiding the work.



| Unterklasse Sub-class | Einrichtung Equipment | Nahtaabstand in mm Seam distance, mm | 1) Faltspielmaß Folder size | | max Paspelstreifenbreite in mm Max piping strip width, mm | Nähbereich in mm Sewing area in mm | 2) Stoffdurchgang Cloth passage | Einrichtung besteht aus Equipment consisting of | | | | Pneumatikteile Pneumatic parts | Beschreibung Description |
|-----------------------------|--------------------------|-----------------------------------------|-----------------------------------|-----|--------------------------------------------------------------|---------------------------------------|----------------------------------------------|----------------------------------------------------|---------------------------------|----------------------|-------------------------------|----------------------------------------------------------------------------------------------------------------------------------------------------------------------------------------------------------------------------------------------------------------------------------------------------------------------------------------------------------------------------------------------------------------------------------------------------------------------------------------------------------------------------------------------------|-----------------------------------------------------------------------------------------------------------------------------------------|
| | | | a | b | | | | Klammern Clamps | Nahrichtung Sewing equipment | Faltstempel Stamp | Auflagen Preparation table | | |
| 745-4-21 22 23 24 | E7 | 12 | 4,5 | 4,5 | 78 | 45-180 | rechts right 3 | K13 | N2 | S7 | A1 |  <p>Tascheneingriffe beidseitig paspeliert nach NB 333; 429; 435; 438; 440; 442; 444 Pocket openings, piped at either side according to NB 333; 429; 435; 438; 440; 442; 444 Zu verwenden bei Paspelaufnahme rechts (Sacko-Fertigung) For use with picking up the piping on the right (for jackets) Bei Ausstattung mit Zuführung für Verstärkungsstreifen auch für NB 436; 437; 439; 441 for backing straps also for NB 436; 437; 439; 441</p> | |
| 745-5-21 22 23 24 | | | 5 | 5 | 78 | | links left 4,5 | | | S30 | A3 | | |
| | | | 5,5 | 5,5 | 80 | " | | | | S20 ³⁾ | | | |
| 745-7-21 22 23 24 | E107 | " | 5 | 5 | 78 | 80-180 | rechts right 3 links left 4,5 | K13 | N6 | S30 | A3 | | |
| 745-15-21 22 23 24 | E207 | " | " | " | " | 45-180 | " | " | N10 | S44 | " | | |
| 745-5-21 22 23 24 | E407 -1 | " | " | " | " | 85-180 | " | " | N2 | S74 | A5 | | <p>Wie vor, jedoch mit Einrichtung zum Aufschneiden des Paspelstreifens As before, but with equipment for cutting up the piping</p> |
| 745-5-21 22 23 24 | E407 -2 | " | " | " | " | 85-155 | " | " | N2 | S75 | " | | |
| 745-7-21 22 23 24 | E507 -1 | " | " | " | " | 85-180 | " | " | N6 | S74 | " | | |
| 745-7-21 22 23 24 | E507 -2 | " | " | " | " | 85-155 | " | " | N6 | S75 | " | | |
| 745-15-21 22 23 24 | E607 -1 | " | " | " | " | 85-180 | " | " | N10 | S76 | " | | |
| 745-15-21 22 23 24 | E607 -2 | " | " | " | " | 85-155 | " | " | N10 | S77 | " | | |

1) Die Paspelbreite ergibt sich aus a bzw. b + Paspelstreifenstärke.

The piping width results from a and b + piping strip thickness.

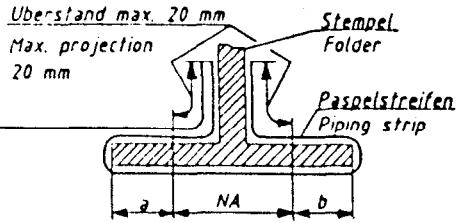
2) Stoffdurchgang = Engste Stelle am Faltspiel zur Führung des Nähgutes.

Cloth passage = Narrowest point at the folder for guiding the work.

3) Je nach NB ist die Breite des Greiffaltstempels u. des Faltspielstempels so bemessen, daß ein gut geschlossener Tascheneingriff genäht wird. Um dieses auch bei dünnerem Nähgut oder beim Weglassen einer Patte zu erreichen, sind Stempel mit größerer Breite festgelegt worden, z.B. S16 bei E3.

Depending on the NB the width of the catch and of the folder is such that a well closed pocket opening can be sewn. For ensuring this also with thin material or when omitting a flap, there are wider equipments, e.g. S16 for E3.



| Unterklasse Sub-class | Einrichtung Equipment | Nahtabstand in mm Seam distance, mm | 1) Faltstempelmaß Folder size | | max. Paspelstreifenbreite in mm Max piping strip width mm | Nähbereich in mm Sewing area in mm | 2) Stoffdurchgang Cloth passage | Einrichtung besteht aus Equipment consisting of | | | | Pneumatikteile Pneumatic parts | Beschreibung Description |
|-----------------------------|--------------------------|----------------------------------------|-------------------------------------|-----|--------------------------------------------------------------|---------------------------------------|---------------------------------------------------|----------------------------------------------------|---------------------------------|----------------------|-------------------------------|--------------------------------------------------------------------------------------------------------------------------------------------------------------------------------------------------------------------------------------------------------------------------------------------------------------------------------------------------------------------------------------------------------------------------------------------------|-----------------------------------------------------------------------------------------------------------------------------------------|
| | | | a | b | | | | Klammern Clamps | Nährichtung Sewing equipment | Faltstempel Stamp | Auflagen Preparation table | | |
| 745-4-21 22 23 24 | E8 | 12 | 4,5 | 4,5 | 78 | 45-180 | rechts right 4,5 - links left 3 | K12 | N2 | S8 | A1 |  <p>Tascheneingriffe beidseitig paspeliert nach NB 333; 430; 440; 444; 445 pocket openings, piped at either side according to NB 333; 430; 440; 444; 445</p> <p>zu verwenden bei Paspelaufnahme links (Hosen-Fertigung u. Futterinnen-taschen) For use with picking up the piping on the left (for trousers and lining inside jackets)</p> | |
| 745-5-21 22 23 24 | | | 5 | 5 | 78 | | | | | S31 | A3 | | |
| | | | 5,5 | 5,5 | 80 | | | | | S21 ³⁾ | | | |
| 745-7-21 22 23 24 | E108 | " | 5 | 5 | 78 | 80-180 | rechts right 4,5 - links left 3 | K12 | N6 | S31 | A3 | | |
| 745-15-21 22 23 24 | E208 | " | " | " | " | 45-180 | " | " | N10 | S45 | " | | |
| 745-5-21 22 23 24 | E408 -1 | " | " | " | " | 85-180 | " | " | N2 | S78 | A5 | P1 | <p>Wie vor, jedoch mit Einrichtung zum Aufschneiden des Paspelstreifens As before, but with equipment for cutting up the piping</p> |
| 745-5-21 22 23 24 | E408 -2 | " | " | " | " | 85-155 | " | " | " | S79 | " | " | |
| 745-7-21 22 23 24 | E508 -1 | " | " | " | " | 85-180 | " | " | N6 | S78 | " | " | |
| 745-7-21 22 23 24 | E508 -2 | " | " | " | " | 85-155 | " | " | " | S79 | " | " | |
| 745-15-21 22 23 24 | E608 -1 | " | " | " | " | 85-180 | " | " | N10 | S80 | " | " | |
| 745-15-21 22 23 24 | E608 -2 | " | " | " | " | 85-155 | " | " | " | S81 | " | " | |

1) Die Paspelbreite ergibt sich aus a bzw. b + Paspelstreifenstärke.

The piping width results from a and b + piping strip thickness.

2) Stoffdurchgang = Engste Stelle am Fallstempel zur Führung des Nähgutes.

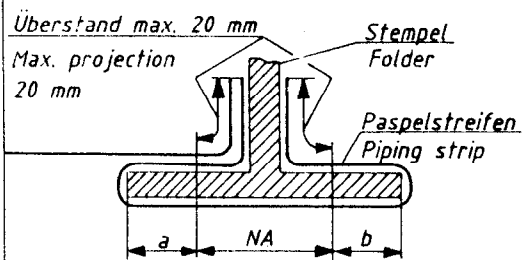
Cloth passage = Narrowest point at the folder for guiding the work.

3) Je nach NB ist die Breite des Greiffaltstempels u. des Fallstempels so bemessen, daß ein gut geschlossener Tascheneingriff genäht wird. Um dieses auch bei dünnerem Nähgut oder beim Weglassen einer Patte zu erreichen, sind Stempel mit größerer Breite festgelegt worden, z.B. S16 bei E3.

Depending on the NB the width of the catch and of the folder is such that a well closed pocket opening can be sewn. For ensuring this also with thin material or when omitting a flap, there are wider equipments, e.g. S16 for E3.



| Unterklasse Sub-class | Einrichtung Equipment | Nahabstand in mm Seam distance, mm | 1) Faltstempelmaß Folder size | | max. Paspelstreifenbreite in mm Max piping strip width, mm | max. Nählänge in mm Max seam length, mm | 2) Stoffdurchgang Cloth passage | | Einrichtung besteht aus Equipment consisting of | Auflagen Preparation table | Beschreibung Description |
|-----------------------------|--------------------------|---------------------------------------|-------------------------------------|------|---------------------------------------------------------------|--------------------------------------------|---------------------------------------------------|---------------------------------|----------------------------------------------------|-------------------------------|-----------------------------|
| | | | a | b | | | Klammern Clamps | Nährichtung Sewing equipment | | | |
| 745-4-21 22 23 24 | E9 | 12 | 2,5 | 2,5 | 50 | 180 | rechts right 3 | K3 K 13 | N2 | S9 | A2 |
| | | | 2,5 | 10,5 | 52 | | links left 4,5 | | | | |
| | | | 2,5 | 11 | 53 | | | | | | |
| 745-5-21 22 23 24 | E109 | " | 2,5 | 10,5 | 52 | 180 | rechts right 3 - links left 4,5 | K3 K 13 | N6 | S32 | A2 |
| | | | 2,5 | 11 | 53 | | | | | | |
| | | | 2,5 | 11 | 53 | | | | | | |
| 745-7-21 22 23 24 | E109 | " | 2,5 | 10,5 | 52 | 180 | rechts right 3 - links left 4,5 | K3 K 13 | N6 | S32 | A2 |
| | | | 2,5 | 11 | 53 | | | | | | |
| | | | 2,5 | 11 | 53 | | | | | | |
| 745-15-21 22 23 24 | E209 | " | " | " | " | " | " | " | N10 | S46 | " |
| | | | " | " | " | | " | | | | |
| | | | " | " | " | | " | | | | |
| 745-4-21 22 23 24 | E10 | 12 | 9,5 | 2,5 | 50 | 180 | rechts right 4,5 | K4 K 14 | N2 | S10 | A2 |
| | | | 10,5 | 2,5 | 52 | | links left 3 | | | | |
| | | | 11 | 2,5 | 53 | | | | | | |
| 745-5-21 22 23 24 | E110 | " | 10,5 | 2,5 | 52 | 180 | rechts right 4,5 - links left 3 | K4 K 14 | N6 | S33 | A2 |
| | | | 11 | 2,5 | 53 | | | | | | |
| | | | 11 | 2,5 | 53 | | | | | | |
| 745-7-21 22 23 24 | E110 | " | 10,5 | 2,5 | 52 | 180 | rechts right 4,5 - links left 3 | K4 K 14 | N6 | S33 | A2 |
| | | | 11 | 2,5 | 53 | | | | | | |
| | | | 11 | 2,5 | 53 | | | | | | |
| 745-15-21 22 23 24 | E210 | " | " | " | " | " | " | " | N10 | S47 | " |
| | | | " | " | " | | " | | | | |
| | | | " | " | " | | " | | | | |



1) Die Paspelbreite ergibt sich aus a bzw. b + Paspelstreifenstärke.
The piping width results from a and b + piping strip thickness.

2) Stoffdurchgang = Engste Stelle am Faltstempel zur Führung des Nähgutes.
Cloth passage = Narrowest point at the folder for guiding the work.

3) Je nach NB ist die Breite des Greiffaltstempels u. des Faltstempels so bemessen, daß ein gut geschlossener Tascheneingriff genäht wird. Um dieses auch bei dünnerem Nähgut oder beim Weglassen einer Patte zu erreichen, sind Stempel mit größerer Breite festgelegt worden, z.B. S16 bei E3.
Depending on the NB the width of the catch and of the folder is such that a well closed pocket opening can be sewn. For ensuring this also with thin material or when omitting a flap, there are wider equipments, e.g. S16 for E3.



| Unterklasse Sub-class | Einrichtung Equipment | Nahabstand in mm Seam distance, mm | 1) Faltstempelmaß Folder size | | max. Paspelstreifenbreite in mm Max piping strip width, mm | max. Nählänge in mm Max seam length, mm | 2) Stoffdurchgang Cloth passage | | Einrichtung besteht aus Equipment consisting of | Klammern Clamps | Nähmaschine Sewing equipment | Faltstempel Stamp | Auflagen Preparation table | | Beschreibung Description |
|-----------------------------|--------------------------|---------------------------------------|-------------------------------------|-----|---------------------------------------------------------------|--------------------------------------------|---------------------------------------|---|----------------------------------------------------|--------------------|---------------------------------|----------------------|----------------------------------------------------------------------------------------------------------------------------------------------------------------------------------------------------------------------------------------------------------------------------------------------------------------------------------------------------------------------------------------------------------------------------------------------------------------------------------------------------------------|--|-----------------------------|
| | | | a | b | | | | | | | | | | | |
| 745-4-21 22 23 24 | E12 | 14 | 5,5 | 5,5 | 82 | 100 | | | K3 K13 | N3 | S3 | A1 | <p>Tascheneingriffe beidseitig paspeliert nach NB 333; 429; 435; 438; 440; 442; 444. Pocket openings, piped at either side according to NB 333; 429; 435; 438; 440; 442; 444.</p> <p>Zu verwenden bei Paspelaufnahme rechts (Sakkofertigung) For use with picking up the piping on the right (for jackets)</p> <p>Bei Ausstattung mit Zuführung für Verstärkungsstreifen auch für NB 436; 437; 439; 441. When fitted with feeding equipment for backing straps also for NB 436; 437; 439; 441.</p> | | |
| 745-5-21 22 23 24 | | | | | | | | | | | | A3 | | | |
| 745-7-21 22 23 24 | E12 | " | " | " | " | " | " | " | | N7 | " | " | | | |
| 745-15-21 22 23 24 | E22 | " | " | " | " | " | " | " | | N11 | S48 | " | | | |
| 745-5-10 11 12 13 | E3 | 10 | 9,5 | 1,5 | 45 | 100 | | | K4 K14 | N1 | S2 | - | | | |
| 745-15-11 12 13 14 | E23 | " | " | " | " | " | " | " | | N9 | " | " | <p>Tascheneingriffe links paspeliert nach NB 335; 447; 449; 451; 453; 454. Pocket openings, piped on the l/h side according to NB 335; 447; 449; 451; 453; 454.</p> <p>Bei Ausstattung mit Zuführung auch für NB 448; 450. When fitted with feeding equipment also for NB 448; 450.</p> | | |

1) Die Paspelbreite ergibt sich aus a bzw. b + Paspelstreifenstärke.

The piping width results from a and b + piping strip thickness.

2) Stoffdurchgang = Engste Stelle am Faltstempel zur Führung des Nähgutes.

Cloth passage = Narrowest point at the folder for guiding the work.

3) Je nach NB ist die Breite des Greiffaltstempels u. des Faltstempels so bemessen, daß ein gut geschlossener Tascheneingriff genäht wird. Um dieses auch bei dünnerem Nähgut oder beim Weglassen einer Patte zu erreichen, sind Stempel mit größerer Breite festgelegt worden, z.B. SM bei E3.

Depending on the NB the width of the catch and of the folder is such that a well closed pocket opening can be sewn. For ensuring this also with thin material or when omitting a flap, there are wider equipments, e.g. SM for E3.



| Unterklasse Sub-class | Einrichtung Equipment | Nahtabstand in mm Seam distance, mm NA | 1) Faltstempelmaß Folder size | | max. Paspelstreifenbreite in mm Max piping strip width, mm | max. Nählänge in mm Max seam length, mm | 2) Stoffdurchgang Cloth passage | Einrichtung besteht aus Equipment consisting of | | | | Aufgaben Preparation table | Beschreibung Description |
|-----------------------------|--------------------------|----------------------------------------------|-------------------------------------|-----|---------------------------------------------------------------|--------------------------------------------|---------------------------------------|----------------------------------------------------|------------------------------------|----------------------|----------|----------------------------------------------------------------------------------------------------------------------------------------------------------------------------------------------------------------------------------------------------------------------------------------------------------------------------------------------------------------------------------------------------------------------------------------------------------------------------------------------------------|-----------------------------|
| | | | a | b | | | | Klammern Clamps | Näheinrichtung Sewing equipment | Faltstempel Stamp | | | |
| 745-4-21 22 23 24 | | | | | | | rechts right 5 | | | | | | |
| 745-5-21 22 23 24 | E14 | 16 | 6,5 | 6,5 | 88 | 180 | - | K9 K13 | N4 | S24 | AT A3 | <p>Tascheneingriffe beidseitig paspeliert nach NB 333; 429; 435; 438; 440; 442; 444. Pocket openings, piped at either side according to NB 333; 429; 435; 438; 440; 442; 444; Zu verwenden bei Paspelaufnahme rechts (Sakkofertigung) For use with picking up the piping on the right (for jackets) Bei Ausstattung mit Zuführung für Verstärkungsstreifen auch für NB 436; 437; 439; 441. When fitted with feeding equipment for backing straps also for NB 436; 437; 439; 441.</p> | |
| 745-7-21 22 23 24 | E114 | " | " | " | " | " | " | " | N8 | " | " | | |
| 745-15-21 22 23 24 | E214 | " | " | " | " | " | " | " | N12 | S49 | " | | |
| 745-4-21 22 23 24 | | | | | | | rechts right 3,5 | | | | | | |
| 745-5-21 22 23 24 | E15 | 10 | 6,5 | 1,5 | 70 | 180 | - | K2 K12 | N1 | S25 | AT A3 | <p>Tascheneingriffe einseitig links oder doppelseitig asymmetrisch paspeliert nach NB 333; 335; 429; 430; 435; 438; 440; 442; 443; 444; 451; 452; 453; 454. Pocket openings, piped on the left or on either side asymmetrically according to NB 333; 335; 429; 430; 435; 438; 440; 442; 443; 444; 451; 452; 453; 454.</p> | |
| 745-15-21 22 23 24 | E215 | " | " | " | " | " | " | " | N9 | S55 | " | | |

1) Die Paspelbreite ergibt sich aus a bzw. b + Paspelstreifenstärke.

The piping width results from a and b + piping strip thickness.

2) Stoffdurchgang = Engste Stelle am Faltstempel zur Führung des Nähgutes.

Cloth passage = Narrowest point at the folder for guiding the work.

3) Je nach NB ist die Breite des Greiffaltstempels u. des Faltstempels so bemessen, daß ein gut geschlossener Tascheneingriff gewahrt wird. Um dieses auch bei dünnerem Nähgut oder beim Weglassen einer Patte zu erreichen, sind Stempel mit größerer Breite festgelegt worden, z.B. S16 bei E3. Depending on the NB the width of the catch and of the folder is such that a well closed pocket opening can be sewn. For ensuring this also with thin material or when omitting a flap, there are wider equipments, e.g. S16 for E3.



| Unterklasse Sub-class | Einrichtung Equipment | Nahtabstand in mm Seam distance, mm NA | 1) Faltsiempelmaß Folder size | | max. Paspelstreifenbreite in mm Max piping strip width, mm | max. Nählänge in mm Max seam length, mm | 2) Stoffdurchgang Cloth passage | | Einrichtung besteht aus Equipment consisting of | Überstand max. 20 mm Max. projection 20 mm | | Beschreibung Description | |
|--------------------------------------------|--------------------------|----------------------------------------------|-------------------------------------|------------------------------------|---------------------------------------------------------------|--------------------------------------------|---------------------------------------|--------------------------------------------------|----------------------------------------------------|--------------------------------------------------|-----|-----------------------------|------------------------------------------------------------------------------------------------------------------------------------------------------------------------------------------------------------------------------------------------------------------------------------------------------------------------------------------------------------------------------------------------------------------------------------------------------------------------------------------------------------------------------------------------------|
| | | | Klammern Clamps | Näheinrichtung Sewing equipment | | | Faltstempel Stamp | Auflagen Preparation table | | | | | |
| 745-4 { 21 22 745-5 { 23 24 | | | | | | | | | | | | | |
| 745-7-21 22 23 24 | E116 | 12 | 4,5 | 4,5 | | 125 | | rechts right 3 links left 4,5 | K5 | N6 | S34 | - | <p>Brustleiste Breast welt</p> <p>Taschenbeutel Pocket bag</p> <p>Tascheneingriffe nach NB 346, speziell für Brustleisten in Sakkos. Pocket openings according to NB 346, specially for breast welts in jackets.</p> |
| 745-15-21 22 23 24 | | | | | | | | | | | | | |
| 745-4 { 21 22 745-5 { 23 24 | E17 | 20 | 8,5 | 8,5 | 100 | 180 | | rechts right 7 links left 8,5 | K3 K13 | N13 | S35 | A3 | <p>Tascheneingriffe beidseitig paspeliert nach NB 333; 429; 435; 438; 440; 442; 444. Pocket openings, piped at either side according to NB 333; 429; 435; 438; 440; 442; 444. Zu verwenden bei Paspelaufnahme rechts (Sakkofertigung) For use with picking up the piping on the right (for jackets) Bei Ausstattung mit Zuführung für Verstärkungsstreifen auch für NB 436; 437; 439; 441. When fitted with feeding equipment for backing straps also for NB 436; 437; 439; 441.</p> |
| 745-7-21 22 23 24 | E117 | " | " | " | " | " | " | " | " | N14 | " | " | |
| 745-15-21 22 23 24 | E217 | " | " | " | " | " | " | " | " | N15 | S50 | " | |

1) Die Paspelbreite ergibt sich aus a bzw. b + Paspelstreifenstärke.
The piping width results from a and b + piping strip thickness.

2) Stoffdurchgang = Engste Stelle am Faltsiempel zur Führung des Nähgutes.
Cloth passage = Narrowest point at the folder for guiding the work.

3) Je nach NB ist die Breite des Greiffaltstempels u. des Faltsiempels so bemessen, daß ein gut geschlossener Tascheneingriff genäht wird. Um dieses auch bei dünnerem Nähgut oder beim Weglassen einer Patte zu erreichen, sind Stempel mit größerer Breite festgelegt worden, z.B. S16 bei E3.
Depending on the NB the width of the catch and of the folder is such that a well closed pocket opening can be sewn. For ensuring this also with thin material or when omitting a flap, there are wider equipments, e.g. S16 for E3.



| Unterklasse Sub-class | Einrichtung Equipment | Nahabstand in mm Seam distance, mm | 1) Faltstempelmaß Folder size | | max. Paspelstreifenbreite in mm Max piping strip width, mm | max. Nählänge in mm Max seam length, mm | 2) Stoffdurchgang Cloth passage | Einrichtung besteht aus Equipment consisting of | | | | Überstand max. 20 mm Max. projection 20 mm | | Beschreibung Description |
|--------------------------------|--------------------------|---------------------------------------|-------------------------------------|-----|---------------------------------------------------------------|--------------------------------------------|---------------------------------------|----------------------------------------------------|------------------------------------|----------------------|-------------------------------|-------------------------------------------------------------------------------------------------------------------------------------------------------------------------|----------------------------------------------------------------------------------------------------------------------------------------------------------------|-----------------------------|
| | | | a | b | | | | Klammern Clamps | Näheinrichtung Sewing equipment | Faltstempel Stamp | Auflagen Preparation table | | | |
| 745-4-21 -22 -23 -24 | E18 | 10 | 8,5 | 1,5 | 47 | 180 | rechts right 3,5 | K3 | N1 | S29 | A2 | | | |
| links left 2 | | | K13 | | | | | | | | | | | |
| 745-5-21 -22 -23 -24 | | | 9,5 | 1,5 | 49 | " | " | | | ³⁾ S19 | | Tascheneingriffe links paspeliert nach NB 335;447;449;451;452;453;454. Pocket openings, piped on the l/h side according to NB 335;447;449;451;452;453; 454. | | |
| 745-7-21 -22 -23 -24 | E118 | " | 8,5 | 1,5 | 47 | " | " | K3 | N5 | S29 | A2 | | Zu verwenden bei Paspelaufnahme links (Futterinnentaschen) For use with picking up the piping on the left. (lining inside pockets) | |
| | | | | | 9,5 | 1,5 | 49 | " | " | | ³⁾ S19 | | | |
| 745-15-21 -22 -23 -24 | E218 | " | 8,5 | 1,5 | 47 | " | " | K3 | N9 | S43 | A2 | | Bei Ausstattung mit Zuführung für Verstärkungsstreifen auch für NB 448;450 When fitted with feeding equipment for backing straps also for NB 448;450. | |
| | | | | | 9,5 | 1,5 | 49 | " | " | | ³⁾ S51 | | | |
| 745-4-21 -22 -23 -24 | E19 | 12 | 10,5 | 2,5 | 52 | 180 | rechts right 4,5 | K3 | N2 | S33 | A2 | | | |
| links left 3 | | | K13 | | | | | | | | | | | |
| 745-5-21 -22 -23 -24 | | | 11 | 2,5 | 53 | " | " | | | ³⁾ S23 | | Tascheneingriffe links paspeliert nach NB 335;447;449;451;452;453;454. Pocket openings, piped on the l/h side according to NB 335;447;449;451;452;453; 454. | | |
| 745-7-21 -22 -23 -24 | E119 | " | 10,5 | 2,5 | 52 | " | " | K3 | N6 | S33 | A2 | | Zu verwenden bei Paspelaufnahme links (Futterinnentaschen) For use with picking up the piping on the left. (lining inside pockets) | |
| | | | | | 11 | 2,5 | 53 | " | " | | ³⁾ S23 | | | |
| 745-15-21 -22 -23 -24 | E219 | " | 10,5 | 2,5 | 52 | " | " | K3 | N10 | S47 | A2 | | Bei Ausstattung mit Zuführung für Verstärkungsstreifen auch für NB 448;450 When fitted with feeding equipment for backing straps also for NB 448;450. | |
| | | | | | 11 | 2,5 | 53 | " | " | | ³⁾ S52 | | | |

1) Die Paspelbreite ergibt sich aus a bzw. b + Paspelstreifenstärke.

The piping width results from a and b + piping strip thickness.

2) Stoffdurchgang = Engste Stelle am Faltstempel zur Führung des Nähgutes.

Cloth passage = Narrowest point at the folder for guiding the work.

3) Je nach NB ist die Breite des Greiffaltstempels u. des Faltstempels so bemessen, daß ein gut geschlossener Tascheneingriff genäht wird. Um dieses auch bei dünnerem Nähgut oder beim Weglassen einer Patte zu erreichen, sind Stempel mit größerer Breite festgelegt worden, z.B. S16 bei E3.

Depending on the NB the width of the catch and of the folder is such that a well closed pocket opening can be sewn. For ensuring this also with thin material or when omitting a flap, there are wider equipments, e.g. S16 for E3.



| Unterklasse Sub-class | Einrichtung Equipment | Nahtabstand in mm Seam distance, mm | Faltstempelmaß Folder size | | max. Paspelstreifenbreite in mm Max piping strip width, mm | max. Nählänge in mm Max seam length, mm | Stoffdurchgang Cloth passage | Einrichtung besteht aus Equipment consisting of | | | | Überstand max. 20 mm Max. projection 20 mm | | Beschreibung Description |
|--------------------------------|--------------------------|----------------------------------------|-------------------------------|-----|---------------------------------------------------------------|--------------------------------------------|----------------------------------------------|----------------------------------------------------|---------------------------------|----------------------|-------------------------------|--------------------------------------------------|------------------------------------------------------------------------------------------------------------------------------------------------------------------------------------------------------------------------------------------------------------------------------------------------|-----------------------------|
| | | | a | b | | | | Klammern Clamps | Nährichtung Sewing equipment | Faltstempel Stamp | Auflagen Preparation table | | | |
| 745-4-21 -22 -23 -24 | E20 | 10 | 4 | 4 | 72 | 180 | rechts right 3,5 links left 2 | K3 K13 | N1 | S27 | A3 | | <p>Tascheneingriffe beidseitig paspeliert nach NB 333;429;430;435;438;440;442;444;445.</p> <p>Pocket openings, piped at either side according to NB 333;429;430;435;438;440;442;444;445.</p> <p>Zu verwenden bei Paspelaufnahme links (Futterinnentaschen) (for lining inside pockets)</p> | |
| 745-5-21 -22 -23 -24 | | | 4,5 | 4,5 | 74 | " | " | | | S17 ³⁾ | | | | |
| 745-7-21 -22 -23 -24 | E120 | " | 4 | 4 | 72 | " | " | K3 K13 | N5 | S27 | A3 | | <p>Zu verwenden bei Paspelaufnahme links (Futterinnentaschen) (for lining inside pockets)</p> <p>Bei Ausstattung mit Zuführung für Verstärkungsstreifen auch für NB 436;437;439;441. When fitted with feeding equipment for backing straps also for NB 436;437;439;441</p> | |
| | | | 4,5 | 4,5 | 74 | " | " | | | S17 ³⁾ | | | | |
| 745-15-21 -22 -23 -24 | E220 | " | 4 | 4 | 72 | " | " | K3 K13 | N9 | S41 | A3 | | <p>Bei Ausstattung mit Zuführung für Verstärkungsstreifen auch für NB 436;437;439;441. When fitted with feeding equipment for backing straps also for NB 436;437;439;441</p> | |
| | | | 4,5 | 4,5 | 74 | " | " | | | S53 ³⁾ | | | | |
| 745-4-21 -22 -23 -24 | E21 | 12 | 5 | 5 | 78 | 180 | rechts right 4,5 links left 3 | K3 K13 | N2 | S31 | A3 | | <p>Tascheneingriffe beidseitig paspeliert nach NB 333;429;430;435;438;440;442;444;445.</p> <p>Pocket openings, piped at either side according to NB 333;429;430;435;438;440;442;444;445.</p> <p>Zu verwenden bei Paspelaufnahme links (Futterinnentaschen) (for lining inside pockets)</p> | |
| 745-5-21 -22 -23 -24 | | | 5,5 | 5,5 | 80 | " | " | | | S21 ³⁾ | | | | |
| 745-7-21 -22 -23 -24 | E121 | " | 5 | 5 | 78 | " | " | K3 K13 | N6 | S31 | A3 | | <p>Zu verwenden bei Paspelaufnahme links (Futterinnentaschen) (for lining inside pockets)</p> <p>Bei Ausstattung mit Zuführung für Verstärkungsstreifen auch für NB 436;437;439;441. When fitted with feeding equipment for backing straps also for NB 436;437;439;441</p> | |
| | | | 5,5 | 5,5 | 80 | " | " | | | S21 ³⁾ | | | | |
| 745-15-21 -22 -23 -24 | E221 | " | 5 | 5 | 78 | " | " | K3 K13 | N10 | S45 | A3 | | <p>Bei Ausstattung mit Zuführung für Verstärkungsstreifen auch für NB 436;437;439;441. When fitted with feeding equipment for backing straps also for NB 436;437;439;441</p> | |
| | | | 5,5 | 5,5 | 80 | " | " | | | S54 ³⁾ | | | | |

1) Die Paspelbreite ergibt sich aus a bzw. b + Paspelstreifenstärke.

The piping width results from a and b + piping strip thickness.

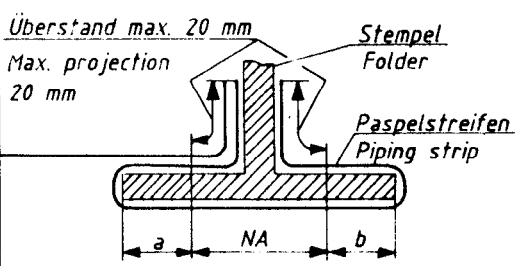


2) Stoffdurchgang = Engste Stelle am Faltstempel zur Führung des Nähgutes.

Cloth passage = Narrowest point at the folder for guiding the work.

3) Je nach NB ist die Breite des Greiffaltstempels u. des Faltstempels so bemessen, daß ein gut geschlossener Tascheneingriff genäht wird. Um dieses auch bei dünnerem Nähgut oder beim Weglassen einer Patte zu erreichen, sind Stempel mit größerer Breite festgelegt worden, z.B. S16 bei E3.

Depending on the NB the width of the catch and of the folder is such that a well closed pocket opening can be sewn. For ensuring this also with thin material or when omitting a flap, there are wider equipments, e.g. S16 for E3.



| Unterklasse Sub-class | Einrichtung Equipment | Nahtabstand in mm Seam distance, mm | 1) Faltempelmaß Folder size | | max. Paspelstreifenbreite in mm Max piping strip width, mm | max. Nählänge in mm Max seam length, mm | 2) Stoffdurchgang Cloth passage | Einrichtung besteht aus Equipment consisting of | | | | Auflagen Preparation table | Beschreibung Description |
|-------------------------------|--------------------------|----------------------------------------|-----------------------------------|------|---------------------------------------------------------------|--------------------------------------------|----------------------------------------------|----------------------------------------------------|--------------------|------------------------------------|----------------------|---------------------------------------------------------------------------------------------------------------------------------------------------------------------------------------------------------------------------------------------------------------------------------------------------------------------------------------------------------------------------------------------------------------------------------------------------------------------------------------------------------------------------------------------------------------|------------------------------------------------------------------------------------|
| | | | NA | a | | | | b | Klammern Clamps | Näheinrichtung Sewing equipment | Faltstempel Stamp | | |
| | | | | | | | | | | | | |  |
| 745-7-21 -22 -23 -24 | E122 | 12 | 5 | 5 | 78 | 220 | rechts right 3 links left 4,5 | K6 K16 | N6 | S30 | A4 |  <p>Tascheneingriffe beidseitig paspeliert nach NB 333;429;430;435;438;440;442;444;445; Pocket openings, piped at either side according to NB 333;429;430;435;438;440;442;444;445. Zu verwenden bei Paspelaufnahme rechts. For use with picking up the piping on the right. Bei Ausstattung mit Zuführung für Verstärkungsstreifen auch für NB 436;437;439;441. When fitted with feeding equipment for backing straps also for Nb 436;437;439;441.</p> | |
| 745-7-21 -22 -23 -24 | E123 | 12 | 2,5 | 10,5 | 52 | 220 | rechts right 3 links left 4,5 | K6 K16 | N6 | S32 | A4 |  <p>Tascheneingriffe rechts paspeliert nach NB 431;455. Pocket openings, piped on the r/h side according to NB 431;455. Zu verwenden bei Paspelaufnahme rechts. For use with picking up the piping on the right.</p> | |

1) Die Paspelbreite ergibt sich aus a bzw. b + Paspelstreifenstärke.

The piping width results from a and b + piping strip thickness.

2) Stoffdurchgang = Engste Stelle am Faltempel zur Führung des Nähgutes.

Cloth passage = Narrowest point at the folder for guiding the work.

3) Je nach NB ist die Breite des Greiffaltstempels u. des Faltempels so bemessen, daß ein gut geschlossener Tascheneingriff genäht wird. Um dieses auch bei dünnerem Nähgut oder beim Weglassen einer Patte zu erreichen, sind Stempel mit größerer Breite festgelegt worden, z.B. S16 bei E3.

Depending on the NB the width of the catch and of the folder is such that a well closed pocket opening can be sewn. For ensuring this also with thin material or when omitting a flap, there are wider equipments, e.g. S16 for E3.



| Unterklasse Sub-class | Einrichtung Equipment | Nahtabstand in mm Seam distance, mm NA | 1) Falstempelmaß Folder size | | max. Paspelstreifenbreite in mm Max piping strip width, mm | max. Nählänge in mm Max seam length, mm | 2) Stoffdurchgang Cloth passage | | Einrichtung besteht aus Equipment consisting of | | | | Aufgaben Preparation table | Beschreibung Description |
|-------------------------------|--------------------------|----------------------------------------------|------------------------------------|-----|---------------------------------------------------------------|--------------------------------------------|----------------------------------------------|------------------------------------|----------------------------------------------------|-----|----|-------------------------------------------------------------------------------------------------------------------------------------------------------------------------------------------------------------------------------------------------------------------------------------------------------------------------------------------------------------------------------------------------------------------------------------------------------------------------|-------------------------------|-----------------------------|
| | | | a | b | | | Klammern Clamps | Näheinrichtung Sewing equipment | Falstempel Stamp | | | | | |
| 745-7-21 -22 -23 -24 | E124 | 14 | 5,5 | 5,5 | 82 | 220 | rechts right 4 links left 5,5 | K6 K16 | N7 | S13 | A4 | <p>Tascheneingriffe beidseitig paspeliert nach NB 333;429;430;435;438;440;442;444;445 Pocket openings, piped at either side according to NB 333;429;430;435;438;440;442;444;445 Zu verwenden bei Paspelaufnahme rechts. For use with picking up the piping on the right. Bei Ausstattung mit Zuführung für Verstärkungsstreifen auch für NB 436; 437;439;441 When fitted with feeding equipment for backing straps also for NB 436; 437;439;441</p> | | |
| 745-7-21 -22 -23 -24 | E125 | 16 | 6,5 | 6,5 | 88 | 220 | rechts right 5 links left 6,5 | K6 K16 | N8 | S24 | A4 | <p>Tascheneingriffe beidseitig paspeliert nach NB 333;429;430;435;438;440;442;444;445 Pocket openings, piped at either side according to NB 333;429;430;435;438;440;442;444;445 Zu verwenden bei Paspelaufnahme rechts. For use with picking up the piping on the right. Bei Ausstattung mit Zuführung für Verstärkungsstreifen auch für NB 436; 437;439;441 When fitted with feeding equipment for backing straps also for NB 436; 437;439;441</p> | | |

1) Die Paspelbreite ergibt sich aus a bzw. b + Paspelstreifenstärke.
The piping width results from a and b + piping strip thickness.

3) Je nach NB ist die Breite des Greiffaltstempels u. des Falstempels so bemessen, daß ein gut geschlossener Tascheneingriff gewirkt wird. Um dieses auch bei dünnerem Nähgut oder beim Weglassen einer Patte zu erreichen, sind Stempel mit größerer Breite festgelegt worden, z.B. S16 bei E3.
Depending on the NB the width of the catch and of the folder is such that a well closed pocket opening can be sewn. For ensuring this also with thin material or when omitting a flap, there are wider equipments, e.g. S16 for E3.

2) Stoffdurchgang = Engste Stelle am Falstempel zur Führung des Nähgutes.
Cloth passage = Narrowest point at the folder for guiding the work.



| Unterklasse Sub-class | Einrichtung Equipment | 1) | | | 2) | | | Einrichtung besteht aus Equipment consisting of | | | | Beschreibung Description |
|----------------------------------------------------------------|--------------------------|----------------------------------------|-------------------------------|---------------------------------------------------------------|--------------------------------------------|---------------------------------|----------------------------------------------|----------------------------------------------------|----------------------|-------------------------------|----|---------------------------------------------------------------------------------------------------------------------------------------------------------------------------------------------------------------------------------------------------------------------------------------------------------------------------------------------------------------------------------------------------------------------------------------------------------------------------|
| | | Nahtabstand in mm Seam distance, mm | Faltstempelmaß Folder size | max. Paspelstreifenbreite in mm Max piping strip width, mm | max. Nählänge in mm Max seam length, mm | Stoffdurchgang Cloth passage | Klammern Clamps | Nährichtung Sewing equipment | Faltstempel Stamp | Auflagen Preparation table | | |
| | | NA | a | b | | | | | | | | |
| | | | | | | | | | | | | |
| 745-7-21 -22 -23 -24 | E126 | 20 | 8,5 | 8,5 | 100 | 220 | rechts right 7 links left 8,5 | K6 K16 | N14 | S35 | A4 | <p>Tascheneingriffe beidseitig paspeliert nach NB 333;429;430;435;438;440;442; 444;445 Pocket openings, piped at either side according to NB 333;429;430;435;438;440; 442;444;445 Zu verwenden bei Paspelaufnahme rechts. For use with picking up the piping on the right. Bei Ausstattung mit Zuführung für Verstärkungsstreifen auch für NB 436; 437;439;441 When fitted with feeding equipment for backing straps also for NB 436; 437;439;441</p> |
| 745-4-21 -22 -23 -24 745-5-21 -22 -23 -24 | E27 | 14 | 3 | 12 | 55 | 180 | rechts right 4 links left 5,5 | K3 K13 | N3 | S37 | A2 | |
| 745-7-21 -22 -23 -24 | E127 | " | " | " | " | " | " | " | N7 | " | " | <p>Tascheneingriffe rechts paspeliert nach NB 431; 455. Pocket openings, piped on the r/h side according to NB 431; 455. Zu verwenden bei Paspelaufnahme rechts. For use with picking up the piping on the right.</p> |
| 745-15-21 -22 -23 -24 | E227 | " | " | " | " | " | " | " | N11 | S56 | " | |

1) Die Paspelbreite ergibt sich aus a bzw. b + Paspelstreifenstärke.

The piping width results from a and b + piping strip thickness.

2) Stoffdurchgang = Engste Stelle am Fallstempel zur Führung des Nähgutes.

Cloth passage = Narrowest point at the folder for guiding the work.

3) Je nach NB ist die Breite des Greiffaltstempels u. des Fallstempels ~~er~~ bemessen, daß ein gut geschlossener Tascheneingriff ~~genäht~~ wird. Um dieses auch bei dünnerem Nähgut oder beim Weglassen einer Patte zu erreichen, sind Stempel mit größerer Breite festgelegt worden, z.B. S16 bei E3.

Depending on the NB the width of the catch and of the folder is such that a well closed pocket opening can be sewn. For ensuring this also with thin material or when omitting a flap, there are wider equipments, e.g. S16 for E3.



| Unterklasse Sub-class | Einrichtung Equipment | Nahtabstand in mm Seam distance, mm NA | 1) Folder size | | max. Paspelstreifenbreite in mm Max piping strip width, mm | max. Nählänge in mm Max seam length, mm | 2) Stoffdurchgang Cloth passage | Einrichtung besteht aus Equipment consisting of | | | | Überstand max. 20 mm Max. projection 20 mm | | Beschreibung Description |
|----------------------------------------------------------------|--------------------------|----------------------------------------------|-------------------|----|---------------------------------------------------------------|--------------------------------------------|----------------------------------------------|----------------------------------------------------|---------------------------------|----------------------|-------------------------------|---------------------------------------------------------------------------------------------------------------------------------------------------------------------------------------------------------------------------------------------------------------------------------------------------------------------------------------------------------------------------------------------------------------------------------------------------------------------------------------|--|-----------------------------|
| | | | a | b | | | | Klammern Clamps | Nährichtung Sewing equipment | Faltstempel Stamp | Auflagen Preparation table | | | |
| 745-4-21 -22 -23 -24 745-5-21 -22 -23 -24 | E28 | 14 | 12 | 3 | 55 | 180 | rechts right 4 links left 5,5 | K3 K13 | N3 | S36 | A2 | <p>Tascheneingriffe links paspeliert nach NB 335; 447; 449; 451; 452; 453; 454. Pocket openings, piped on the l/h side according to NB 335; 447; 449; 451; 452; 453; 454. Zu verwenden bei Paspelaufnahme links. For use with picking up the piping on the left. Bei Ausstattung mit Zuführung für Verstärkungsstreifen auch für NB 448; 450. When fitted with feeding equipment for backing straps also for NB 448; 450.</p> | | |
| 745-7-21 -22 -23 -24 | E128 | " | " | " | " | " | " | " | N7 | " | " | | | |
| 745-15-21 -22 -23 -24 | E228 | " | " | " | " | " | " | " | N11 | S57 | " | | | |
| 745-4-21 -22 -23 -24 745-5-21 -22 -23 -24 | E29 | 16 | 4,5 | 14 | 60 | 180 | rechts right 5 links left 6,5 | K3 K13 | N4 | S39 | A2 | <p>Tascheneingriffe rechts paspeliert nach NB 431; 455. Pocket openings, piped on the r/h side according to NB 431; 455. Zu verwenden bei Paspelaufnahme rechts. For use with picking up the piping on the right.</p> | | |
| 745-7-21 -22 -23 -24 | E129 | " | " | " | " | " | " | " | N8 | " | " | | | |
| 745-15-21 -22 -23 -24 | E229 | " | " | " | " | " | " | " | N12 | S58 | " | | | |

1) Die Paspelbreite ergibt sich aus a bzw. b + Paspelstreifenstärke.

The piping width results from a and b + piping strip thickness.

2) Stoffdurchgang = Engste Stelle am faltstempel zur Führung des Nähgutes.

Cloth passage = Narrowest point at the folder for guiding the work.

3) Je nach NB ist die Breite des Greiffaltstempels u. des faltstempels so bemessen, daß ein gut geschlossener Tascheneingriff genäht wird. Um dieses auch bei dünnerem Nähgut oder beim Weglassen einer Patte zu erreichen, sind Stempel mit größerer Breite festgelegt worden, z.B. S36 bei E3.

Depending on the NB the width of the catch and of the folder is such that a well closed pocket opening can be sewn. For ensuring this also with thin material or when omitting a flap, there are wider equipments, e.g. S36 for E3.



Einrichtungen der
Equipment of

Kl. 745

Blatt 17

Page 17

| Unterklasse Sub-class | Einrichtung Equipment | Nahtabstand in mm Seam distance, mm | 1) Faltstempelmaß Folder size | | max. Paspelstreifenbreite in mm Max piping strip width, mm | max. Nählänge in mm Max seam length, mm | 2) Stoffdurchgang Cloth passage | | Einrichtung besteht aus Equipment consisting of | Übersand max. 20 mm Max. projection 20 mm | | Beschreibung Description |
|--------------------------------|--------------------------|----------------------------------------|-------------------------------------|-----|---------------------------------------------------------------|--------------------------------------------|----------------------------------------------|--------------------|----------------------------------------------------|-------------------------------------------------|----|-------------------------------------------------------------------------------------------------------------------------------------------------------------------------------------------------------------------|
| | | | NA | a | | | b | Klammern Clamps | | | | |
| 745-4-21 -22 -23 -24 | E30 | 16 | 14 | 4,5 | 60 | 180 | | | | | | <p>Tascheneingriffe links paspeliert nach NB 335; 447; 449; 451; 452; 453; 454.</p> |
| 745-5-21 -22 -23 -24 | | | | | | | rechts right 5 links left 6,5 | K3 K13 | N4 | S38 | A2 | |
| 745-7-21 -22 -23 -24 | E130 | " | " | " | " | " | " | " | N8 | " | " | <p>Pocket openings, piped on the l/h side according to NB 335; 447; 449; 451; 452; 453; 454.</p> <p>Zu verwenden bei Paspelaufnahme links. For use with picking up the piping on the left.</p> |
| 745-15-21 -22 -23 -24 | E230 | " | " | " | " | " | " | " | N12 | S59 | " | <p>Bei Ausstattung mit Zuführung für Verstärkungsstreifen auch für NB 448; 450.</p> <p>When fitted with feeding equipment for backing straps also for NB 448; 450.</p> |
| | | | | | | | | | | | | <p>Tascheneingriffe links paspeliert nach NB 335; 447; 449; 451; 452; 453; 454</p> |
| 745-7-21 -22 -23 -24 | E131 | 20 | 18,5 | 6,5 | 70 | 220 | rechts right 7 links left 8,5 | K6 K16 | N14 | S60 | A4 | <p>Pocket openings, piped on the l/h side according to NB 335; 447; 449; 451; 452; 453; 454</p> <p>Zu verwenden bei Paspelaufnahme links. For use with picking up the piping on the left.</p> |

1) Die Paspelbreite ergibt sich aus a bzw. b + Paspelstreifenstärke.

The piping width results from a and b + piping strip thickness.

2) Stoffdurchgang = Engste Stelle am Faltstempel zur Führung des Nähgutes.

Cloth passage = Narrowest point at the folder for guiding the work.

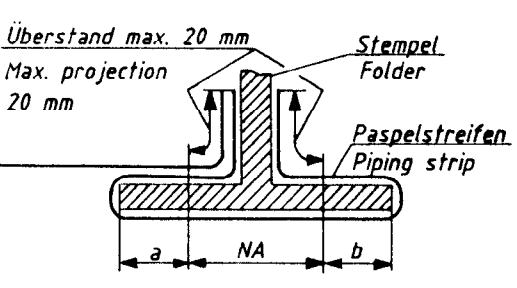
3) Je nach NB ist die Breite des Greiffaltstempels u. des Faltstempels so bemessen, daß ein gut geschlossener Tascheneingriff geätzt wird. Um dieses auch bei dünnerem Nähgut oder beim Weglassen einer Patte zu erreichen, sind Stempel mit größerer Breite festgelegt worden, z.B. S16 bei E3.

Depending on the NB the width of the catch and of the folder is such that a well closed pocket opening can be sewn. For ensuring this also with thin material or when omitting a flap, there are wider equipments, e.g. S16 for E3.

Fortsetzung

Blatt: 18



| Unterklasse Sub-class | Einrichtung Equipment | Nahtabstand in mm Seam distance, mm | 1) Falstempelmaß Folder size | | max. Paspelstreifenbreite in mm Max piping strip width, mm | max. Nählänge in mm Max seam length, mm | 2) Stoffdurchgang Cloth passage | Einrichtung besteht aus Equipment consisting of | Klammern Clamps | Nährichtung Sewing equipment | Falstempel Stamp | Auflagen Preparation table | Beschreibung Description |
|-------------------------------|--------------------------|----------------------------------------|------------------------------------|------|---------------------------------------------------------------|--------------------------------------------|----------------------------------------------|----------------------------------------------------|--------------------|---------------------------------|---------------------|-------------------------------|-----------------------------------------------------------------------------------------------------------------------------------------------------------------------------------------------------------------------------------------------------------------------------------------------------------------------|
| | | | a | b | | | | | | | | | |
| 745-7-21 -22 -23 -24 | E132 | 20 | 6,5 | 18,5 | 70 | 220 | rechts right 7 links left 8,5 | K6 | N14 | S61 | A4 | |  <p>Tascheneingriffe rechts paspeliert nach NB 431; 455 Pocket openings, piped on the r/h side according to NB 431; 455</p> <p>Zu verwenden bei Paspelaufnahme rechts. For use with picking up the piping on the right.</p> |

1) Die Paspelbreite ergibt sich aus a bzw. b + Paspelstreifenstärke.

The piping width results from a and b + piping strip thickness.

2) Stoffdurchgang = Engste Stelle am Falstempel zur Führung des Nähgutes.

Cloth passage = Narrowest point at the folder for guiding the work.

3) Je nach NB ist die Breite des Greiffaltstempels u. des Falstempels so bemessen, daß ein gut geschlossener Tascheneingriff genäht wird. Um dieses auch bei dünnerem Nähgut oder beim Weglassen einer Patte zu erreichen, sind Stempel mit größerer Breite festgelegt worden, z.B. S16 bei E3.

Depending on the NB the width of the catch and of the folder is such that a well closed pocket opening can be sewn. For ensuring this also with thin material or when omitting a flap, there are wider equipments, e.g. S16 for E3.



Einrichtungen der
Equipment of

Kl. 745

| Unterklasse Sub-class | Einrichtung Equipment | Nahtabstand in mm Seam distance, mm | 1) Faltstempelmaß Folder size | | max. Paspelstreifenbreite in mm Max piping strip width, mm | max. Nählänge in mm Max seam length, mm | 2) Stoffdurchgang Cloth passage | Klammern Clamps | Nährichtung Sewing equipment | Faltstempel Stamp | Auflagen Preparation table | Beschreibung Description |
|-------------------------------|--------------------------|----------------------------------------|-------------------------------------|---|---------------------------------------------------------------|--------------------------------------------|---------------------------------------|--------------------|---------------------------------|----------------------|-------------------------------|-------------------------------------------------------------------------------------------------------------------------------------------------------------------------------------------------------------------------------------------------------------------------------------------------------------------------------------------------------------------------------------------------------------------------------------------------------------------------------------------------------------------------------------------------------------------------------------------------------------------------------------------------------------------------------------------------------------------------------------------------------------------------------------------------------------------------------------|
| | | | a | b | | | | | | | | |
| 745-2-11 -12 -13 -14 | E301 | 10 | 4 | 4 | 70 | 180 | 2,5 | K11 | N16 | S62 | - | <p>Übersicht max. 20 mm Max. projection 20 mm</p> <p>Stempel Folder</p> <p>Paspelstreifen Piping strip</p> <p>NA</p> <p>a b</p> <p>Tascheneingriffe beidseitig paspeliert nach NB 333, 444 Pocket openings, piped at either side according to NB 333, 444</p> <p>Mit Verstärkungsstreifen zusätzlich: 794 2951 Bandzuführung 794 2971 Gleitblech</p> <p>With reinforcing tape additionally: 794 2951 tape feeder 794 2971 sliding sheet</p> <p>Mit Reißverschluss zusätzlich: 794 6501 Schere mit Abzugsgerät 793 25911 Führungstelle für Reißverschluss an S62, mit 20-24mm Bandbreite und 4mm Kettenbreite</p> <p>With zipper additionally: 794 6501 Scissors with pull-off device 793 25911 Guides for zipper on S62, with tape width 20-24mm and chain width 4mm</p> |
| 745-2-11 -12 -13 -14 | E302 | 12 | 5 | 5 | 76 | 180 | 3,5 | K11 | N17 | S63 | - | <p>Tascheneingriffe beidseitig paspeliert nach NB 333, 444 Pocket openings, piped at either side according to NB 333, 444</p> <p>Mit Verstärkungsstreifen zusätzlich: 794 2951 Bandzuführung 794 2972 Gleitblech</p> <p>With reinforcing tape additionally: 794 2951 tape feeder 794 2972 sliding sheet</p> <p>Mit Reißverschluss zusätzlich: 794 6501 Schere mit Abzugsgerät 793 25911 Führungstelle für Reißverschluss an S63, mit 20-24mm Bandbreite und 4mm Kettenbreite</p> <p>With zipper additionally: 794 6501 Scissors with pull-off device 793 25911 Guides for zipper on S63, with tape width 20-24mm and chain width 4mm</p> |

1) Die Paspelbreite ergibt sich aus a bzw. b + Paspelstreifenstärke.

The piping width results from a and b + piping strip thickness.

2) Stoffdurchgang = Engste Stelle am Faltstempel zur Führung des Nähgutes.

Cloth passage = Narrowest point at the folder for guiding the work.

3) Je nach NB ist die Breite des Greiffaltstempels u. des Faltstempels so bemessen, daß ein gut geschlossener Tascheneingriff gewirkt wird. Um dieses auch bei dünnerem Nähgut oder beim Weglassen einer Patte zu erreichen, sind Stempel mit größerer Breite festgelegt worden, z.B. S16 bei E3.

Depending on the NB the width of the catch and of the folder is such that a well closed pocket opening can be sewn. For ensuring this also with thin material or when omitting a flap, there are wider equipments, e.g. S16 for E3.



| Unterklasse Sub-class | Einrichtung Equipment | Nahabstand in mm Seam distance, mm | 1) Faltstempelmaß Folder size | | max. Paspelstreifenbreite in mm Max piping strip width, mm | max. Nählänge in mm Max seam length, mm | 2) Stoffdurchgang Cloth passage | | Einrichtung besteht aus Equipment consisting of | Aufgaben Preparation table | Beschreibung Description | |
|-------------------------------|--------------------------|---------------------------------------|-------------------------------------|---|---------------------------------------------------------------|--------------------------------------------|---------------------------------------|-------------------------------------|----------------------------------------------------|-------------------------------|-----------------------------|--------------------------------------------------------------------------------------------------------------------------------------------------------------------------------------------------------------------------------------------------------------------------------------------------------------------------------------------------------------------------------------------------------------------------------------------------------------------------------------------------------------------------------------------------------------------------------------------------------------------------------------------------------------------------------------------------------------------------------------------------------|
| | | | a | b | | | Klammern Clamps | Nähleinrichtung Sewing equipment | | | | Faltstempel Stamp |
| 745-2-11 -12 -13 -14 | E303 | 14 | 6 | 6 | 82 | 220 | 4,5 | K7 K17 | N18 | S64 | - | <p>Überstand max. 20 mm Max. projection 20 mm</p> <p>Tascheneingriffe beidseitig paspeliert nach NB 333, 444 Pocket openings, piped at either side according to NB 333, 444</p> <p>Mit Verstärkungsstreifen zusätzlich: 794 2951 Bandzuführung 794 2972 Gleitblech</p> <p>With reinforcing tape additionally: 794 2951 tape feeder 794 2972 sliding sheet</p> <p>Mit Reißverschluss zusätzlich: 794 6501 Schere mit Abzugsgerät 793 25981 Führungsfelle für Reißverschluss an S64, mit 28-32mm Bandbreite und 6mm Kettenbreite</p> <p>With zipper additionally: 794 6501 Scissors with pull-off device 793 25981 Guides for zipper on S64, with tape width 28-32mm and chain width 6mm</p> |
| 745-2-11 -12 -13 -14 | E304 | 12 | 5 | 5 | 45 | 180 | 3,5 | K8 K18 | N17 | S65 | - | <p>Tascheneingriffe beidseitig paspeliert mit mittig liegendem, einteiligem Taschenbeutel nach NB 416 Pocket openings, piped at either side, one-part pocket bag in the middle according to NB 416</p> <p>Mit Verstärkungsstreifen zusätzlich: 794 2951 Bandzuführung 794 2972 Gleitblech</p> <p>With reinforcing tape additionally: 794 2951 tape feeder 794 2972 sliding sheet</p> <p>Mit Reißverschluss zusätzlich: 794 6501 Schere mit Abzugsgerät 793 26021 Führungsfelle für Reißverschluss an S65, mit 17mm Bandbreite und 4mm Kettenbreite</p> <p>With zipper additionally: 794 6501 Scissors with pull-off device 793 26021 Guides for zipper on S65, with tape width 17mm and chain width 4mm</p> |

1) Die Paspelbreite ergibt sich aus a bzw. b + Paspelstreifenstärke.

The piping width results from a and b + piping strip thickness.

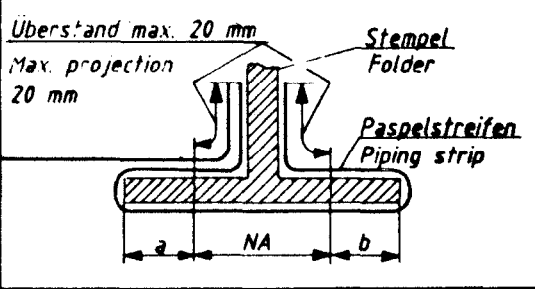
2) Stoffdurchgang = Engste Stelle am Faltstempel zur Führung des Nähgutes.

Cloth passage = Narrowest point at the folder for guiding the work.

3) Je nach NB ist die Breite des Greiffaltstempels u. des Faltstempels so bemessen, daß ein gut geschlossener Tascheneingriff geräht wird. Um dieses auch bei dünnerem Nähgut oder beim Weglassen einer Patte zu erreichen, sind Stempel mit größerer Breite festgelegt worden, z.B. S16 bei E3.

Depending on the NB the width of the catch and of the folder is such that a well closed pocket opening can be sewn. For ensuring this also with thin material or when omitting a flap, there are wider equipments, e.g. S16 for E3.



| Unterklasse Sub-class | Einrichtung Equipment | Nahtabstand in mm Seam distance, mm | 1) Faltpapiermaß Folder size | | max. Paspelstreifenbreite in mm Max piping strip width, mm | max. Nählänge in mm Max seam length, mm | 2) Stoffdurchgang Cloth passage | Einrichtung besteht aus Equipment consisting of | | | Aufgaben Preparation table | Beschreibung Description |
|-------------------------------|--------------------------|----------------------------------------|------------------------------------|----|---------------------------------------------------------------|--------------------------------------------|---------------------------------------------|----------------------------------------------------|---------------------------------|----------------------|-------------------------------|-----------------------------------------------------------------------------------------------------------------------------------------------------------------------------------------------------------------------------------------------------------------------------------------------------------------------------------------------------------------------------------------------------------------------------------------------------------------|
| | | | a | b | | | | Klammern Clamps | Nährichtung Sewing equipment | Faltstempel Stamp | | |
| 745-2-11 -12 -13 -14 | E305 | 10 | 8,5 | 15 | 47 | 180 | rechts right 35 links left 2 | K12 | N16 | S82 | — | <p>Tascheneingriffe links paspeliert nach NB 335,447,449,451,452,453,454</p> <p>Pocket openings ,piped on the l/h side according to NB 335,447,449,451,452,453,454</p>  <p>Mit Verstärkungsstreifen zusätzlich: 794 2951 Bandzuführung 794 2971 Gleitblech</p> <p>With reinforcing tape additionally: 794 2951 tape feeder 794 2971 sliding sheet</p> |
| 745-2-11 -12 -13 -14 | E306 | 12 | 10,5 | 25 | 52 | 180 | rechts right 45 links left 3 | K12 | N18 | S83 | — | <p>Tascheneingriffe links paspeliert nach NB 335,447,449,451,452,453,454</p> <p>Pocket openings ,piped on the l/h side according to NB 335,447,449,451,452,453,454</p> <p>Mit Verstärkungsstreifen zusätzlich: 794 2951 Bandzuführung 794 2972 Gleitblech</p> <p>With reinforcing tape additionally: 794 2951 tape feeder 794 2972 sliding sheet</p> |

1) Die Paspelbreite ergibt sich aus a bzw. b + Paspelstreifenstärke.
The piping width results from a and b + piping strip thickness.

2) Stoffdurchgang = Engste Stelle am Faltpapier zur Führung des Nähgutes.
Cloth passage = Narrowest point at the folder for guiding the work.

~~3) Je nach NB ist die Breite des Greiffaltstempels u. des Faltpapiers zu bemessen, daß ein gut geschlossener Tascheneingriff geätzt wird. Um dieses auch bei dünnerem Nähgut oder beim Weglassen einer Patte zu erreichen, sind Stempel mit größerer Breite festgelegt worden, z.B. S16 bei E3.~~
Depending on the NB the width of the catch and of the folder is such that a well closed pocket opening can be sewn. For ensuring this also with thin material or when omitting a flap, there are wider equipments, e.g. S16 for E3



| K-Nr. K-No. | Teile-Nr. Part-No. | Benennung und Beschreibung Denomination and description |
|----------------|-----------------------|------------------------------------------------------------------------------------------------------------------------------------------------------------------------------------------------------------------------------------------------------------------------------------------------------------------------------------------|
| K1 | 792 8003 | Klammer, links kpl. mit Falblech, ohne Pattenklemme. Clamp, l/h compl. with folding plate, without flap clamp. |
| | 792 8103 | Klammer, rechts kpl. mit Falblech, ohne Pattenklemme. Clamp, r/h compl. with folding plate, without flap clamp. max. Nähtlänge 180mm Max. seam length 180mm Wird ersetzt durch K11. Replaced by K11 |
| K2 | 792 8003 | Klammer, links kpl. mit Falblech, ohne Pattenklemme. Clamp, l/h compl. with folding plate, without flap clamp. |
| | 792 8203 | Klammer, rechts kpl. mit Falblech, Pattenklemme, Pattenform- anschlag. Clamp, r/h compl. with folding plate, flap clamp, stop for flaps of special shape. Wird ersetzt durch K12 max. Nähtlänge 180mm Replaced by K12 Max. seam length 180mm |
| K3 | 792 8403 | Klammer, links kpl. mit Falblech und Pattenklemme. Clamp, l/h compl. with folding plate and flap clamp. |
| | 792 8503 | Klammer, rechts kpl. mit Falblech und Pattenklemme. Clamp, r/h compl. with folding plate and flap clamp. max. Nähtlänge 180mm Max. seam length 180mm Wird ersetzt durch K13 Replaced by K13 |
| K4 | 792 8003 | Klammer, links kpl. mit Falblech, ohne Pattenklemme. Clamp, l/h compl. with folding plate, without flap clamp. |
| | 792 8603 | Klammer, rechts kpl. ohne Falblech mit Pattenklemme und Anschlag zum Anlegen einer Knopfschlaufe. Clamp, r/h compl. without folding plate, with flap clamp and stop for positioning a button loop. Wird ersetzt durch K14 max. Nähtlänge 180mm Replaced by K14 Max. seam length 180mm |



| K-Nr. K-No. | Teile-Nr. Part-No. | Benennung und Beschreibung Denomination and description |
|----------------|-----------------------|---------------------------------------------------------------------------------------------------------------------------------------------------------------------------------------------------------------------------|
| K5 | 792 8803 | Klammer, links kpl. mit Pattenklemme und speziellen Anschlag für Brustleisten in Sakkos. Clamp, l/h compl. with flap clamp and special stop for breast welts in jackets. |
| | 792 8853 | Klammer, rechts kpl. Clamp, r/h compl. max. Nählänge 145 mm Max. seam length 145 mm |
| K6 | 792 8903 | Klammer, links kpl. mit Faltblech und Pattenklemme. Clamp, l/h compl. with folding plate and flap clamp. |
| | 792 9003 | Klammer, rechts kpl. mit Faltblech und Pattenklemme. Clamp, r/h compl. with folding plate and flap clamp. Wird ersetzt durch K16 Replaced by K16 max. Nählänge 220mm. Max. seam length 220mm. |
| K7 | 792 9103 | Klammer, links kpl. mit Faltblech, ohne Pattenklemme. Clamp, l/h compl. with folding plate, without flap clamp. |
| | 792 9107 | Klammer, rechts kpl. mit Faltblech, ohne Pattenklemme. Clamp, r/h compl. with folding plate, without flap clamp. Wird ersetzt durch K17 Replaced by K17 max. Nählänge 220mm Max. seam length 220mm |
| K8 | 792 8403 | Klammer, links kpl. mit Faltblech und Pattenklemme. Clamp, l/h compl. with folding plate and flap clamp. |
| | 792 9153 | Klammer, rechts kpl. mit Faltblech und Pattenklemme. Clamp, r/h compl. with folding plate and flap clamp. Wird ersetzt durch K18 Replaced by K18 max. Nählänge 180mm Max. seam length 180mm |



| K-Nr. K-No. | Teile-Nr. Part-No. | Benennung und Beschreibung Denomination and description | | | | | | | |
|----------------|-----------------------|--------------------------------------------------------------------------------------------------------------------------------------------------------------------------------------------------------------------------------------------------------------------|--|--|--|--|--|--|-------------------------|
| K11 | 792 10 003 | Klammer, links kpl. mit Faltblech, ohne Pattenklemme. Clamp, l/h compl. with folding plate, without flap clamp. | | | | | | | |
| | 792 10 153 | Klammer, rechts kpl. mit Faltblech, ohne Pattenklemme. Clamp, r/h compl. with folding plate, without flap clamp. max. Nählänge 180mm Max. seam length 180mm. | | | | | | | |
| K12 | 792 10 003 | Klammer, links kpl. mit Faltblech, ohne Pattenklemme. Clamp, l/h compl. with folding plate, without flap clamp. | | | | | | | |
| | 792 10 303 | Klammer, rechts kpl. mit Faltblech, Pattenklemme, Pattenform- anschlag. Clamp, r/h compl. with folding plate, flap clamp, stop for flaps of special shape max. Nählänge 180mm Max. seam length 180mm. | | | | | | | |
| K13 | 792 10 503 | Klammer, links kpl. mit Faltblech und Pattenklemme. Clamp, l/h compl. with folding plate and flap clamp. | | | | | | | |
| | 792 10 653 | Klammer, rechts kpl. mit Faltblech und Pattenklemme. Clamp, r/h compl. with folding plate and flap clamp. max. Nählänge 180mm Max. seam length 180mm. | | | | | | | |
| K14 | 792 10 003 | Klammer, links kpl. mit Faltblech, ohne Pattenklemme. Clamp, l/h compl. with folding plate, without flap clamp. | | | | | | | |
| | 792 10703 | Klammer, rechts kpl. ohne Faltblech mit Pattenklemme und Anschlag zum Anlegen einer Knopfschleufe. Clamp, r/h compl. without folding plate, with flap clamp and stop for positioning a button loop. max. Nählänge 180mm Max. seam length 180mm. | | | | | | | |
| | | | | | | | | | Fortsetzung Blatt 25 |

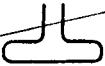
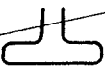
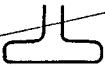





Einrichtungen der
Equipment of

Kl. 745

Blatt 26

Page 26

| S-Nr. S-No. | Teile-Nr. Part-No. | Unterklasse Sub-class | NA in mm NA/mm | Benennung und Beschreibung Denomination and description |
|----------------|------------------------|-------------------------------|-------------------------------------------------------------------------------------------|----------------------------------------------------------------------------------------------------------------------------------|
| S1 | 793 24503 793 25102 | 745-4-11 -12 -13 -14 | 10  | Faltstempel, vorn Folder, in front Faltstempel Folder Wird ersetzt durch S14 Replaced by S14 |
| S2 | 793 24513 793 25231 | 745-4-11 -12 -13 -14 | 12  | Faltstempel, vorn Folder, in front Faltstempel Folder Wird ersetzt durch S15 Replaced by S15 |
| S3 | 793 25002 793 25102 | 745-4-21 -22 -23 -24 | 10  | Greiffaltstempel Pick-up attachment and folder Faltstempel Folder Wird ersetzt durch S26 Replaced by S26 |
| S4 | 793 25002 793 25145 | 745-4-21 -22 -23 -24 | 10  | Greiffaltstempel Pick-up attachment and folder Faltstempel Folder Wird ersetzt durch S27 Replaced by S27 |
| S5 | 793 25153 793 25161 | 745-4-21 -22 -23 -24 | 10  | Greiffaltstempel Pick up attachment and folder Faltstempel Folder Wird ersetzt durch S28 Replaced by S28 |
| S6 | 793 25193 793 25201 | 745-4-21 -22 -23 -24 | 10  | Greiffaltstempel Pick up attachment and folder Faltstempel Folder Wird ersetzt durch S29 Replaced by S29 |

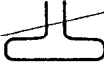






Einrichtungen der
Equipment of

Kl. 745

Blatt 27

Page 27

| S-Nr. S-No. | Teile-Nr. Part-No. | Unterklasse Sub-class | NA in mm NA/mm | Benennung und Beschreibung Denomination and description |
|----------------|----------------------------|--------------------------------|-------------------------------------------------------------------------------------------|--------------------------------------------------------------------------------------------------------------------------------------|
| S7 | 793 25223 793 25231 | 745-4-21 -22 -23 -24 | 12  | Greiffaltstempel Pick-up attachment and folder Faltstempel Folder Wird ersetzt durch S30 Replaced by S30 |
| S8 | 793 25223 793 25245 | 745-4-21 -22 -23 -24 | 12  | Greiffaltstempel Pick-up attachment and folder Faltstempel Folder Wird ersetzt durch S31 Replaced by S31 |
| S9 | 793 25263 793 25267 | 745-4-21 -22 -23 -24 | 12  | Greiffaltstempel Pick-up attachment and folder Faltstempel Folder Wird ersetzt durch S32 Replaced by S32 |
| S10 | 793 25273 793 25277 | 745-4-21 -22 -23 -24 | 12  | Greiffaltstempel Pick-up attachment and folder Faltstempel Folder Wird ersetzt durch S33 Replaced by S33 |
| S12 | 793 24523 793 24531 | 745-5 -11 -12 -13 -14 | 10  | Greiffaltstempel Pick up attachment and folder Faltstempel Folder |









Einrichtungen der
Equipment of

Kl. 745

Blatt 28

Page 28

| S-Nr. S-No. | Teile-Nr. Part-No. | Unterklasse Sub-class | NA in mm NA/mm | Benennung und Beschreibung Denomination and description |
|----------------|-----------------------|-------------------------------------------------|-------------------------------------------------------------------------------------------|------------------------------------------------------------|
| S13 | 793 25293 | 745-4 } -5 } -7 } 21 22 23 24 | 14  | Greiffaltstempel Pick up attachment and folder |
| | 793 25297 | | | Faltstempel Folder |
| S14 | 793 24543 | 745-5 } -12 } -13 } 14 | 10  | Greiffaltstempel Pick up attachment and folder |
| | 793 25307 | | | Faltstempel Folder |
| S15 | 793 24553 | 745-5 } -12 } -13 } 14 | 12  | Greiffaltstempel Pick up attachment and folder |
| | 793 25367 | | | Faltstempel Folder |
| S16 | 793 25303 | 745-4 } -5 } -7 } 21 22 23 24 | 10  | Greiffaltstempel Pick up attachment and folder |
| | 793 25307 | | | Faltstempel Folder |
| S17 | 793 25303 | 745-4 } -5 } -7 } 21 22 23 24 | 10  | Greiffaltstempel Pick up attachment and folder |
| | 793 25317 | | | Faltstempel Folder |
| S18 | 793 25333 | 745-4 } -5 } -7 } 21 22 23 24 | 10  | Greiffaltstempel Pick up attachment and folder |
| | 793 25337 | | | Faltstempel Folder |









Einrichtungen der
Equipment of

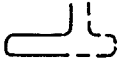





Kl. 745

Blatt 29

Page 29

| S-Nr. S-No. | Teile-Nr. Part-No. | Unterklasse Sub-class | NA in mm NA/mm | Benennung und Beschreibung Denomination and description |
|----------------|-----------------------|-------------------------------------------------|-------------------------------------------------------------------------------------------|------------------------------------------------------------|
| S19 | 793 25343 | 745-4 } -5 } -7 } 21 22 23 24 | 10  | Greiffaltstempel Pick up attachment and folder |
| | 793 24531 | | | Faltstempel Folder |
| S20 | 793 25363 | 745-4 } -5 } -7 } 21 22 23 24 | 12  | Greiffaltstempel Pick up attachment and folder |
| | 793 25367 | | | Faltstempel Folder |
| S21 | 793 25363 | 745-4 } -5 } -7 } 21 22 23 24 | 12  | Greiffaltstempel Pick up attachment and folder |
| | 793 25377 | | | Faltstempel Folder |
| S22 | 793 25393 | 745-4 } -5 } -7 } 21 22 23 24 | 12  | Greiffaltstempel Pick up attachment and folder |
| | 793 25397 | | | Faltstempel Folder |
| S23 | 793 25403 | 745-4 } -5 } -7 } 21 22 23 24 | 12  | Greiffaltstempel Pick up attachment and folder |
| | 793 25407 | | | Faltstempel Folder |
| S24 | 793 25413 | 745-4 } -5 } -7 } 21 22 23 24 | 16  | Greiffaltstempel Pick up attachment and folder |
| | 793 25417 | | | Faltstempel Folder |



| S-Nr. S-No. | Teile-Nr. Part-No. | Unterklasse Sub-class | NA in mm NA/mm | Benennung und Beschreibung Denomination and description |
|----------------|-----------------------|-----------------------------------|-------------------------------------------------------------------------------------------|------------------------------------------------------------|
| S25 | 793 25433 | 745-4 } -5 } -23 } -24 } | 10  | Greiffaltstempel Pick up attachment and folder |
| | 793 25437 | | | Faltstempel Folder |
| S26 | 793 25453 | 745-4 } -5 } -7 } -24 } | 10  | Greiffaltstempel Pick up attachment and folder |
| | 793 25457 | | | Faltstempel Folder |
| S27 | 793 25453 | 745-4 } -5 } -7 } -24 } | 10  | Greiffaltstempel Pick up attachment and folder |
| | 793 25467 | | | Faltstempel Folder |
| S28 | 793 25473 | 745-4 } -5 } -7 } -24 } | 10  | Greiffaltstempel Pick up attachment and folder |
| | 793 25477 | | | Faltstempel Folder |
| S29 | 793 25483 | 745-4 } -5 } -7 } -24 } | 10  | Greiffaltstempel Pick up attachment and folder |
| | 793 25487 | | | Faltstempel Folder |
| S30 | 793 25493 | 745-4 } -5 } -7 } -24 } | 12  | Greiffaltstempel Pick up attachment and folder |
| | 793 25497 | | | Faltstempel Folder |









Einrichtungen der
Equipment of

Kl. 745

Blatt 31

Page 31

| S-Nr S-No. | Teile-Nr Part-No | Unterklasse Sub-class | NA in mm NA/mm | Benennung und Beschreibung Denomination and description |
|---------------|------------------------|----------------------------------------|-------------------------------------------------------------------------------------------|--------------------------------------------------------------------------------|
| S31 | 793 25493 793 25507 | 745-4 } 21 -5 } 22 -7 } 23 24 | 12  | Greiffaltstempel Pick up attachment and folder Faltstempel Folder |
| S32 | 793 25513 793 25517 | 745-4 } 21 -5 } 22 -7 } 23 24 | 12  | Greiffaltstempel Pick up attachment and folder Faltstempel Folder |
| S33 | 793 25523 793 25527 | 745-4 } 21 -5 } 22 -7 } 23 24 | 12  | Greiffaltstempel Pick up attachment and folder Faltstempel Folder |
| S34 | — 793 25532 | 745-7 } -21 22 23 24 | 12  | Greiffaltstempel Pick up attachment and folder Faltstempel Folder |
| S35 | 793 25543 793 25547 | 745-4 } 21 -5 } 22 -7 } 23 24 | 20  | Greiffaltstempel Pick up attachment and folder Faltstempel Folder |
| S36 | 793 25553 793 25557 | 745-4 } 21 -5 } 22 -7 } 23 24 | 14  | Greiffaltstempel Pick up attachment and folder Faltstempel Folder |
| | | | | Fortsetzung Blatt: 32 |









Einrichtungen der
Equipment of

Kl. 745

Blatt 32

Page 32

| S-Nr. S-No. | Teile-Nr. Part-No. | Unterklasse Sub-class | NA in mm NA/mm | Benennung und Beschreibung Denomination and description |
|----------------|-----------------------|----------------------------------|-------------------------------------------------------------------------------------------|------------------------------------------------------------|
| S37 | 793 25563 | 745-4 } 21 -5 } 22 -7 } 23 | 14  | Greiffaltstempel Pick up attachment and folder |
| | 793 25567 | 24 | | Faltstempel Folder |
| S38 | 793 25573 | 745-4 } 21 -5 } 22 -7 } 23 | 16  | Greiffaltstempel Pick up attachment and folder |
| | 793 25577 | 24 | | Faltstempel Folder |
| S39 | 793 25583 | 745-4 } 21 -5 } 22 -7 } 23 | 16  | Greiffaltstempel Pick up attachment and folder |
| | 793 25587 | 24 | | Faltstempel Folder |
| S40 | 793 25453 | 745-15-21 -22 -23 | 10  | Greiffaltstempel Pick up attachment and folder |
| | 793 25593 | -24 | | Faltstempel Folder |
| S41 | 793 25453 | 745-15-21 -22 -23 | 10  | Greiffaltstempel Pick up attachment and folder |
| | 793 25613 | -24 | | Faltstempel Folder |
| S42 | 793 25473 | 745-15-21 -22 -23 | 10  | Greiffaltstempel Pick up attachment and folder |
| | 793 25623 | -24 | | Faltstempel Folder |

Fortsetzung
Blatt 33



Einrichtungen der
Equipment of

Kl. 745

Blatt 33

Page 33

| S-Nr. S-No. | Teile-Nr. Part-No. | Unterklasse Sub-class | NA in mm NA/mm | Benennung und Beschreibung Denomination and description |
|----------------|-----------------------|--------------------------|-------------------|------------------------------------------------------------|
| S43 | 793 25483 | 745-15-21 -22 -23 | 10 | Greiffaltstempel Pick up attachment and folder |
| | 793 25633 | -24 | | Faltstempel Folder |
| S44 | 793 25493 | 745-15-21 -22 -23 | 12 | Greiffaltstempel Pick up attachment and folder |
| | 793 25643 | -24 | | Faltstempel Folder |
| S45 | 793 25493 | 745-15-21 -22 -23 | 12 | Greiffaltstempel Pick up attachment and folder |
| | 793 25653 | -24 | | Faltstempel Folder |
| S46 | 793 25513 | 745-15-21 -22 -23 | 12 | Greiffaltstempel Pick up attachment and folder |
| | 793 25663 | -24 | | Faltstempel Folder |
| S47 | 793 25523 | 745-15-21 -22 -23 | 12 | Greiffaltstempel Pick up attachment and folder |
| | 793 25673 | -24 | | Faltstempel Folder |
| S48 | 793 25293 | 745-15-21 -22 -23 | 14 | Greiffaltstempel Pick up attachment and folder |
| | 793 25683 | -24 | | Faltstempel Folder |





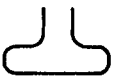



Einrichtungen der
Equipment of

Kl. 745

Blatt 34

Page 34

| S-Nr. S-No. | Teile-Nr. Part-No. | Unterklasse Sub-class | NA in mm NA/mm | Benennung und Beschreibung Denomination and description |
|----------------|-----------------------|--------------------------|-------------------------------------------------------------------------------------|------------------------------------------------------------|
| S49 | 793 25413 | 745-15-21 -22 -23 | 16 | Greiffaltstempel Pick up attachment and folder |
| | 793 25693 | -24 |  | Faltstempel Folder |
| S50 | 793 25543 | 745-15-21 -22 -23 | 20 | Greiffaltstempel Pick up attachment and folder |
| | 793 25703 | -24 |  | Faltstempel Folder |
| S51 | 793 25343 | 745-15-21 -22 -23 | 10 | Greiffaltstempel Pick up attachment and folder |
| | 793 25723 | -24 |  | Faltstempel Folder |
| S52 | 793 25403 | 745-15-21 -22 -23 | 12 | Greiffaltstempel Pick up attachment and folder |
| | 793 25733 | -24 |  | Faltstempel Folder |
| S53 | 793 25303 | 745-15-21 -22 -23 | 10 | Greiffaltstempel Pick up attachment and folder |
| | 793 25743 | -24 |  | Faltstempel Folder |
| S54 | 793 25363 | 745-15-21 -22 -23 | 12 | Greiffaltstempel Pick up attachment and folder |
| | 793 25753 | -24 |  | Faltstempel Folder |

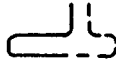


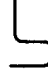




Einrichtungen der
Equipment of





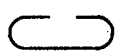

Kl. 745

Blatt 35

Page 35

| | | | | |
|-----|------------------------|--------------------------------|-------------------------------------------------------------------------------------------|--------------------------------------------------------------------------------|
| S55 | 793 25433 793 25763 | 745-15-21 -22 -23 -24 | 10  | Greiffaltstempel Pick up attachment and folder Faltstempel Folder |
| S56 | 793 25563 793 25793 | 745-15-21 -22 -23 -24 | 14  | Greiffaltstempel Pick up attachment and folder Faltstempel Folder |
| S57 | 793 25553 793 25803 | 745-15-21 -22 -23 -24 | 14  | Greiffaltstempel Pick up attachment and folder Faltstempel Folder |
| S58 | 793 25583 793 25813 | 745-15-21 -22 -23 -24 | 16  | Greiffaltstempel Pick up attachment and folder Faltstempel Folder |
| S59 | 793 25573 793 25823 | 745-15-21 -22 -23 -24 | 16  | Greiffaltstempel Pick up attachment and folder Faltstempel Folder |
| S60 | 793 25833 793 25837 | 745- 7-21 -22 -23 -24 | 20  | Greiffaltstempel Pick up attachment and folder Faltstempel Folder |
| | | | | Fortsetzung Blatt: 36 |



| S-Nr. S-No. | Teile-Nr. Part-No. | Unterklasse Sub-class | NA in mm NA/mm | Benennung und Beschreibung Denomination and description |
|----------------|------------------------|------------------------------------------|-------------------------------------------------------------------------------------------|----------------------------------------------------------------------------|
| S61 | 793 25843 793 25847 | 745-7-21 -22 -23 -24 | 20  | Greiffaltstempel Pick up attachment and folder Faltstempel Folder |
| S62 | 793 25853 | 745-2-11 -12 -13 -14 | 10  | Faltstempel Folder |
| S63 | 793 25953 | 745-2-11 -12 -13 -14 | 12  | Faltstempel Folder |
| S64 | 793 25973 | 745-2-11 -12 -13 -14 | 14  | Faltstempel Folder |
| S65 | 793 25993 | 745-2-11 -12 -13 -14 | 12  | Faltstempel Folder |
| S66 | 793 27402 793 25457 | 745-5 } -21 745-7 } -22 -23 -24 | 10  | Greiffaltstempel Pick up attachment and folder Faltstempel Folder |




Einrichtungen der
Equipment of

Kl. 745

Blatt 37

Page 37

| S-Nr. S-No. | Teile-Nr. Part-No. | Unterklasse Sub-class | NA in mm NA/mm | Benennung und Beschreibung Denomination and description |
|----------------|------------------------|------------------------------------------|-----------------------------------------------------------------------------------------|----------------------------------------------------------------------------|
| S67 | 793 27406 793 25457 | 745-5 } -21 745-7 } -22 -23 -24 | 10  | Greiffaltstempel Pick up attachment and folder Faltstempel Folder |
| S68 | 793 27402 793 25593 | 745-15-21 -22 -23 -24 | " | Greiffaltstempel Pick up attachment and folder Faltstempel Folder |
| S69 | 793 27406 793 25593 | " | " | Greiffaltstempel Pick up attachment and folder Faltstempel Folder |
| S70 | 793 27402 793 25467 | 745-5 } -21 745-7 } -22 -23 -24 | " | Greiffaltstempel Pick up attachment and folder Faltstempel Folder |
| S71 | 793 27406 793 25467 | " | " | Greiffaltstempel Pick up attachment and folder Faltstempel Folder |
| S72 | 793 27402 793 25613 | 745-15-21 -22 -23 -24 | " | Greiffaltstempel Pick up attachment and folder Faltstempel Folder |
| | | | | Fortsetzung Blatt 38 |

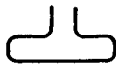



Einrichtungen der
Equipment of

Kl. 745

Blatt 38

Page 38

| S-Nr. S-No. | Teile-Nr. Part-No. | Unterklasse Sub-class | NA in mm NA/mm | Benennung und Beschreibung Denomination and description |
|----------------|-----------------------|---------------------------|-----------------------------------------------------------------------------------|------------------------------------------------------------|
| S73 | 793 27406 | 745-15-21 | 10 | Greiffaltstempel Pick up attachment and folder |
| | 793 25613 | -22 -23 -24 |  | Faltstempel Folder |
| S74 | 793 27412 | 745-5 } -21 | 12 | Greiffaltstempel Pick up attachment and folder |
| | 793 25497 | 745-7 } -22 -23 -24 |  | Faltstempel Folder |
| S75 | 793 27416 | " | " | Greiffaltstempel Pick up attachment and folder |
| | 793 25497 | " | " | Faltstempel Folder |
| S76 | 793 27412 | 745-15-21 | " | Greiffaltstempel Pick up attachment and folder |
| | 793 25643 | -22 -23 -24 | " | Faltstempel Folder |
| S77 | 793 27416 | " | " | Greiffaltstempel Pick up attachment and folder |
| | 793 25643 | " | " | Faltstempel Folder |
| S78 | 793 27412 | 745-5 } -21 | " | Greiffaltstempel Pick up attachment and folder |
| | 793 25507 | 745-7 } -22 -23 -24 | " | Faltstempel Folder |






Einrichtungen der
Equipment of

Kl. 745

Blatt 39

Page 39

| S-Nr. S-No. | Teile-Nr. Part-No. | Unterklasse Sub-class | NA in mm NA/mm | Benennung und Beschreibung Denomination and description |
|----------------|------------------------|------------------------------------------|-------------------------------------------------------------------------------------------|----------------------------------------------------------------------------|
| S79 | 793 27416 793 25507 | 745-5 } -21 745-7 } -22 -23 -24 | 12  | Greiffaltstempel Pick up attachment and folder Faltstempel Folder |
| S80 | 793 27412 793 25653 | 745-15-21 -22 -23 -24 | " | Greiffaltstempel Pick up attachment and folder Faltstempel Folder |
| S81 | 793 27416 793 25563 | " | " | Greiffaltstempel Pick up attachment and folder Faltstempel Folder |
| S82 | 793 26213 | 745-2-11 -12 -13 -14 | 10  | Faltstempel Folder |
| S83 | 793 26223 | 745-2-11 -12 -13 -14 | 12  | Faltstempel Folder |
| | | | | Greiffaltstempel Pick up attachment and folder Faltstempel Folder |



| Nr. No. | Nahtabstand in mm Seam distance mm | Unterklasse Sub-class | Teile-Nr. Part-No. | | | | | | |
|------------|---------------------------------------|--------------------------|--------------------------------------------------------------|--------------------------|-----------------------------|--------------------------------------------------|------------------------------------------------|-----------------------------------------------------------------------|---------------------------------------------------------------------|
| | | | Einzwickmesser Notching knife je 4 mal each 4 times | je 4 mal each 4 times | Stichplatte Throat plate | Nadelhalter, rechts Needle clamp on the right | Nadelhalter, links Needle clamp on the left | Messer vollst. für Unterfäden Knife compl. for bobbin thread | Gegenmesser für Unterfäden Counter knife for bobbin thread |
| N1 | 10 | 745-4 -5 | 792 7216 | 792 7216a | 246 2701 | 246 2001 | 246 2002 | 246 2401 | 246 2402 |
| N2 | 12 | 745-4 -5 | 792 7216 | 792 7216a | 246 2716 | 246 2015 | 246 2016 | 246 2408 | 246 2409 |
| N3 | 14 | 745-4 -5 | 792 7217 | 792 7217a | 246 2731 | 246 2021 | 246 2022 | 246 2411 | 246 2412 |
| N4 | 16 | 745-4 -5 | 792 7217 | 792 7217a | 246 2735 | 246 2031 | 246 2032 | 246 2414 | 246 2415 |
| N5 | 10 | 745-7 | 792 7974 | 792 7973 | 246 2701 | 246 2001 | 246 2002 | 246 2401 | 246 2402 |
| N6 | 12 | 745-7 | 746 997 | 746 997a | 246 2716 | 246 2015 | 246 2016 | 246 2408 | 246 2409 |
| N7 | 14 | 745-7 | 746 998 | 746 998a | 246 2731 | 246 2021 | 246 2022 | 246 2411 | 246 2412 |
| N8 | 16 | 745-7 | 746 998 | 746 998a | 246 2735 | 246 2031 | 246 2032 | 246 2414 | 246 2415 |
| N9 | 10 | 745-15 | 792 7216 | 792 7216a | 935 101501 | 246 2001 | 246 2002 | — | — |
| N10 | 12 | 745-15 | 792 7216 | 792 7216a | 935 101511 | 246 2015 | 246 2016 | — | — |
| N11 | 14 | 745-15 | 792 7217 | 792 7217a | 935 101516 | 246 2021 | 246 2022 | — | — |
| N12 | 16 | 745-15 | 792 7217 | 792 7217a | 935 101521 | 246 2031 | 246 2032 | — | — |

| Messer für Oberfäden Knife for needle threads | Fadenfänger Thread interceptor | Druckstück Thrust piece | Skalablech, rechts Scale plate on the right | Skalablech, links Scale plate on the left | Stoffgleitblech Cloth rest plate | Messerhalter kpl. je 2 mal Knife clamp compl. each 2 times | Führung (Lichtschranke) Guide (Lightbarrier) |
|--------------------------------------------------|-----------------------------------|----------------------------|------------------------------------------------|----------------------------------------------|-------------------------------------|---------------------------------------------------------------------|-------------------------------------------------|
| 246 594 | 246 595 | 246 599 | 792 5584 | 792 5583 | 792 7401 | 792 7201 | 794 2452 |
| 246 2439 | 246 2432 | 246 2440 | 792 5586 | 792 5585 | 792 7408 | 792 7211 | 794 2453 |
| 246 2439 | 246 2432 | 246 2440 | 792 5588 | 792 5587 | 792 7408 | 792 7211 | 794 2454 |
| 246 2439 | 246 2433 | 246 2440 | 792 5590 | 792 5589 | 792 7411 | 792 7195 | 794 2455 |
| 246 594 | 246 595 | 246 599 | 792 5584 | 792 5583 | 792 7401 | 792 7671 | 794 2452 |
| 246 2439 | 246 2432 | 246 2440 | 792 5586 | 792 5585 | 792 7408 | 792 7671 | 794 2453 |
| 246 2439 | 246 2432 | 246 2440 | 792 5588 | 792 5587 | 792 7408 | 792 7671 | 794 2454 |
| 246 2439 | 246 2433 | 246 2440 | 792 5590 | 792 5589 | 792 7411 | 792 7672 | 794 2455 |
| — | — | — | 792 5584 | 792 5583 | 792 7401 | 792 7201 | 794 2452 |
| — | — | — | 792 5586 | 792 5585 | 792 7408 | 792 7211 | 794 2453 |
| — | — | — | 792 5588 | 792 5587 | 792 7408 | 792 7211 | 794 2454 |
| — | — | — | 792 5590 | 792 5589 | 792 7411 | 792 7195 | 794 2455 |



Aufstellung über vorhandene Näheinrichtungen
der KI,745
List of available sewing equipment
for 745

Blatt 41
Page 41

| Nr. No. | Nahtabstand in mm Seam distance mm | Unterklasse Sub-class | Teile-Nr. Part-No. | | | | | | |
|------------|---------------------------------------|--------------------------|-------------------------------------------------------------|--------------------------|-----------------------------|--------------------------------------------------|------------------------------------------------|-----------------------------------------------------------------------|---------------------------------------------------------------------|
| | | | Einwickmesser Notching knife je 4 mal each 4 times | je 4 mal each 4 times | Stichplatte Throat plate | Nadelhalter, rechts Needle clamp on the right | Nadelhalter, links Needle clamp on the left | Messer vollst. für Unterfäden Knife compl. for bobbin thread | Gegenmesser für Unterfäden Counter knife for bobbin thread |
| N13 | 20 | 745-4 -5 | 792 7217 | 792 7217a | 246 2738 | 246 2041 | 246 2042 | 246 2421 | 246 2422 |
| N14 | 20 | 745-7 | 746 998 | 746 998a | 246 2738 | 246 2041 | 246 2042 | 246 2421 | 246 2422 |
| N15 | 20 | 745-15 | 792 7217 | 792 7217a | 935 101526 | 246 2041 | 246 2042 | — | — |
| N16 | 10 | 745-2 | 792 7216 | 792 7216a | 246 2701 | 246 2001 | 246 2002 | 246 2401 | 246 2402 |
| N17 | 12 | 745-2 | 792 7216 | 792 7216a | 246 2716 | 246 2015 | 246 2016 | 246 2408 | 246 2409 |
| N18 | 14 | 745-2 | 792 7217 | 792 7217a | 246 2731 | 246 2021 | 246 2022 | 246 2411 | 246 2412 |

| Messer für Oberfäden Knife for needle threads | Fadenfänger Thread interceptor | Druckstück Thrust piece | Skalablech, rechts Scale plate on the right | Skalablech, links Scale plate on the left | Stoffgleitblech Cloth rest plate | Messerhalter kpl. je 2 mal Knife clamp compl. each 2 times | Führung (Lichtschranke) Guide (Lightbarrier) |
|--------------------------------------------------|-----------------------------------|----------------------------|------------------------------------------------|----------------------------------------------|-------------------------------------|---------------------------------------------------------------------|-------------------------------------------------|
| 246 2444 | 246 2434 | 246 2445 | 792 5594 | 792 5593 | 792 7414 | 792 7197 | 794 2457 |
| 246 2444 | 246 2434 | 246 2445 | 792 5594 | 792 5593 | 792 7414 | 792 7673 | 794 2457 |
| — | — | — | 792 5594 | 792 5593 | 792 7414 | 792 7197 | 794 2457 |
| 246 594 | 246 595 | 246 599 | 792 5584 | 792 5583 | 792 7401 | 792 7201 | — |
| 246 2439 | 246 2432 | 246 2440 | 792 5586 | 792 5585 | 792 7408 | 792 7211 | — |
| 246 2439 | 246 2432 | 246 2440 | 792 5588 | 792 5587 | 792 7408 | 792 7211 | — |

Datum

Name

Fortsetzung
Blatt: 42



| A-Nr. A-No. | Teile-Nr. Part-No. | Benennung und Beschreibung Denomination and description |
|----------------|-----------------------|-------------------------------------------------------------------------------------------------------------------------------------------------------------------------------------------------------------------------------------------------------------------------------------------------------------------------------------------------------------------|
| A1 | 746 41471 | Auflage für rechts- oder linksseitige Paspelaufnahme. Tascheneingriffe beidseitig paspeliert. Nählänge 180mm. Wird ersetzt durch A3 Replaced by A3. Rest for picking up the piping on the right or on the left. Pocket openings piped on either side. Seam length 180mm. |
| A2 | 746 41481 | Auflage für rechts- oder linksseitige Paspelaufnahme. Tascheneingriffe einseitig paspeliert. Nählänge 180mm. Rest for picking up the piping on the right or on the left. Pocket openings piped on one side. Seam length 180mm. |
| A3 | 793 24001 | Auflage für rechts- od.linksseitige Paspelaufnahme. Taschenein- griffe einseitig od.doppelseitig paspeliert. Nählänge 180 mm. Rest for picking up the piping on the right or on the left. Pocket openings piped on one side or on either side. Seam length 180 mm. |
| A4 | 793 24051 | Auflage für rechts- od. linksseitige Paspelaufnahme. Taschenein- griffe einseitig od. doppelseitig paspeliert. Nählänge 220mm. Rest for picking up the piping on the right or on the left. Pocket openings piped on one side or on either side. Seam length 220mm. |
| A5 | 793 27721 | Auflage für rechts- oder linksseitige Paspelaufnahme. Taschen- eingriffe doppelseitig paspeliert. Nählänge 180 mm. <u>Nur für Paspelstreifenschneideinrichtung.</u> Rest for picking up the piping on the right or on the left. Pocket openings piped on either side. Seam length 180 mm. <u>Only for equipment for cutting up the piping.</u> |
| | | |

Best.-Nr. Tafel

App.0053 51
 App.0055 51
 App.0056 51
 App.1061 88
 App.1069 88
 App.1251 88
 App.1261 88
 App.20160 1,60,61,63,64,71,75
 K067351470 86
 K220004060 79
 K993910648 86
 K999202711 82
 K999211013 86
 K999240018 86
 K999240303 86
 MG040006 1,60,69,71
 MG080007d 9,11,24,33,36,37,53,
 54,55,56,57,58,60,61,
 63,73,77,79,83,84
 MG411255 60
 MG411263 1,60
 MG411305 60,75,77
 MG411356 60
 MG413041 50,64
 MG413047 50
 MG414259a 6,11
 MG414571 42
 MG414606 61
 MG414620 72
 MG414627 11
 MG418414 62,72
 MG418472 42
 MG418473 42
 MG430011 61
 MG430012 1,61
 MG430013 1,60
 MG430014 1
 MG430036 60
 MG430062 1
 MG430080 2
 MG430082 2
 MG430401 1
 MG430402 1
 MG430403 1,59,60,85
 MG430404 1,59,60,85
 MG430408 3,9,31,39,53,54,55,
 56,57,58,60,61,74,84
 MG430409 1,5,24,34,59,60,61,
 64,68,70,77,85
 MG432509 1
 MG432510 1,3,59,85
 MG432548 59,85
 MG432599 1
 MG432950a 19
 MG432970 53,54,55,56,57,58,83,
 84
 MG436542 71,73
 MG440160 2
 MG501011 1
 MG501151 1

Best.-Nr. Tafel

MG501152 1
 MG501153 1
 MG501161 1
 MG501162 1
 MG501171 1
 MG501181 1
 MG501191 1
 MG501221 1
 MG501227 1
 MG501239 1
 MG501240 1
 MG501242 1
 MG501247 1
 MG501261 1
 MG501262 1
 MG501271 1
 MG501281 1
 MG501283 1
 MG501285 1
 MG501288 1
 MG501303 1
 MG501308 1
 MG501334 2
 MG501335 2
 MG501337 2
 MG501338 2
 MG501347 2
 MG501351 1
 MG501371 1
 MG501379 1
 MG501392 2
 MG501393 2
 MG501398 2
 MG501403 2
 MG501442 2
 MG501444 2
 MG501452 2
 MG501491 1
 MG501501 3
 MG501602 40
 MG501612 1
 MG501621 40
 MG501624 40
 MG502521 1
 MG502531 1
 MG502551 1
 MG502554 1
 MG504558 1
 MG504559 1
 MG504563 1
 MG504565 1
 MG504567 1
 NB002431 5
 NB798042 25a
 P1210010 6,7,9,10,11,71,86
 P1210053 62
 P1210059 8,11,34,41,62
 P1210062 4
 P1210110 1,3,26,27,28,74,81,
 82

Best.-Nr. Tafel

P1250015 73
 P1250019 6,73
 P1250047 4,68,70,77
 TG130042 23,76
 TG420099 60
 Z1000344 59,85
 Z10010249 30,42
 Z10010435 44,46,47
 Z10010436 47
 Z10011226 43
 Z10011255 44
 Z10011259 43
 Z10011260 43
 Z1110013 73
 Z1110021 73
 Z1110034 73
 Z1110037 73
 Z1110157 3
 Z1110162 4,36,61,67
 Z1110807 41
 Z1120102 60
 Z1120105 60
 Z1120109 60
 Z1120110 60
 Z1120114 60
 Z1120121 60
 Z1120125 60
 Z1120127 60,61
 Z1120129a 61
 Z1120135 61
 Z1120153 61
 Z1120155 61
 Z1120164 61
 Z1120165k 60
 Z1120167 61
 Z1120171 61
 Z1120204 61
 Z1120205 61
 Z1120211 61
 Z1120224 60
 Z1120235 79,80,86
 Z1120243 61
 Z1120246 61
 Z1120249 61
 Z1120271 61
 Z1120278 61
 Z1120284 60
 Z1120291a 61
 Z1120291k 61
 Z1120292 61
 Z1120295 61
 Z1120381 61
 Z1120382 61
 Z1120390 2,61
 Z1120392 60
 Z1120401 61
 Z1120407 61
 Z1120441k 61
 Z1120454 60
 Z1120463 60

Best.-Nr. Tafel

Z1120471 60
 Z1120478 60
 Z1120483 60
 Z1120499 60
 Z1120500 60
 Z1120543 8
 Z1120593 62
 Z1120611 4,68,70
 Z1120612 80
 Z1120638 61
 Z1120741 61
 Z1120743 61
 Z1121522 60
 Z11210015 61
 Z11210221 61
 Z11210515 60
 Z1121093 61
 Z1121110 61
 Z1121504a 60
 Z11216122 61
 Z11216130 61
 Z11216133 61
 Z11216136k 61
 Z11216137 61
 Z11216137a 61
 Z11216140 61
 Z11216141 61
 Z11216142 61
 Z11216144 61
 Z11216147 61
 Z11216152 61
 Z11216156 61
 Z1121661 61
 Z1121739 30
 Z1121935 6
 Z1121937a 61
 Z1121968 61
 Z1122061 61
 Z1122062 61
 Z1122224 61
 Z1129973 60
 Z1129993 60
 Z1129995 60
 Z1129999 60
 Z1130290 42
 Z1160049 8,11,13,34,37,41,59,
 62,67,68,70,74,77,80,
 81,82,85
 Z1160050 11,34,35,59,85
 Z1160061 73
 Z1180011 53,54,55,56,57,58,83,
 84
 Z1200362 68,69,70,71,72
 Z1200712 41
 Z1230205 77
 Z1330103 36
 Z15100241 23
 Z15101047 82
 Z1510241 76
 Z1510291 46

Best.-Nr. Tafel

Z1510296 47
 Z1510313 45
 Z1510318 46,47
 00200008 4
 00400079 35
 02400275 13,18,24,32,34,36,37,
 39,41,52,53,54,55,56,
 57,58,59,62,63,67,68,
 69,70,71,72,73,74,77,
 79,80,83,84,85
 02500357 3
 052003608 60
 05200369 51
 08200424 77
 11400202 35
 14700203 24,74
 20200704 4,5,12,14,15,16,17,
 18,21,22,23,33,39,42,
 53,54,55,56,57,58,60,
 61,66,76,77,78,83,84,
 88
 20400128 61
 20401038 32
 21100024 38
 21100025 13,38,63
 21100027 2,24,38
 21100031 38
 21100063 77
 21100083k 38
 21100084k 38
 21100085 33
 21100089 33
 21100100a 3,4,35,53,54,55,56,
 57,58,83,84
 21100108 31
 21100109 9,10,12,31,63
 21100141a 31
 21100198 11
 21100212 63
 21100249 2
 21100256 32,89
 21100257 31
 21100268 26,27,28
 21100305a 31
 21100305b 31
 21100306a 31
 21100306b 31
 21100308k 31
 21100309 31
 21100331 32
 21100351b 31
 21100354 23,31,76,78
 21100355 31
 21100361 31
 21100362 31
 21100365 31
 21100397 32
 21100398 32
 21100407 32
 21100408 32

Best.-Nr. Tafel

21100411a 32
 21100414 32
 21100416 32
 21100464 35
 21100482 35
 21100496 36,70,76,78
 21100499 31
 21100518 35,76,78
 21100520 35
 21100549a 89
 21100567 52
 21100609 1,3,9,39,60
 21100616 1,60,61
 21100634 38
 21100635 38
 21100646a 38
 21100699 51
 21100700 51
 21100801 31
 21100806 38
 21100921a 38
 21100936 38
 21101012 35
 21101017 35
 21101152 35
 21101316 31
 21103028 36
 21103058 53,54,55,56,57,58,83,
 84
 21103186 36
 21103324 81,82
 21109672 63
 21109963 63
 21150202 10
 21150214 35
 21150346 9
 21150397 86
 21154075 12,13,22,33
 21154215 76
 21200047 33
 21200113 24
 21204743 31
 21204744 31
 21204745 31
 21204841 6
 21204882 4
 21204909 29,37,67,86
 21600042 31
 21600046 14,15,16,17,18,19,20,
 21,22,33,38
 21600068 33,34
 21600068a 31,32,38
 21600120 26,27,28,32,35,39,73
 21600123 11
 21600152 14,15,16,17,21,22,
 21600157 38
 21600211 61
 21600216 61
 21600229 31
 21600315 35

Best.-Nr. Tafel

21600377 11
 21600496 32
 21600497 53,55,58,73,84,88
 21600507 35
 21600508 7,26,27,28,35
 21600542 73
 21600573 52
 21600589 26,27,28
 21600591 35
 21600601 50
 21600603k 35
 21600656 4
 21600658 33
 21600660 25,33,34,59,85
 21601146 33,38,63,71
 21900321 33,38
 21900353 10,19,23,26,27,28,29
 36,42,67,86
 21901013 24
 21904240 12,72
 21906367 19,78
 22100583 28
 22300092 34
 22300237 9,24,38
 22300245 74
 22300448 31
 22300646 37,61,63,69,71
 22300648 9,10,31,35
 22300652 63
 22300676 12
 22300700 7,31,36,38
 22300723 4,52,53,55,58,82,84
 22305047 35
 23100454 23,24,76,78
 23700202 26,27,28,39,66,81,82
 23700624 23,32,36
 23806530 4,6,12,13,36,53,54,
 55,56,57,58,66,68,69,
 70,71,77,83,84
 23810073 35,58,84
 23817029 79
 23817117a 6
 23817122 61
 23817325 25a
 24000088 35
 24001027 39
 24001129 50,64
 24001285 62,72
 24200595 36
 24400362 35
 24400381 35
 24400388 35
 24400396 35
 24400398 35
 24400399 35
 24400400 35
 24400401 35
 24400403 35
 24400404 35,79
 24400413 35

Best.-Nr. Tafel

24400414 35
 24400415 35
 24400416 35
 24400518 31
 24400522 31
 24400677 38
 24400681 38
 24400682 38
 24400684 38
 24400685 38
 24400696 38
 24400698 38
 24400700 4
 24400701 38
 24400705 38
 24400707 38
 24400724 38
 24400771 38
 24400772 38
 24400773 38
 24400776 38
 24400778 38
 24400784 38
 24400791 38
 24400795 38
 24400796 38
 24400802 38
 24400803 38
 24400808 38
 24400831 38
 24400834 38
 24400836 38
 24400968 38
 24400970 38
 24400992 38
 24401022 38
 24401023 38
 24401024 38
 24401026 38
 24401027 38
 24401028 38
 24401029 38
 24401037 38
 24401038 38
 24414159 79
 24414546 63
 24414619 9
 24600017 31
 24600051 32
 24600068 31
 24600097 32
 24600122a 33,34
 24600123k 33,34
 24600128 33
 24600129 33
 24600130 12,13,33,34,37,77,79
 24600135a 32
 24600136 32
 24600136a 32
 24600139 33

Best.-Nr. Tafel

24600140 33
 24600141 33
 24600146 32
 24600151 32
 24600151a 32
 24600152 32
 24600152a 32
 24600167 32
 24600169 32
 24600174 32
 24600176 32
 24600188k 32
 24600189 32
 24600191 32
 24600196 32
 24600218 32
 24600250 33
 24600271 33
 24600282 33
 24600284 33
 24600287 33
 24600289 33
 24600304 33
 24600311 33
 24600320 33,37
 24600322a 33
 24600341 36
 24600348 14,15,16,17,21,26,27,
 28,33,36,66,67,73,81,
 82
 24600359 36
 24600360 4,36,77
 24600369 36,41,66,73,86
 24600372 36
 24600410a 35
 24600415 35
 24600417a 35
 24600419 36
 24600423a 35
 24600438 34,35
 24600466 35
 24600471 35
 24600527a 36
 24600537 36
 24600546 36
 24600549 36
 24600586 36
 24600587 36
 24600591 36
 24600593 36
 24600594 36
 24600596 36
 24600599 36
 24600610 31
 24600614 31
 24600621 31
 24600623 31
 24600687 38
 24600690 38
 24600821 38

Best.-Nr. Tafel

21600589 27,28,29
 21600591 36
 21600601 48
 21600603k 36
 21600656 4
 21600658 33
 21600660 25,33,57,79
 21601146 33,37,61,69
 21900321 33,37
 21900353 10,19,23,27,28,29,30,
 33,40,65,80
 21901013 24
 21904240 70
 21906367 19
 22100583 29
 22300092 37
 22300237 9,24,37
 22300245 72
 22300448 32
 22300646 35,59,61,67,69
 22300648 9,10,32,36
 22300652 61
 22300700 7,32,33,37
 22300723 4,50,51,53,56,76,78
 22305047 36
 23100454 23,24
 23700202 27,28,29,37,64,75,76
 23700624 23
 23806530 4,6,33,51,52,53,54,
 55,56,64,66,67,68,69,
 74,77,78
 23810073 36,56,78
 23817117a 6
 23817122 59
 23817325 26
 24000088 36
 24001027 37
 24001129 48,62
 24001285 60,70
 24400362 36
 24400381 36
 24400388 36
 24400396 36
 24400398 36
 24400399 36
 24400400 36
 24400401 36
 24400403 36
 24400404 36
 24400413 36
 24400414 36
 24400415 36
 24400416 36
 24400518 32
 24400522 32
 24400677 37
 24400681 37
 24400682 37
 24400684 37
 24400685 37

Best.-Nr. Tafel

24400696 37
 24400698 37
 24400700 4
 24400701 37
 24400707 37
 24400724 37
 24400771 37
 24400772 37
 24400773 37
 24400784 37
 24400791 37
 24400795 37
 24400796 37
 24400808 37
 24400831 37
 24400834 37
 24400836 37
 24400968 37
 24400970 37
 24400992 37
 24401022 37
 24401023 37
 24401024 37
 24401026 37
 24401027 37
 24401028 37
 24401029 37
 24401037 37
 24401038 37
 24414546 61
 24414619 9
 24600017 32
 24600051 32
 24600068a 32
 24600097 32
 24600122a 33
 24600123k 33
 24600130 33,35,74
 24600135a 32
 24600136 32
 24600136a 32
 24600146 32
 24600153 32
 24600153a 32
 24600167 32
 24600169 32
 24600173 32
 24600175 32
 24600188k 32
 24600189 32
 24600191 32
 24600196 32
 24600218 32
 24600271 33
 24600282 33
 24600284 33
 24600287 33
 24600289 33
 24600304 33
 24600311 33

Best.-Nr. Tafel

24600320 33,35
 24600322a 33
 24600341 34
 24600348 14,15,16,17,21,27,28,
 29,33,34,64,65,71,75,
 76
 24600359 34
 24600360 4,34,74
 24600369 34,39,64,71,80
 24600372 33
 24600410a 36
 24600415 36
 24600417a 36
 24600419 34
 24600423a 36
 24600438 33,36
 24600466 36
 24600471 36
 24600527a 34
 24600537 34
 24600546 34
 24600549 34
 24600586 34
 24600587 34
 24600591 34
 24600593 34
 24600594 34
 24600595 34
 24600596 34
 24600599 34
 24600610 32
 24600621 32
 24600623 32
 24600687 37
 24600690 37
 24600821 37
 24600827 37
 24600909b 37
 24600922 37
 24600923 37
 24600927 37
 24600930 37
 24600931 37
 24600937 37
 24600941 37
 24600942 37
 24600945 37
 24600946 37
 24600951 37
 24600955 37
 24600959 37
 24600968 4,25,35
 24600983a 35
 24600984 1,34,35
 24600986 35
 24600989 35
 24601017 34
 24601040 33
 24601049 8,11,19,33,57,61,74,
 79

Best.-Nr. Tafel

24600827 38
 24600909b 38
 24600922 39
 24600923 39
 24600927 39
 24600930 39
 24600931 39
 24600937 39
 24600941 39
 24600942 39
 24600945 39
 24600946 39
 24600951 39
 24600955 39
 24600959 39
 24600960 39
 24600968 4,25,37
 24600983a 37
 24600984 1,34,37
 24600986 37
 24600989 37
 24601011 33
 24601017 34
 24601023 33
 24601035 33
 24601037 33
 24601040 33
 24601041 33
 24601047 33
 24601048 33
 24601049 8,11,19,33,36,59,63,
 77,85
 24601116 36
 24601117 36
 24601218 60
 24602001 89
 24602002 89
 24602006 89
 24602207 89
 24602209 81,82,89
 24602401 89
 24602402 89
 24602403 89
 24602432 36
 24602433 36
 24602439 36
 24602440 36
 24602441 36
 24602502 31
 24602508 32
 24602511 79
 24602521 32
 24602524 32
 24602527 32
 24602532 32
 24602533 32
 24602536 32
 24602539 32
 24602541 32
 24602543 32

Best.-Nr. Tafel

24602547 32
 24602553 32
 24602555 31
 24602558 31
 24602561 34
 24602561a 34
 24602566 7,12,15,16,17,18,19,
 21,22,34,78,86
 24602578 34
 24602579 34
 24602701 89
 24602706 89
 24602751 89
 24602752 89
 24602754 89
 24602756 89
 24602764 89
 24603003 38
 24603004 38
 24603042 38
 24603058 38,51
 24603964 31
 24603975 32
 24603982 32
 24603987 32
 24604063 34
 24604067 34
 24604069 12,34
 24604070 10,34
 24604071 34
 24604104 35
 24604105 35
 24604111 35
 24604112 35
 24604120 35
 24604153 36
 24604172 36
 24604176 36
 24604183 36
 24604186 36
 24604187 36
 24604222 34
 24604241 34
 24604242 34
 24604301 37
 24604304 37
 24604311 37
 24900002 1
 24900131 59,85
 24900674 13
 25202389 24,69,71
 25202955 54,56
 25500129 25,35,39,53,54,55,56,
 57,58,63,83,84
 25500356 60
 26300761 40
 26400762 35
 26500138 36
 26500289 3,60,69,71
 26500407 35

Best.-Nr. Tafel

26500565 4,5,68,69,70,71,77
 26500704 32
 26500749 38
 26500753 38
 26500887 38
 26502100 36
 26505253 35
 26508554 69,71
 26508566 36
 26508878 7,32,39,86
 26509746 73
 26700248 31
 26700482 35
 26700483 35
 26901023 61
 27000263 88
 27000631 32
 27100043 86
 27100125 15,16,17,18,21,22,81,82
 27100169 14,15,16,17,21,22
 27100189 14,15,16,17,18,21,22,
 81,82
 27100275 35
 27100276 35
 27100297 73,87
 27100487 73
 27101413 81,82
 29100008 12
 29100047 31
 29100089 61
 29100347 4
 29100513 12
 29100758 35
 29102814 42,43
 29201229 1
 29400737 69,71
 30803325 4
 37600128 32
 37600131 32
 37600132 32
 38000089 32
 38000093 32
 38000094 32
 38000095 32
 38000096 32
 38000097 32
 38000101 32
 38000102 32
 38000103 32
 38000104 32
 38000105 32
 38000106 32
 38000108 32
 38000110 32
 38000111 32
 38000112 32
 38000117 32
 38000119 32
 38000120k 32
 38000121 32

Best.-Nr. Tafel

38000122 32
 38000237 71
 38000289 26,27,28,81,82
 38000793 89
 42000013 31
 42000036 38
 42000084 9,33
 42000324 26,27,28,39
 42000328 33,59,85
 42000362 12,25
 42000368 52
 42100222 32,38
 42200297 31
 53100460 14,15,16,17,18,19,
 20,21,22,38
 53100471 36,69,71
 54100292 33
 54101395 31,32
 55100987 15,16,17,18,19,21,22,
 36
 55101246 26,27,28,81,82
 55101802 35,66
 55101824 47,59,73,85
 55102537 67
 55103338 48
 55500685 51
 55600263 24
 55600351 63
 55600362 9,11,24,33,40,53,54,
 55,56,57,58,60,77,
 79,83,84
 55600379 79
 55600387 5
 55600645 33
 55600669 36
 55600815a 69,71
 55600947 19,32,78,81,82
 55601075 5,7,12,53,54,55,
 56,57,58,83,84
 55601099k 9,33
 55601164 73
 55601184 76,78
 55601653 39
 55601686 19,38,73
 55601827 32
 55602267 59,85
 55602363 8,11
 55602622 5
 55603086 38
 55603087 38
 55603088 38
 55607351 73
 55613020 64
 55613036 63
 55613153 2
 55614030 4,12,25,35,36,37
 55614146 4,5,11
 55614291 35,41,59,80,81,82,85
 55614401 73
 55615301 10

Best.-Nr. Tafel

55615410 47,86
 55700134 61
 55700263 3,4,7,10,24,25,26,27,
 28,29,34,37,38,39,40,
 53,54,55,56,57,58,60,
 64,67,69,71,73,77,79,
 81,82,83,84,86
 55700762 52
 55700783 10
 55701219 2
 55701349 51
 55701494a 1
 55701842 24
 55703512 11
 55800060 43
 55800081 26,27,28,77,81,82
 55800090 5,15,18,26,27,28,29,
 53,55,58,73,84,86
 55800101 4,77
 55800305 24
 55800312 4,23,74,78
 55800312a 4,64
 55800579 30
 55800631 68,70
 55800769 23,76
 55800786 25a
 55800790 79
 55800846 73
 55800951 37
 55801105 69,71
 55801106 69,71
 55801107 86
 55801304 10,77
 55801651 86
 55801771 67,72,75
 55806199 87
 56613036 63
 56700920 76,78
 56900137 11
 56901895 14,15,16,17,18,21,22,
 23,26,27,28,32,36,37,
 53,54,55,56,57,58,60,
 61,64,66,73,77,79,81,
 82,83,84,87,88
 56901922 3,10,32,48,81,82
 56902773 3,10,61
 56902900 5
 56903278 59,73,85
 56904445 73
 57000055 31
 57000071a 81,82
 57000117 12,33,73
 57000118 36
 57000138 24,34,53,54,55,56,57,
 58,69,71,73,79,83,84
 57000479 3
 57000522 1,23,76,78
 57000579 11
 57000777 77
 57000791 37,63,69,71

Best.-Nr. Tafel

57000907 66
 57000912 5,13,15,18,30,36,37,
 53,54,55,56,57,58,66,
 73,83,84,86
 57000939a 1,53,54,55,56,57,58,
 64,71,78,83,84,86,88
 57000975 3,26,27,28,34
 57001201 61
 57001220 1,60
 57001228 4,25,37
 57001287 61,73
 57001364 9
 57001368 4
 57001392 5,10,76,78,88
 57001594 4,23,64,78
 57001847 59,73,80,81,82,85
 57002119 77
 57002382 5,15,16,17,18,19,21,
 22,69,71
 57002383 61
 65000292 31,38
 65000336 72
 65000347 31
 65000353 1,61,63
 65000371 74
 70000016 25a
 70000043 2
 70000044 2
 70000045 2
 70000048 2
 70000444 60,61,63,76,77,78
 70002302 1
 70002304 1
 70005002 40
 70005003 40
 70005004 75
 70005005 75
 70005006 71
 70005007 64
 70005008 64
 70005009 75
 70200063 38
 70200604 5,37
 71300302 40
 71300387 61
 71800011 64
 71800254 74
 71802624 11
 71810508 7
 71811043 1,68,70,72
 71811060 75
 71812449 82
 71812756 73
 71812786 14,15,16,17,18,20,21,
 22
 71900010 66
 71900124 59,61,63,68,69,70,71,
 85
 71900127 7,10,26,27,28,58,78,
 79,81,82,84

Best.-Nr. Tafel

24601116 33
 24601117 33
 24601218 58
 24602001 83
 24602002 83
 24602006 83
 24602207 83
 24602209 75,76,83
 24602401 83
 24602402 83
 24602403 83
 24602432 34
 24602439 34
 24602502 32
 24602508 32
 24602521 32
 24602524 32
 24602527 32
 24602532 32
 24602533 32
 24602536 32
 24602539 32
 24602541 32
 24602543 32
 24602547 32
 24602553 32
 24602555 32
 24602558 32
 24602561 34
 24602561a 34
 24602566 7,12,15,16,17,18,19,
 21,22,34,80
 24602578 34
 24602579 34
 24602701 83
 24602706 83
 24602751 83
 24602752 83
 24602754 83
 24602756 83
 24602764 83
 24603003 37
 24603004 37
 24603042 37
 24603058 37,49
 24603964 32
 24603966 32
 24603975 32
 24603982 32
 24603987 32
 24604063 34
 24604067 34
 24604069 34
 24604070 10,34
 24604071 34
 24604104 36
 24604105 36
 24604111 36
 24604112 36
 24604120 36

Best.-Nr. Tafel

24604153 33
 24604172 33
 24604176 33
 24604178 33
 24604183 33
 24604186 33
 24604187 33
 24604222 34
 24604241 34
 24604242 34
 24604301 35
 24604304 35
 24604311 35
 24900002 1
 24900131 57,79
 25202389 24,67,69
 25202955 52,54
 25500129 25,36,37,51,52,53,54,
 55,56,61,77,78
 25500356 58
 26300761 38
 26400762 36
 26500138 33
 26500289 3,58,67,69
 26500407 36
 26500565 4,5,33,66,67,68,69,
 74
 26500704 32
 26500753 37
 26500887 37
 26505253 36
 26508554 67,69
 26508566 33,34
 26508878 7,32,37,80
 26509746 71
 26700248 32
 26700482 36
 26700483 36
 26901023 59
 27000263 82
 27000631 32
 27100043 80
 27100125 15,16,17,18,21,22,75,
 76
 27100169 14,15,16,17,21,22
 27100189 14,15,16,17,18,21,22,
 75,76
 27100275 36
 27100276 36
 27100297 71,81
 27100487 71
 27101413 75,76
 29100008 12
 29100047 32
 29100089 59
 29100347 4
 29100758 36
 29102814 40,41
 29201229 1
 29400737 67,69

Best.-Nr. Tafel

30803325 4
 37600128 32
 37600131 32
 37600132 32
 38000108 32
 38000110 32
 38000111 32
 38000112 32
 38000117 32
 38000119 32
 38000120k 32
 38000121 32
 38000122 32
 38000237 69
 38000289 27,28,29,75,76
 38000793 83
 42000013 32
 42000036 37
 42000084 9,33
 42000324 27,28,29,37
 42000328 57,79
 42000362 25
 42000368 50
 42100222 37
 42200297 32
 53100460 14,15,16,17,18,19,20,
 21,22
 53100471 34,67,69
 54101395 32
 55100987 15,16,17,18,19,21,22,
 33
 55101246 27,28,29,75,76
 55101802 36,64
 55101824 45,57,71,79
 55102537 65
 55103338 46
 55500685 49
 55600263 24
 55600351 61
 55600362 9,11,24,38,51,52,53,
 54,55,56,58,74,77,78
 55600387 5
 55600645 33
 55600669 34
 55600815a 67,69
 55600947 19,32,75,76
 55601075 5,7,51,52,53,54,55,
 56,77,78
 55601099k 9,33
 55601164 71
 55601653 37
 55601686 19,37,71
 55601827 32
 55602267 57,79
 55602363 8,11
 55602622 5
 55603086 37
 55603087 37
 55603088 37
 55607351 71

Best.-Nr. Tafel

55613020 62
 55613036 61
 55613153 2
 55614030 4,25,34,35,36
 55614146 4,5,11
 55614291 36,39,57,75,76,79
 55614401 71
 55615301 10
 55615410 45,80
 55700134 59
 55700263 3,4,7,10,24,25,27,28,
 29,30,34,35,37,38,51,
 52,53,54,55,56,58,62,
 65,67,69,71,74,75,76,
 77,78,80
 55700762 50
 55700783 10
 55701219 2
 55701349 49
 55701494a 1
 55701842 24
 55703512 11
 55800060 41
 55800081 27,28,29,74,75,76
 55800090 5,15,18,27,28,29,30,
 51,53,56,71,78,80
 55800101 4,74
 55800305 24
 55800312 4,23,72
 55800312a 4,62
 55800579 31
 55800631 66,68
 55800769 23
 55800786 26
 55800846 71
 55800950 35
 55800951 35
 55801105 67,69
 55801106 67,69
 55801107 80
 55801304 10,74
 55801651 80
 55801771 65,70,73
 55806199 81
 56613036 61
 56900137 11
 56901895 14,15,16,17,18,21,22,
 23,27,28,29,32,33,35,
 51,52,53,54,55,56,58,
 59,62,64,71,74,75,76,
 77,78,81,82
 56901922 3,10,32,34,46,75,76
 56902773 3,10,59
 56902900 5
 56903278 57,71,79
 56904445 71
 57000055 32
 57000071a 75,76
 57000117 71
 57000118 34

Best.-Nr. Tafel

57000138 24,34,51,52,53,54,55,
 56,67,69,71,77,78
 57000479 3
 57000522 1,23
 57000579 11
 57000777 74
 57000791 35,61,67,69
 57000907 64
 57000912 5,13,15,18,31,34,35,
 51,52,53,54,55,56,64,
 71,77,78,80
 57000939a 1,51,52,53,54,55,56,
 62,69,77,78,80,82
 57000975 3,27,28,29,34
 57001201 59
 57001220 1,58
 57001228 4,25,35
 57001287 59,71
 57001364 9
 57001368 4
 57001392 5,10,82
 57001594 4,23,62
 57001847 57,71,75,76,79
 57002119 74
 57002382 5,15,16,17,18,19,21,
 22,67,69
 57002383 59
 57093135 12
 65000292 32,37
 65000336 70
 65000347 32
 65000353 1,59,61
 65000371 72
 70000016 26
 70000043 2
 70000044 2
 70000045 2
 70000048 2
 70000444 58,59,61,74
 70002302 1
 70002304 1
 70005002 38
 70005003 38
 70005004 73
 70005005 73
 70005006 69
 70005007 62
 70005008 62
 70005009 73
 70200063 37
 70200604 5,35
 71300302 38
 71300387 59
 71800011 62
 71800254 72
 71802624 11
 71810508 7
 71811043 1,66,68,70
 71811060 73
 71812449 76

Best.-Nr. Tafel

71812756 71
 71812786 14,15,16,17,18,20,21,
 22
 71900010 64
 71900124 57,59,61,66,67,68,69,
 79
 71900127 7,10,27,28,29,56,75,
 76,78
 72000041 61
 72000042a 1,2,3,6,11,38,39,51,
 52,53,54,55,56,58,59,
 61,64,65,66,67,68,69,
 70,73,74,78
 72000043 1,2,3,23,38,39,58,59,
 61,62,65,69,70,73,74
 72000127 1,58,59
 72000131 58
 72000293 59
 72000607 1,58,59,61
 72200201 36
 72200735 26
 72201139 60
 72500497 1
 72500520b 1,25,51,52,53,54,55,
 56,58,59,61,64,66,68,
 78
 73900076 33
 73900085 82
 73900163 1,62,73
 73900253 48
 73900297 37,40,57,79,82
 73900298 10,40,41,45,82
 73900305 44
 73900311 45,46
 73900347 36,37,58
 73900595 1,5,11,13,26,38,61,
 62,69,73
 73900878 3,4,31,40,57,79
 73901108 7,71
 73901171a 30,80
 73905012 34
 73905024 18,20
 73905105 9,50
 73905347 71
 74100481 2
 74100481k 2
 74100799 61
 74102600 43
 74200036 7
 74200804 31,40
 74201461 10
 74201475 59
 74201535 40
 74201708 23
 74201741 62
 74201795 11
 74202036 5,23
 74202163 59
 74202175 66,68
 74202238 35,39,57,60,68,79

Best.-Nr. Tafel

74202656 41
 74202699 40
 74203017 70
 74203018 70
 74203040 70
 74203114 70
 74203137 70
 74203148 70
 74203157 70
 74203210 70
 74203255 59
 74203275 70
 74205027 1
 74205038 66,68
 74205098 1,2,3,23,39,61,72
 74205110 1,58
 74205110a 1,58
 74205374 25
 74206195 39
 74206318 60
 74206320 60
 74206431 6,11
 74207331 70
 74221459 74
 74221503a 74
 74221504 74
 74221511a 74
 74221514 74
 74221574 4,31,40
 74221623 35,57,65,72,74,79
 74221996 24,51,52,53,54,55,56,
 77,78
 74223001 59
 74240121 1
 74240188 38
 74240189 1
 74240277 7,34,55,77
 74240296 2
 74240297 1,2
 74240298 2
 74240456 6
 74240457 6
 74240766 3
 74240824 40
 74241326 4
 74241342 11
 74241349 4,11
 74241385 5
 74241387 5
 74241392 5
 74241397 5
 74241404 5
 74241406 5
 74241412 5
 74241414 5
 74241414a 5
 74241415 5
 74241415a 5
 74241418 5
 74241422 1,5

Best.-Nr. Tafel

74241516 74
 74241517 4,74
 74241522 74
 74241523 74
 74241524 74
 74241533 4,74
 74241545 4,74
 74241546 4,74
 74241547 4
 74241551 4,74
 74241555 4,74
 74241677 6
 74241679 6
 74241791 6
 74241792 6,11
 74241795 6,11
 74241797 6,11
 74241799 6,11
 74241807 6,11
 74242167 7,24,80
 74242857 68
 74242875 66
 74242889 25
 74243058 80
 74244586 10
 74255716 14,15,16,17,21,22
 74320506 24
 74400705 37
 74401013 1,58,61
 74401017 3,10,23,62
 74401107 2
 74401115 37,57,64,79
 74401131 51,52,53,54,55,56,58,
 59,66,68,70,78
 74401155 23
 74401176 66,68
 74401236 7
 74401304 25
 74401318 38,62,69,73
 74401339 25
 74401426 4,9,61,62,69
 74401492 58,59
 74401509 4,7,10,11,13,26,32,
 33,34,35,39,52,54,57,
 65,66,68,71,72,74,79
 74401559 35
 74401658 11,23,24
 74401694 23,51,52,53,54,55,56,
 77,78
 74401792a 39
 74401793a 39
 74401793b 39
 74401796 39
 74401816 39,60
 74401819 35,60,63
 74401820 35,60,63,66,68
 74401922 39
 74401968 5,7,12,15,16,17,18,
 19,21,22,25,32,51,52,
 53,54,55,56,62,64,77,
 78

Best.-Nr. Tafel

74401974 39
 74402013 1
 74402042 73
 74402088 40
 74402207 8,31,40
 74402208 3
 74402257 61,65
 74402526 60
 74402528 39,60
 74403142 1,5,6,59
 74403324 38,62,69,73
 74403403 39
 74403561 66,68
 74403566 39
 74403572 35,39,57,65,72,74,75,
 76,79
 74404571 41
 74404572 41
 74404574 41
 74404744 40,41
 74404872 40
 74409491 39,60
 74409516 39
 74409779 63,66,68,75,76
 74409780 63,66
 74409801 39,63,75,76
 74409802 39,63
 74412497 43
 74412609 43
 74413136 43
 74420507 10,12
 74420512 10
 74420518 10
 74420520 10
 74420566 9,10
 74420576a 10
 74420610 10
 74420631 10
 74420766 25
 74420778 4,5,9,14,15,16,17,21,
 22,23,24,32,33,35,71,
 81
 74420786 10
 74420853 10
 74420854 10
 74420855 10
 74420876 9
 74420877 9
 74421026 10,23,25,64
 74421240 59
 74422278 59
 74422395 59
 74422565 61,67,69
 74423556 8,11,34,59,60
 74423566 39,63
 74423855 40
 74423939 43
 74423952 42
 74424131 3
 74424132 3

Best.-Nr. Tafel

72000041 63
 72000042a 1,2,3,6,11,40,41,53,
 54,55,56,57,58,60,61,
 63,66,67,68,69,70,71,
 72,75,76,77,78,84
 72000043 1,2,3,23,40,41,60,61,
 63,64,67,71,72,75,76,
 77,78
 72000127 1,60,61
 72000131 60
 72000293 61
 72000607 1,60,61,63
 72200201 35
 72200735 25a
 72201139 62
 72500497 1
 72500520b 1,25,53,54,55,56,57,
 58,60,61,63,66,68,
 70,84
 73900076 36
 73900085 88
 73900163 1,64,75
 73900253 50
 73900297 39,42,59,85,88
 73900298 10,42,43,47,88
 73900305 46
 73900311 47,48
 73900347 35,38,60
 73900595 1,5,11,12,13,25a,40,
 63,64,71,75
 73900878 3,4,30,42,59,85
 73901108 7,73
 73901171a 29,86
 73905012 36
 73905024 18,20
 73905105 9,52
 73905347 73
 74100481 2
 74100481k 2
 74100799 63
 74102600 45
 74200036 7
 74200804 30,42
 74201461 10
 74201475 61
 74201535 42
 74201708 23,76,78
 74201741 64
 74201795 11
 74202036 5,23,76,78
 74202163 61
 74202175 68,70
 74202238 41,59,62,70,80,85
 74202656 43
 74202699 42
 74203017 72
 74203018 72
 74203040 72
 74203114 72
 74203137 72

Best.-Nr. Tafel

74203148 72
 74203157 72
 74203210 72
 74203255 61
 74203275 72
 74205027 1
 74205038 68,70
 74205098 1,2,3,23,41,63,74,76
 74205110 1,60
 74205110a 1,60
 74205374 25
 74206195 41
 74206318 62
 74206320 62
 74206431 6,11
 74207331 72
 74207340 76,78
 74221459 77
 74221503a 77
 74221504 77
 74221511a 77
 74221514 77
 74221574 4,30,42
 74221623 13,37,59,67,74,77,85
 74221996 24,53,54,55,56,57,58,
 83,84
 74223001 61
 74240121 1
 74240188 40
 74240189 1
 74240277 7,34,57,83
 74240296 2
 74240297 2
 74240298 2
 74240456 6
 74240457 6
 74240766 3
 74240824 42
 74241326 4
 74241342 11
 74241349 4,11
 74241385 5
 74241387 5
 74241392 5
 74241397 5
 74241404 5
 74241406 5
 74241412 5
 74241414 5
 74241414a 5
 74241415 5
 74241415a 5
 74241418 5
 74241422 1,5
 74241516 77
 74241517 4,77
 74241522 77
 74241523 77
 74241524 77
 74241533 4,77

Best.-Nr. Tafel

74241545 4,77
 74241546 4,77
 74241547 4
 74241551 4,77
 74241555 4,77
 74241677 6
 74241679 6
 74241791 6
 74241792 6,11
 74241795 6,11
 74241797 6,11
 74241799 6,11
 74241807 6,11
 74242167 7,24,86
 74242611 79
 74242857 70
 74242875 68
 74242889 25
 74243058 86
 74244586 10
 74255716 14,15,16,17,21,22
 74320506 24
 74401013 1,60,63
 74401017 3,10,23,64,76
 74401107 2
 74401115 38,59,66,85
 74401131 53,54,55,56,57,58,60,
 61,68,70,72,84
 74401155 23,76
 74401176 68,70
 74401236 7
 74401304 25
 74401318 40,64,71,75
 74401339 25
 74401426 4,9,63,64,71,79
 74401492 60,61
 74401509 4,7,10,11,12,13,25a,
 32,34,36,37,41,54,56,
 59,67,68,70,73,74,77,
 80,85
 74401559 12,37
 74401658 11,23,24,76,78
 74401694 23,53,54,55,56,57,58,
 78,83,84
 74401749 79
 74401792a 41
 74401793a 41
 74401793b 41
 74401796 41
 74401816 41,62
 74401819 62,65
 74401820 62,65,68,70
 74401922 41
 74401968 5,7,12,15,16,17,18,
 19,21,22,25,31,32,53,
 54,55,56,57,58,64,66,
 83,84
 74401974 41
 74402013 1
 74402042 75

Best.-Nr. Tafel

74402088 42
 74402207 8,30,42
 74402208 3
 74402257 63,67
 74402526 62
 74402528 41,62
 74403142 1,5,6,33,61
 74403324 40,64,71,75
 74403403 41
 74403561 68,70
 74403566 41
 74403572 37,41,59,67,74,77,80,
 81,82,85
 74403572 85
 74404571 43
 74404572 43
 74404574 43
 74404744 42,43
 74404872 42
 74409491 41,62
 74409516 41
 74409779 65,68,70,81,82
 74409780 65,68
 74409801 41,65,81,82
 74409802 41,65
 74412497 45
 74412609 45
 74413136 45
 74420507 10,13
 74420512 10
 74420518 10
 74420520 10
 74420566 9,10
 74420576a 10
 74420610 10
 74420631 10
 74420766 25
 74420778 4,5,9,12,14,15,16,17,
 21,22,23,24,31,33,34,
 37,73,78,87
 74420786 10
 74420853 10
 74420854 10
 74420855 10
 74420876 9
 74420877 9
 74421026 10,23,25,66
 74421240 61
 74422278 61
 74422395 61
 74422565 63,69,71
 74423556 8,11,33,34,61,62
 74423566 41,65
 74423855 42
 74423939 45
 74423952 44
 74424131 3
 74424132 3
 74424137 86
 74424194 12,30

Best.-Nr. Tafel

74424293 48
 74424336 60
 74424346 30,42
 74424944 3
 74428914 42
 74428939 23
 74441247 50
 74441248 50
 74441819 68,70
 74450241 60
 74450243 4,5,6,8,9,10,11,60,
 68,69,70,71,73,77,78
 74450244 4,5,9,12,25a,40,64,
 69,71,75,77,78
 74450299 43
 74450300 43
 74450537 47
 74450538 48
 74450542 48
 74450685 40
 74461117 45,46,47,48
 74461147 45,46
 74461153 44,45,46,47,48
 74600056 1
 74600265 2
 74600272 2
 74600320 73
 74600356a 10
 74600429 10
 74600430 10
 74600450 10,13,79
 74600546 40
 74600657a 6
 74600658 6
 74600659 6
 74600731 7
 74600732 7
 74600737a 7
 74600768 6,8,12,13,14,15,16,
 17,18,21,22,34,35,36,
 37,39,59,63,65,68,70,
 73,77,80,81,82,85,89
 74600822 23
 74600826 13
 74600829 24
 74600846a 12
 74600855 12
 74600860 12
 74600863a 12
 74600864a 12
 74600865a 12
 74600875a 12
 74600878 12
 74600879 5,8,12,23,31,52,69,
 71,77,81,82
 74600889 12
 74600891 12
 74600893a 12
 74600932 12
 74600937 12

Best.-Nr. Tafel

74600938 12
 74600943 12
 74600944 12
 74600977 12
 74601033 4,6,12,32,37,41,73
 74601077 4,60,68,70
 74601204 61
 74601207 68,70
 74601212 4,7,25,53,54,55,56,
 57,58,62,66,72,83,84,
 86
 74601315 5,79
 74601327 11
 74601328 11
 74601331 11
 74601334 11
 74601372b 52
 74601375 78
 74601416 1
 74601416a 23,78
 74601495 24
 74601547 4,6,34,77
 74601631 3
 74601692 60
 74601793 51
 74601794 51
 74601903 7
 74602024 41
 74602040 34
 74602208 8,39
 74602241 1
 74602303 9
 74602326 9
 74602328 9
 74602329 9
 74602623 44,45,46,47
 74602705 50
 74602779 46
 74603206 3
 74603213 3
 74603215 3
 74603216 3
 74603217 3
 74603221 3
 74603241 3
 74603249 3
 74603259 3,4
 74603265 19
 74605018 42
 74605020 42
 74605425 88
 74605506 88
 74610598 60
 74610608 60,63
 74610631k 60
 74610636 60
 74610637 60
 74610651 60
 74610658 60
 74610661 60

Best.-Nr. Tafel

74424137 80
 74424194 31
 74424293 46
 74424336 58
 74424346 31,40
 74424944 3
 74428914 40
 74428939 23
 74441247 48
 74441248 48
 74441819 66,68
 74450241 58
 74450243 4,5,6,8,9,10,11,58,
 66,67,68,69,71,74
 74450244 4,5,9,26,38,62,67,69,
 73,74
 74450299 41
 74450300 41
 74450537 45
 74450538 46
 74450542 46
 74450685 38
 74461117 43,44,45,46
 74461147 43,44
 74461153 42,43,44,45,46
 74600056 1
 74600265 2
 74600272 2
 74600320 71
 74600356a 10
 74600429 10
 74600430 10
 74600450 10
 74600546 38
 74600657a 6
 74600658 6
 74600659 6
 74600731 7
 74600732 7
 74600737a 7
 74600768 6,8,14,15,16,17,18,
 21,22,33,34,35,36,37,
 39,57,61,63,66,68,71,
 74,75,76,79,83
 74600822 23
 74600826 12
 74600829 24
 74600840 12
 74600855 12
 74600863a 12
 74600864a 12
 74600865a 12
 74600879 5,8,23,32,50,67,69,
 74,75,76
 74600893a 12
 74600981 13
 74601033 4,6,32,35,39,71
 74601077 4,58,66,68
 74601204 59
 74601207 66,68

Best.-Nr. Tafel

74601212 4,7,25,51,52,53,54,
 55,56,60,64,70,77,78,
 80
 74601315 5
 74601327 11
 74601328 11
 74601331 11
 74601334 11
 74601372b 50
 74601416 1
 74601416a 23
 74601495 24
 74601547 4,6,34,74
 74601631 3
 74601692 58
 74601793 49
 74601794 49
 74601903 7
 74602024 39
 74602040 33
 74602208 8,37
 74602241 1
 74602303 9
 74602326 9
 74602328 9
 74602329 9
 74602623 42,43,44,45
 74602705 48
 74602779 44
 74603206 3
 74603213 3
 74603215 3
 74603216 3
 74603217 3
 74603221 3
 74603241 3
 74603249 3
 74603259 3,4
 74603265 19
 74605018 40
 74605020 40
 74605425 82
 74605506 82
 74610598 58
 74610608 58,61
 74610631k 58
 74610636 58
 74610637 58
 74610651 58
 74610658 58
 74610661 58
 74610921 57,79
 74610922 57,79
 74611017 22
 74611053 73
 74611055 70
 74611056 73
 74611056a 73
 74611057 73
 74611214 75,76

Best.-Nr. Tafel

74611277 23
 74611287 64
 74611295 64
 74611327 65
 74611331 65
 74611448 6
 74611551 40
 74611858 23
 74612147 71
 74612158 71
 74612165 71
 74612897 34
 74640006 14,15,16,17,18,19,20
 74640014 14,15,16,17,21,22
 74640017 14,15,16,17,21,22
 74640021 14,15,16,17,21,22
 74640023 16
 74640024 14
 74640027 15,16,17,18,19,21,22
 74640061 21
 74640062 21
 74640063 21
 74640066 21,22
 74640067 21,22
 74640074 15,16,17,18,21,22,51,
 52,53,54,55,56,77,78
 74640075 16
 74640091 15,16,17,18,19,21,22
 74640098 15,16,17,18,19,21,22
 74640100 15,16,17,18,19,21,22,
 51,52,53,54,55,56,77,
 78,80,82
 74640118a 14,15,16,17,18,19,20,
 21,22
 74640119 15,16,17,18,19,21,22
 74640164 14
 74640201 22
 74640202 22
 74640203 22
 74640221 16,19,21
 74640222 19
 74640310 17
 74640323 15,17
 74640325 15,17,18,22
 74640338 15,18,51,53,56,78
 74640351 18,20
 74640353 18
 74640354 18
 74640376 7
 74640378 7,24,57,75,76,79,80
 74640379 7,14,15,16,17,18,21,
 22,27,28,29,57,75,76,
 79,80
 74640398 21,22
 74640401 21
 74640412 19
 74640419 19,21,22
 74640446 22
 74640505 19
 74640509 19

Best.-Nr. Tafel

74610921 59,85
 74610922 59,85
 74611017 22
 74611053 75
 74611055 72
 74611056 75
 74611056a 75
 74611057 75
 74611214 81,82
 74611277 23,76,78
 74611287 66
 74611295 66
 74611327 67
 74611331 67
 74611448 6
 74611551 42
 74611858 23
 74612147 73
 74612158 73
 74612165 73
 74612897 34
 74640006 14,15,16,17,18,19,20
 74640014 14,15,16,17,21,22
 74640017 14,15,16,17,21,22
 74640021 14,15,16,17,21,22
 74640023 16
 74640024 14
 74640027 15,16,17,18,19,21,22
 74640039 37
 74640061 21
 74640062 21
 74640063 21
 74640066 21,22
 74640067 21,22
 74640074 15,16,17,18,21,22,53,
 54,55,56,57,58,83,84
 74640075 16
 74640091 15,16,17,18,19,21,22
 74640098 15,16,17,18,19,21,22
 74640100 15,16,17,18,19,21,22,
 53,54,55,56,57,58,83,
 84,86,88
 74640118a 14,15,16,17,18,19,20,
 21,22
 74640119 15,16,17,18,19,21,22
 74640164 14
 74640201 22
 74640202 22
 74640203 22
 74640221 16,19,21
 74640222 19
 74640310 17
 74640323 15,17
 74640325 15,17,18,22
 74640338 15,18,53,55,58,84
 74640351 18,20
 74640353 18
 74640354 18
 74640376 7
 74640378 7,24,59,81,82,85,86

Best.-Nr. Tafel

74640379 7,14,15,16,17,18,21,
 22,26,27,28,59,79,80,
 81,82,85,86
 74640398 21,22
 74640401 21
 74640412 19
 74640419 19,21,22
 74640446 22
 74640505 19
 74640509 19
 74640511 19,78
 74640513 19
 74640523 19,78
 74640527 19,78
 74640528 19
 74640530 19
 74640645 15,16,17,18
 74641406a 52
 74650495 37
 74650517 26,27,28,66,81,82
 74650555 26,27,28,73
 74650562 26,27,28,81,82
 74650563 26,27,28,81,82
 74650636 29,86
 74650985 26,27,28,81,82
 74650989 26,27,28
 74660651 23,78
 74660687 51
 74660691 89
 74660692 89
 74660733 3
 74660743 3
 74660807 23,76
 74660819 23
 74660848 24
 74660874 23
 74660974 61
 74660975 61
 74661456 77
 74680011 66
 74680153 53,55
 74680162 53,55
 74680166 53,54,55,56,57,58,83,
 84
 74680173 53,54,55,56,57,58,83,
 84
 74680186 53,55
 74680190 53,54,55,56,57,58,83,
 84
 74680201 53
 74680202k 53
 74680206 53,54,55,56,57,58,83,
 84
 74680211 24,53,55
 74680212 53,54,55,56,57,58,83,
 84
 74680216 53,55,58,84
 74680222 53,54,55,56
 74680231 53,54,57,83
 74680232 53,54,58,84

Best.-Nr. Tafel

74680233 53,54,55,56,57,58,83,
 84,86,88
 74680235 53,54,55,56,57,58,83,
 84,86
 74680236 53,54,55,56,57,58,83,
 84,86
 74680251 59,85
 74680252 59,85
 74680256 59,85
 74680273 59,85
 74680281 53,55,58,84
 74680283 53,55,58,84
 74680287 53,55,58,84
 74680303 54,56
 74680310 54,56
 74680311 54,56
 74680315 54,57,83
 74680316a 54,57,83
 74680317 54,56,57,58,84
 74680321 54,56,57,58,83,84
 74680323 54,56
 74680326 54,56
 74680916 63
 74690308 26,27,28
 74690312 2,26,27,28,81,82
 74690365 26,27,28
 74690366 26,27,28,81,82
 74690393a 29
 74690401 29
 74690406 29,86
 74690421 29
 74690422 86
 74690455 29
 74800294 24
 79101081 51
 79101085 51
 79101086 51
 79101091 51
 79101093a 51
 79101094 51
 79101095 51
 79101096 51
 79200857 17
 79205014 4
 79205021 4
 79205022 4
 79205041 4
 79205045 4
 79205049 4
 79205051 4
 79205054 4
 79205056 4
 79205061 4
 79205066 4
 79205068 4
 79205073 4
 79205081 4
 79205085 4
 79205091 4
 79205101 4

Best.-Nr. Tafel

74640511 19
 74640513 19
 74640523 19
 74640527 19
 74640528 19
 74640530 19
 74640645 15,16,17,18
 74641406a 50
 74650495 35
 74650517 27,28,29,64,75,76
 74650555 27,28,29,71
 74650562 27,28,29,75,76
 74650563 27,28,29,75,76
 74650636 30,80
 74650985 27,28,29,75,76
 74650989 27,28,29
 74660651 23
 74660668 12
 74660687 49
 74660691 83
 74660692 83
 74660733 3
 74660743 3
 74660807 23
 74660819 23
 74660848 24
 74660874 23
 74660974 59
 74660975 59
 74661456 74
 74680011 64
 74680153 51,53
 74680162 51,53
 74680166 51,52,53,54,55,56,77,
78
 74680173 51,52,53,54,55,56,77,
78
 74680186 51,53
 74680190 51,52,53,54,55,56,77,
78
 74680201 51
 74680202k 51
 74680206 51,52,53,54,55,56,77,
78
 74680211 24,51,53
 74680212 51,52,53,54,55,56,77,
78
 74680216 51,53,56,78
 74680222 51,52,53,54
 74680231 51,52,55,77
 74680232 51,52,56,78
 74680233 51,52,53,54,55,56,77,
78,80,82
 74680235 51,52,53,54,55,56,77,
78,80
 74680236 51,52,53,54,55,56,77,
78,80
 74680251 57,79
 74680252 57,79
 74680256 57,79

Best.-Nr. Tafel

74680273 57,79
 74680281 51,53,56,78
 74680283 51,53,56,78
 74680287 51,53,56,78
 74680303 52,54
 74680310 52,54
 74680311 52,54
 74680315 52,55,77
 74680316a 52,55,77
 74680317 52,54,55,56,78
 74680321 52,54,55,56,77,78
 74680323 52,54
 74680326 52,54
 74680916 61
 74690308 27,28,29
 74690312 2,27,28,29,75,76
 74690365 27,28,29
 74690366 27,28,29,75,76
 74690393a 30
 74690401 30
 74690406 30,80
 74690421 30
 74690422 80
 74690455 30
 74800294 24
 79101081 49
 79101085 49
 79101086 49
 79101091 49
 79101093a 49
 79101094 49
 79101095 49
 79101096 49
 79200857 17
 79205014 4
 79205021 4
 79205022 4
 79205041 4
 79205045 4
 79205049 4
 79205051 4
 79205054 4
 79205056 4
 79205061 4
 79205066 4
 79205068 4
 79205073 4
 79205081 4
 79205085 4
 79205091 4
 79205101 4
 79205102 4
 79205103 4
 79205107 4
 79205111 4
 79205121 4
 79205123 4
 79205127 4
 79205128 4
 79205141 5

Best.-Nr. Tafel

79205150 5
 79205153 5
 79205161 5
 79205165 5
 79205191 31
 79205196 31
 79205271 4
 79205273 4
 79205305 4
 79205335 4
 79205393 6
 79205394 6
 79205397 6
 79205399 6
 79205421 6
 79205446 11,13
 79205473 6
 79205475 6
 79205481 6
 79205494 6
 79205511 6
 79205541 7
 79205542 7
 79205543 7
 79205562 7
 79205571 7
 79205573 7
 79205581 7
 79205582 7
 79205583 7
 79205584 7
 79205585 7
 79205586 7
 79205587 7
 79205588 7
 79205589 7
 79205590 7
 79205593 7
 79205594 7
 79205595 7
 79205596 7
 79205601 7
 79205622 8
 79205641 8
 79205649 8
 79205671 8
 79205701 5
 79205703 5
 79205706 5
 79205714 5
 79205717 5
 79205720 5
 79205721 5
 79205724 5
 79205729 5
 79205731 4
 79205752 4
 79205757 4
 79205761 4
 79205762 4

Best.-Nr. Tafel

79205102 4
 79205103 4
 79205107 4
 79205111 4
 79205121 4
 79205123 4
 79205127 4
 79205128 4
 79205141 5
 79205150 5
 79205153 5
 79205161 5
 79205165 5
 79205191 30
 79205196 30
 79205271 4
 79205273 4
 79205305 4
 79205335 4
 79205393 6
 79205394 6
 79205397 6
 79205399 6
 79205421 6
 79205446 11
 79205473 6
 79205475 6
 79205481 6
 79205494 6
 79205511 6
 79205541 7
 79205542 7
 79205543 7
 79205562 7
 79205571 7
 79205573 7
 79205581 7
 79205582 7
 79205583 7
 79205584 7
 79205585 7
 79205586 7
 79205587 7
 79205588 7
 79205589 7
 79205590 7
 79205593 7
 79205594 7
 79205595 7
 79205596 7
 79205601 7
 79205622 8
 79205641 8
 79205649 8
 79205671 8
 79205701 5
 79205703 5
 79205706 5
 79205714 5
 79205717 5

Best.-Nr. Tafel

79205720 5
 79205721 5
 79205724 5
 79205729 5
 79205731 4
 79205752 4
 79205757 4
 79205761 4
 79205762 4
 79205766 4
 79205767 37
 79205781 4
 79205782 4
 79205922 5
 79205923 5
 79205941 7
 79205944 7, 78, 86
 79205951 7, 86
 79205954 7, 86
 79205958 7, 86
 79205961 7, 86
 79205963 7, 86
 79205965 7, 86
 79205966 7, 86
 79206001 9
 79206005 10
 79206006 9
 79206015 9
 79206019 9
 79206021 9
 79206031 9
 79206041 9
 79206056 9
 79206058 4, 9
 79206069 9
 79206081 9
 79206088 9
 79206094 9
 79206099 9
 79206100 9
 79206104 9
 79206131 9
 79206146 9
 79206148 4
 79206151 9
 79206153 9
 79206159 9
 79206163 18
 79206171 10
 79206182 10
 79206187 10
 79206193a 10
 79206201 10
 79206211 10
 79206212 10
 79206218 10
 79206222 10
 79206231 10
 79206241 10
 79206246 10

Best.-Nr. Tafel

79206251 10
 79206262 10
 79206268 10
 79206272 10
 79206274 10
 79206292 10
 79206295 10
 79206672 12
 79207036 11
 79207121 12
 79207161 12, 13
 79207165 12, 13
 79207167 13
 79207169 12, 13
 79207222 11
 79207227 11
 79207228 11
 79207230 11
 79207234 6
 79207234a 11, 54, 56
 79207238 11
 79207258 11
 79207261 11
 79207275 13
 79207301 11
 79207302 11
 79207303 11
 79207306 11
 79207401 40
 79207408 40
 79207411 40
 79207414 40
 79207505 12
 79207507 13
 79207513 12
 79207515 13
 79207541 12
 79207542 13
 79207571 12
 79207589 12
 79207621 13
 79207625 12
 79207628 13
 79207641 12
 79207661 12
 79207671 12
 79207683 12
 79207684 12
 79207685 12
 79207686 12
 79207692 12
 79207693 12
 79207695 12
 79207696 12
 79207701 12
 79207731 12
 79207738 12
 79207741 13
 79207742 12
 79207761 12

Best.-Nr. Tafel

79205766 4
 79205767 35
 79205781 4
 79205782 4
 79205922 5
 79205923 5
 79205941 7
 79205944 7,80
 79205951 7,80
 79205954 7,80
 79205958 7,80
 79205961 7,80
 79205963 7,80
 79205965 7,80
 79205966 7,80
 79206001 9
 79206005 10
 79206006 9
 79206015 9
 79206019 9
 79206021 9
 79206031 9
 79206041 9
 79206056 9
 79206058 4,9
 79206069 9
 79206081 9
 79206088 9
 79206094 9
 79206099 9
 79206100 9
 79206104 9
 79206131 9
 79206146 9
 79206148 4
 79206151 9
 79206153 9
 79206159 9
 79206163 18
 79206171 10
 79206182 10
 79206187 10
 79206193a 10
 79206201 10
 79206211 10
 79206212 10
 79206218 10
 79206222 10
 79206231 10
 79206241 10
 79206246 10
 79206251 10
 79206262 10
 79206268 10
 79206272 10
 79206274 10
 79206292 10
 79206295 10
 79207036 11
 79207091 12

Best.-Nr. Tafel

79207092 12
 79207093 12
 79207094 12
 79207111 12
 79207121 12
 79207128 12
 79207161 13
 79207165 13
 79207169 13
 79207177 13
 79207178 13
 79207191 13
 79207192 13
 79207193 13
 79207194 13
 79207201 13
 79207202 13
 79207203 13
 79207206 13
 79207211 13
 79207212 13
 79207222 11
 79207227 11
 79207228 11
 79207230 11
 79207234 6
 79207234a 11,52,54
 79207238 11
 79207258 11
 79207261 11
 79207271 13
 79207275 13
 79207301 11
 79207302 11
 79207303 11
 79207306 11
 79207401 38
 79207408 38
 79207411 38
 79207414 38
 79207771 2
 79207802 11
 79207805 11
 79207811 11
 79207812 11
 79207821 11
 79207823 11
 79207828 11
 79207831 11
 79207835 11
 79208010 14,15,16,17,18,19,21,
 22
 79208053 14
 79208055 14
 79208057 14,16,19
 79208063 14,16,21
 79208065 14,16,17,18,19,20,21,
 22
 79208066 14,15,16,17,18,19,20,
 21,22

Best.-Nr. Tafel

79208091 14
 79208153 14,20
 79208157 14,15,18,20
 79208163 15,17,20,22
 79208211 15,17,18,22
 79208225 15,17,18
 79208226 15,16,17,18
 79208229 16
 79208311 15,18,51,53,56,78
 79208321 15,18,51,53,56,78
 79208326 15,18,51,53,56,78
 79208328 15,18,51,53,56,78
 79208334 15,18,51,53,56,78
 79208406 16,19,21
 79208801 19
 79208802 19
 79208803 19
 79208834 19,21,22
 79208835 19,21,22
 79208847 19
 79208853 20
 79208855 20
 79208931 21
 79209039 22
 79209065 15
 79210001 14
 79210003 14
 79210005 14,16
 79210021 14,16,21
 79210051 14
 79210054 14
 79210061 14,15,16,17,21,22
 79210153 14
 79210155 14,15,17
 79210171 14,15,17,22
 79210201 14
 79210303 15
 79210311 15,17,18
 79210321 15,17,22
 79210331 15,16,17,18,21,22
 79210351 15,17,18
 79210372 15,16,17,18,19,21,22
 79210373 15,16,17,21,22
 79210501 16
 79210503 16
 79210511 16
 79210521 16,21
 79210551 16
 79210653 17
 79210701 18
 79210703 18
 79210705 18
 79210711 18
 79210901 21
 79210903 21
 79210905 21
 79210916 21
 79210917 21
 79210921 21
 79210951 21

Best.-Nr. Tafel

79207762 12
 79207771 2
 79207802 11
 79207805 11
 79207811 11
 79207812 11
 79207821 11
 79207823 11
 79207828 11
 79207831 11
 79207835 11
 79207871 13
 79207873 13
 79207874 13
 79207880 13
 79208010 14, 15, 16, 17, 18, 19, 21,
 22
 79208053 14
 79208055 14
 79208057 14, 16, 19
 79208063 14, 16, 21
 79208065 14, 16, 17, 18, 19, 20, 21,
 22
 79208066 14, 15, 16, 17, 18, 19, 20,
 21, 22
 79208091 14
 79208153 14, 20
 79208157 14, 15, 18, 20
 79208163 15, 17, 20, 22
 79208211 15, 17, 18, 22
 79208225 15, 17, 18
 79208226 15, 16, 17, 18
 79208229 16
 79208311 15, 18, 53, 55, 58, 84
 79208321 15, 18, 53, 55, 58, 84
 79208326 15, 18, 53, 55, 58, 84
 79208328 15, 18, 53, 55, 58, 84
 79208334 15, 18, 53, 55, 58, 84
 79208406 16, 19, 21
 79208801 19
 79208802 19
 79208803 19
 79208834 19, 21, 22
 79208835 19, 21, 22
 79208847 19
 79208853 20
 79208855 20
 79208931 21
 79209039 22
 79209065 15
 79210001 14
 79210003 14
 79210005 14, 16
 79210021 14, 16, 21
 79210051 14
 79210054 14
 79210061 14, 15, 16, 17, 21, 22
 79210153 14
 79210155 14, 15, 17
 79210171 14, 15, 17, 22

Best.-Nr. Tafel

79210201 14
 79210303 15
 79210311 15, 17, 18
 79210321 15, 17, 22
 79210331 15, 16, 17, 18, 21, 22
 79210351 15, 17, 18
 79210372 15, 16, 17, 18, 19, 21, 22
 79210373 15, 16, 17, 21, 22
 79210501 16
 79210503 16
 79210511 16
 79210521 16, 21
 79210551 16
 79210653 17
 79210701 18
 79210703 18
 79210705 18
 79210711 18
 79210901 21
 79210903 21
 79210905 21
 79210916 21
 79210917 21
 79210921 21
 79210951 21
 79211003 22
 79211005 22
 79211016 22
 79211021 22
 79211051 22
 79215093 63
 79215111 63
 79220305 77
 79220308 77
 79220315 4
 79220318 4
 79221174 8, 30
 79300243 11
 79300316 4, 11, 12, 13
 79303508 36, 52, 81, 82
 79310301 15
 79320005 25
 79320006 25
 79320022 25
 79320029 25
 79320033 25
 79320036 25
 79320055 25
 79320092 23, 76
 79320101 23, 76
 79320122 23, 76, 78
 79320126 23, 76
 79320128 23, 76, 78
 79320135 23, 76, 78
 79320140 23, 78
 79320141 24
 79320144 24
 79320147 24
 79320151 24
 79320171 24

Best.-Nr. Tafel

79320172 24
 79320175 24
 79320178 24
 79320183 24
 79320186 24
 79320191 24
 79320222 23, 76
 79320237 23, 76, 78
 79320502 23
 79320509 24
 79320513 24
 79320521 24
 79320526 24
 79320535 24
 79320538 23, 78
 79320545 23
 79320551 23, 78
 79320561 23, 78
 79320572 23
 79320575 23
 79320577 23
 79320601 25a
 79320603 25a
 79320607 25a
 79320610 25a, 78
 79320612 25a
 79320614 25a
 79320616 25a
 79320618 25a
 79320641 25a
 79320642 25a
 79320644 25a
 79320648 25a
 79320649 25a
 79321001 76
 79321011 76, 78
 79321022 76, 78
 79321023 76, 78
 79321024 76, 78
 79321025 76, 78
 79321026 76, 78
 79321027 76, 78
 79321061 76
 79321062 76
 79321063 76
 79321064 76
 79321081 76, 78
 79321201 78
 79321208 79
 79321212 79
 79321221 79
 79321223 79
 79321231 79
 79321236 79
 79321251 79
 79321261 79
 79321266 79
 79321271 79
 79321272 79
 79321273 79

Best.-Nr. Tafel

79211003 22
 79211005 22
 79211016 22
 79211021 22
 79211051 22
 79215093 61
 79215111 61
 79220305 74
 79220308 74
 79220315 4
 79220318 4
 79221174 8,31
 79300243 11
 79300316 4,11,13
 79303508 33,50,75,76
 79310301 15
 79320005 25
 79320006 25
 79320022 25
 79320029 25
 79320033 25
 79320036 25
 79320055 25
 79320092 23
 79320101 23
 79320122 23
 79320126 23
 79320128 23
 79320135 23
 79320140 23
 79320141 24
 79320144 24
 79320147 24
 79320151 24
 79320171 24
 79320172 24
 79320175 24
 79320178 24
 79320183 24
 79320186 24
 79320191 24
 79320222 23
 79320237 23
 79320502 23
 79320509 24
 79320513 24
 79320521 24
 79320526 24
 79320535 24
 79320538 23
 79320545 23
 79320551 23
 79320561 23
 79320572 23
 79320575 23
 79320577 23
 79320601 26
 79320603 26
 79320607 26
 79320610 26

Best.-Nr. Tafel

79320612 26
 79320614 26
 79320616 26
 79320618 26
 79320641 26
 79320642 26
 79320644 26
 79320648 26
 79320649 26
 79321428 23
 79324001 50
 79324021 50,75,76
 79324022 50,75,76
 79324024 50
 79324028 50,75,76
 79324031 50
 79324032 50
 79324038 50
 79324044 50
 79324047 50,75,76
 79324051 50
 79324067 50
 79324068 50
 79324072 50
 79324074 50
 79324078 50
 79324531 30
 79324533 30
 79325004 27,28,29
 79325006 27,28,29,75,76
 79325007 27,28,29
 79325008 27,28,29,75,76
 79325018 27,28
 79325026 27
 79325028 27
 79325029 27
 79325030 27
 79325036 27,28,29
 79325037a 27
 79325038a 27
 79325041 27,28,29
 79325044 27,28
 79325045 27,29
 79325046 27,28,29
 79325068 27,28,29
 79325069 27,28,29
 79325071 27,28,29
 79325157 28
 79325158 28
 79325159 28
 79325160 28,29
 79325193 29
 79325195 29
 79325196 29
 79325198 29
 79325199 29
 79325200 29
 79325225 29
 79325273 29
 79325275 29

Best.-Nr. Tafel

79325293 27
 79325295 27
 79325297 30
 79325299 30
 79325303 27
 79325305 27
 79325307 30
 79325309 30
 79325317 30
 79325319 30
 79325333 28
 79325335 28
 79325337 30
 79325339 30
 79325343 29
 79325363 27
 79325365 27
 79325367 30
 79325369 30
 79325377 30
 79325379 30
 79325393 28
 79325395 28
 79325397 30
 79325399 30
 79325403 29
 79325405 29
 79325407 30
 79325409 30
 79325413 27
 79325415 27
 79325417 30
 79325419 30
 79325424 30
 79325433 27
 79325435 27
 79325453 27
 79325455 27
 79325457 30
 79325459 30,80
 79325467 30
 79325469 30
 79325473 28
 79325475 28
 79325477 30
 79325479 30
 79325487 30
 79325489 30
 79325493 27
 79325495 27
 79325497 30
 79325499 30,80
 79325507 30
 79325509 30
 79325513 28
 79325515 28
 79325517 30
 79325519 30
 79325527 30
 79325532 30

Best.-Nr. Tafel

79321277 79
 79321291 79
 79321293 79
 79321294 79
 79321311 79
 79321321 79
 79321328 79
 79321331 79
 79321334 79
 79321351 79
 79321352 79
 79321353 79
 79321361 78
 79321363 78
 79321372 78
 79321373 78
 79321401 78
 79321403 78
 79321408 78
 79321423 78
 79321428 23,76
 79324001 52
 79324021 52,81,82
 79324022 52,81,82
 79324024 52
 79324028 52,81,82
 79324031 52
 79324032 52
 79324038 52
 79324044 52
 79324047 52,81,82
 79324051 52
 79324067 52
 79324068 52
 79324072 52
 79324074 52
 79324078 52
 79324531 29
 79324533 29
 79325004 26,27,28
 79325006 26,27,28,81,82
 79325007 26,27,28
 79325008 26,27,28,79,81,82
 79325018 26,27
 79325026 26
 79325028 26
 79325029 26
 79325030 26
 79325036 26,27,28
 79325037a 26
 79325038a 26
 79325041 26,27,28
 79325044 26,27
 79325045 26,28
 79325046 26,27,28
 79325068 26,27,28
 79325069 26,27,28
 79325071 26,27,28
 79325157 27
 79325158 27

Best.-Nr. Tafel

79325159 27
 79325160 27,28
 79325193 28
 79325195 28
 79325196 28
 79325198 28
 79325199 28
 79325200 28
 79325225 28
 79325273 28
 79325275 28
 79325293 26
 79325295 26
 79325297 29
 79325299 29
 79325303 26
 79325305 26
 79325307 29
 79325309 29
 79325317 29
 79325319 29
 79325333 27
 79325335 27
 79325337 29
 79325339 29
 79325343 28
 79325363 26
 79325365 26
 79325367 29
 79325369 29
 79325377 29
 79325379 29
 79325393 27
 79325395 27
 79325397 29
 79325399 29
 79325403 28
 79325405 28
 79325407 29
 79325409 29
 79325413 26
 79325415 26
 79325417 29
 79325419 29
 79325424 29
 79325433 26
 79325435 26
 79325453 26
 79325455 26
 79325457 29
 79325459 29,86
 79325467 29
 79325469 29
 79325473 27
 79325475 27
 79325477 29
 79325479 29
 79325487 29
 79325489 29
 79325493 26

Best.-Nr. Tafel

79325495 26
 79325497 29
 79325499 29,86
 79325507 29
 79325509 29
 79325513 27
 79325515 27
 79325517 29
 79325519 29
 79325527 29
 79325532 29
 79325534 29
 79325543 26
 79325545 26
 79325547 29
 79325549 29
 79325553 28
 79325555 28
 79325557 29
 79325559 29
 79325563 27
 79325565 27
 79325567 29
 79325569 29
 79325573 28
 79325575 28
 79325577 29
 79325579 29
 79325583 27
 79325585 27
 79325587 29
 79325589 29
 79325833 28
 79325835 28
 79325837 29
 79325839 29
 79325843 27
 79325845 27
 79325849 29
 79327001 86
 79327002 86
 79327031 86
 79327032 86
 79327061 86
 79327062 86
 79327101 86
 79327102 86
 79327104 86
 79327112 86
 79327113 86
 79327121 86
 79327122 86
 79327141 86
 79327142 86
 79327148 86
 79327151 86
 79327152 86
 79327202 86
 79327203 86
 79327208 86

Best.-Nr. Tafel

79325534 30
 79325543 27
 79325545 27
 79325547 30
 79325549 30
 79325553 29
 79325555 29
 79325557 30
 79325559 30
 79325563 28
 79325565 28
 79325567 30
 79325569 30
 79325573 29
 79325575 29
 79325577 30
 79325579 30
 79325583 28
 79325585 28
 79325587 30
 79325589 30
 79325833 29
 79325835 29
 79325837 30
 79325839 30
 79325843 28
 79325845 28
 79325849 30
 79327001 80
 79327002 80
 79327031 80
 79327032 80
 79327061 80
 79327062 80
 79327101 80
 79327102 80
 79327104 80
 79327112 80
 79327113 80
 79327121 80
 79327122 80
 79327141 80
 79327142 80
 79327148 80
 79327151 80
 79327152 80
 79327202 80
 79327203 80
 79327208 80
 79327211 80
 79327214 80
 79327221 80
 79327226 80
 79327229 80
 79327232 80
 79327233 80
 79327244 80
 79327301 80
 79327307 80
 79327401 75

Best.-Nr. Tafel

79327402 75
 79327405 76
 79327406 76
 79327411 75
 79327412 75
 79327415 76
 79327416 76
 79327503 75
 79327505 75
 79327506 75
 79327512 75,76
 79327517 75,76
 79327521 75,76
 79327523 75,76
 79327525 75,76
 79327531 75
 79327535 75,76
 79327539 75,76
 79327541 75,76
 79327561 75,76
 79327575 75,76
 79327581 75,76
 79327586 75
 79327587 75
 79327592 75,76
 79327598 75,76
 79327599 75,76
 79327601 75,76
 79327611 75,76
 79327623 75,76
 79327631 75,76
 79327632 75,76
 79327635 75,76
 79327653 76
 79327655 76
 79327656 76
 79327658 76
 79327661 76
 79327662 76
 79327664 76
 79327667 76
 79327721 75,76
 79327724 75
 79327726 75,76
 79327727 76
 79364904 59
 79368394 60,70
 79368395 60,70
 79368404 60,70
 79400112 70
 79400123 60,70
 79400701 66
 79400706 66,68
 79400708 66,68
 79400715 66,68
 79400724 66,67,68,69
 79400725 67,69
 79400728 67,69
 79400743 67,69
 79400748 67,69

Best.-Nr. Tafel

79400751 67,69
 79400752 67,69
 79400753 67,69
 79400761 61
 79400762 67,69
 79400767 66,68
 79400771 66,68
 79400774 66,68
 79400777 67,69
 79400779 67,69
 79400801 67,69
 79400802 67,69
 79400806 67,69
 79400808 67,69
 79400813 67,69
 79400816 67,69
 79400843 67
 79400845 67,69
 79400851 67,69
 79400857 66,68
 79400861 66,68
 79400866 66,68
 79400871 66,68
 79400881 67,69
 79400883 66,68
 79400915 67,69
 79400916 67,69
 79401004 64
 79401006 64
 79401008 64
 79401011 64
 79401014 64
 79401021 64
 79401029 64
 79401031 64
 79401049 64
 79401071 64
 79401076 64
 79401078 64
 79401086 65
 79401087 65
 79401091 65
 79401093 65
 79401111 65
 79401126 65
 79401201 64
 79401314 71
 79401316 71
 79401521 72
 79401529 72
 79401541 72
 79401542 72
 79401801 58,59
 79401806 58,61
 79401835 58
 79401886 59
 79401889 59
 79402001 82
 79402005 82
 79402006 82

Best.-Nr. Tafel

79327211 86
 79327214 86
 79327221 86
 79327226 86
 79327229 86
 79327232 86
 79327233 86
 79327244 86
 79327301 86
 79327307 86
 79327401 81
 79327402 81
 79327405 82
 79327406 82
 79327411 81
 79327412 81
 79327415 82
 79327416 82
 79327503 81
 79327505 81
 79327506 81
 79327512 81,82
 79327517 81,82
 79327521 81,82
 79327523 81,82
 79327525 81,82
 79327531 81
 79327535 81,82
 79327539 81,82
 79327541 81,82
 79327561 81,82
 79327575 81,82
 79327581 81,82
 79327586 81
 79327587 81
 79327592 81,82
 79327598 81,82
 79327599 81,82
 79327601 81,82
 79327611 81,82
 79327623 81,82
 79327631 81,82
 79327632 81,82
 79327635 81,82
 79327653 82
 79327655 82
 79327656 82
 79327658 82
 79327661 82
 79327662 82
 79327664 82
 79327667 82
 79327721 81,82
 79327724 81
 79327726 81,82
 79327727 82
 79364904 61
 79368394 62,72
 79368395 62,72
 79368404 62,72

Best.-Nr. Tafel

79400112 72
 79400123 62,72
 79400701 68
 79400706 68,70
 79400708 68,70
 79400715 68,70
 79400724 68,69,70,71
 79400725 69,71
 79400728 69,71
 79400743 69,71
 79400748 69,71
 79400751 69,71
 79400752 69,71
 79400753 69,71
 79400761 63
 79400762 69,71
 79400767 68,70
 79400771 68,70
 79400774 68,70
 79400777 69,71
 79400779 69,71
 79400801 69,71
 79400802 69,71
 79400806 69,71
 79400808 69,71
 79400813 69,71
 79400816 69,71
 79400843 69
 79400845 69,71
 79400851 69,71
 79400857 68,70
 79400861 68,70
 79400866 68,70
 79400871 68,70
 79400881 69,71
 79400883 68,70
 79400915 69,71
 79400916 69,71
 79401004 66
 79401006 66
 79401008 66
 79401011 66
 79401014 66
 79401021 66
 79401029 66
 79401031 66
 79401049 66
 79401071 66
 79401076 66
 79401078 66
 79401086 67
 79401087 67
 79401091 67
 79401093 67
 79401111 67
 79401126 67
 79401201 66
 79401314 73
 79401316 73
 79401521 74

Best.-Nr. Tafel

79401529 74
 79401541 74
 79401542 74
 79401801 60,61
 79401806 60,63
 79401886 61
 79401889 61
 79401895 60
 79402001 88
 79402005 88
 79402006 88
 79402101 75
 79402103 64,71,75
 79402111 64
 79402151 75
 79402155 75
 79402168 64,75
 79402211 72
 79402213 72
 79402241 72
 79402252 69,71
 79402291 70
 79402297 71
 79402298 71
 79402299 71
 79402305 71
 79402307 71
 79402308 71
 79402315 70
 79402335 65
 79402401 36
 79402404 36
 79402405 36
 79402415 36
 79402424 36
 79402434 36
 79402452 36
 79402453 36
 79402454 36
 79402455 36
 79402457 36
 79402556 73
 79402557 73
 79402594 73
 79402594a 73
 79402595 73
 79402596 73
 79402597 73
 79402599 73
 79402599a 73
 79402601 73
 79402609 73
 79402614 73
 79402641 73
 79402642 73
 79402651 73
 79402655 73
 79402656 73
 79402731 74
 79402737 74

Best.-Nr. Tafel

79402741 74
 79402747 74
 79402901 73
 79402909 73
 79402910 73
 79403001 23
 79403145 88
 79403505 59,85
 79403507 59,85
 79404001 53
 79404032 53,55
 79404038 53,55
 79404045a 53,54,55,56,57,58,83,
 84
 79404047 53,54,55,56,57,58,83,
 84
 79404129 59,85
 79404130 59,85
 79404501 54
 79404512 54,56,57
 79404520 54,56,57,58,83,84
 79404522 54,56,57,83
 79404601 55
 79404603 55,56,57
 79404605 55,84
 79404609 55,84
 79404610 55,56
 79404701 56
 79404705 56
 79404709 56
 79404806 57,83
 79404813 57,83
 79404815 57,58,84
 79404837 53,54,55,56,57,58,83,
 84
 79404841 58
 79404844 58
 79404851 81,82
 79404867 59,85
 79404901 57
 79404907 57
 79404913 58,84
 79404922 58,84
 79404926 58,84
 79404931 58
 79404958 59
 79405031 83
 79405044 84
 79405048 83
 79405055 83
 79405061 83
 79405064 83
 79405068 83
 79405131 77
 79405133 77
 79405155 77
 79405156 77
 79405196 77
 79405421 88
 79405423 88

Best.-Nr. Tafel

79405427 88
 79405501 63
 79405513 63
 79405516 63
 79405521 63
 79405522 63
 79405533 63
 79405538 63
 79405546 63
 79405551 63
 79405557 63
 79405563 63
 79405573 63
 79405584 63
 79405595 63
 79405613 63
 79405616 63
 79405621 63
 79405631 63
 79405633 63
 79405655 63
 79405661 63
 79405662 63
 79405681 63
 79405742 64
 79405743 64
 79405745 64
 79405748 64
 79405749 64,75
 79405750 64,75
 79405761 64
 79405763 64
 79405764 64
 79405766 64
 79405901 75
 79405904 75
 79405951 64
 79406151 87
 79406152 87
 79406153 87
 79406154 87
 79406161 87
 79406162 87
 79406163 87
 79406164 87
 79406171 87
 79406172 87
 79406173 87
 79406174 87
 79406177 87
 79406178 87
 79406189 87
 79406191 87
 79406192 87
 79407001 77
 79407005 77
 79407006 77
 79407011 77
 79407013 77
 79407014 77

Best.-Nr. Tafel

79407021 77
 79407022 77
 79407027 77
 79407057 77
 79407071 77
 79407073 77
 79407081 77
 79407083 77
 79407104 77
 79407105 77
 79407121 77
 79407141 77
 79407151 77
 79407157 77
 79407164 77
 79407171 77
 79407172 77
 79442331 71
 79700015 62
 79700020 62,72
 79700111 7
 79700143 62
 79700209 65
 79700210 59,68,70,80,85,86
 79700215 65
 79700240 65
 79700317 41
 79700322 31,41,59,85
 79700331 11,13,37,41,59,67,85
 79700332 74,77,80,81,82
 79700333 34
 79700334 59,85
 79700335 8,41
 79700340 41
 79700405 34
 79700411 4,8,12,37,39,41,65,
 66,67,72
 79700412 8,24,53,54,55,56,57,
 58,68,69,70,71,77,79,
 80,83,84
 79700413 36,73
 79700417 65
 79700891 41
 79700922 41
 79700923 41
 79700925 41
 79700926 41
 79701030 10,66,73,79
 79701032 13
 79701521 63,79
 79701532 53,54,55,56,57,58,83,
 84
 79701541 81
 79701542 82
 79702015 41
 79702016 7,10,12,13,19,24,25,
 26,27,28,33,34,36,37,
 41,59,62,65,67,68,70,
 73,74,77,78,79,80,81,
 82,85,86

Best.-Nr. Tafel

79402101 73
 79402103 62,69,73
 79402111 62
 79402151 73
 79402155 73
 79402168 62,73
 79402201 70
 79402211 70
 79402213 70
 79402241 70
 79402252 67,69
 79402291 68
 79402297 69
 79402298 69
 79402299 69
 79402305 69
 79402307 69
 79402308 69
 79402315 68
 79402335 63
 79402401 33
 79402404 33
 79402405 33
 79402415 33
 79402424 33
 79402432 33
 79402434 33
 79402452 33
 79402453 33
 79402454 33
 79402455 33
 79402457 33
 79402556 71
 79402557 71
 79402594 71
 79402595 71
 79402596 71
 79402597 71
 79402599 71
 79402599a 71
 79402601 71
 79402609 71
 79402614 71
 79402641 71
 79402642 71
 79402651 71
 79402655 71
 79402656 71
 79402731 72
 79402737 72
 79402741 72
 79402747 72
 79402901 71
 79402909 71
 79402910 71
 79403001 23
 79403145 82
 79403505 57,79
 79403507 57,79
 79404001 51

Best.-Nr. Tafel

79404032 51,53
 79404038 51,53
 79404045a 51,52,53,54,55,56,77,
 78
 79404047 51,52,53,54,55,56,77,
 78
 79404129 57,79
 79404130 57,79
 79404501 52
 79404512 52,54,55
 79404520 52,54,55,56,77,78
 79404522 52,54,55,77
 79404601 53
 79404603 53,54,55
 79404605 53,78
 79404609 53,78
 79404610 53,54
 79404701 54
 79404705 54
 79404709 54
 79404806 55,77
 79404813 55,77
 79404815 55,56,78
 79404837 51,52,53,54,55,56,77,
 78
 79404841 56
 79404844 56
 79404851 75,76
 79404867 57,79
 79404901 55
 79404907 55
 79404913 56,78
 79404922 56,78
 79404926 56,78
 79404931 56
 79404958 57
 79405031 77
 79405044 78
 79405048 77
 79405055 77
 79405061 77
 79405064 77
 79405068 77
 79405131 74
 79405133 74
 79405155 74
 79405156 74
 79405196 74
 79405421 82
 79405423 82
 79405427 82
 79405501 61
 79405513 61
 79405516 61
 79405521 61
 79405522 61
 79405533 61
 79405538 61
 79405546 61
 79405551 61

Best.-Nr. Tafel

79405557 61
 79405563 61
 79405573 61
 79405584 61
 79405595 61
 79405613 61
 79405616 61
 79405621 61
 79405631 61
 79405633 61
 79405655 61
 79405661 61
 79405662 61
 79405681 61
 79405742 62
 79405743 62
 79405745 62
 79405748 62
 79405749 62,73
 79405750 62,73
 79405761 62
 79405763 62
 79405764 62
 79405766 62
 79405901 73
 79405904 73
 79405951 62
 79406151 81
 79406152 81
 79406153 81
 79406154 81
 79406161 81
 79406162 81
 79406163 81
 79406164 81
 79406171 81
 79406172 81
 79406173 81
 79406174 81
 79406177 81
 79406178 81
 79406189 81
 79406191 81
 79406192 81
 79407001 74
 79407005 74
 79407006 74
 79407011 74
 79407013 74
 79407014 74
 79407021 74
 79407022 74
 79407027 74
 79407057 74
 79407071 74
 79407073 74
 79407081 74
 79407083 74
 79407104 74
 79407105 74

Best.-Nr. Tafel

79702017 80
 79702201 59,65,67,68,70,72,80,
 85,88
 79702203 12
 79702214 65
 79702252 62,65,72,73
 79702302 61,62
 79702333 41
 79702627 41
 79702646 4,77
 79703017 41
 79703019 34
 79703031 41
 79703063 41
 79703193 41,62
 79703194 62,72
 79722201 41
 79750841 41
 79751007 67
 79751058 41
 79800496 50
 79800497 43
 79800498 43
 79800795 4,5,13,23,30,73,78
 79800796 10
 79802003 49
 79802004 49
 79802363a 63
 79803212a 49
 79803212g 49
 79803216 49
 798101004 12
 798101021 30,42
 798122268 25a
 798122564 43
 798122596 43,86
 798122808 64
 798123005 81,82
 798123181 46,47,48
 798123920 30
 798124903 41
 798124911 50
 798124912 43
 798126009 64
 798140055 42
 798140056 42
 798147001 23,76
 798149004 43
 798149007 43
 798149015 43
 798149016 43
 798160007 48
 798160207 44,45,47
 798160419 46
 798161401 46
 798163004 43
 798163603 44
 798163604 43
 798165027 47
 798166510 44,45,47

Best.-Nr. Tafel

798166522 47
 798166526 47
 798167004 45
 798167007 45,46
 798167010 46
 798167102 47
 798167104 45
 798167110 45
 798167111 44,45,46
 798167112 45
 798167113 44,45
 798167114 44,45,47
 798167115 44
 798167116 44,46
 798167122 46
 798167125 46,47
 798167126 46
 798167127 47
 798167128 45,46
 798167504 44
 798167505 45,46
 798167951 45,46
 798180111 45
 798180121 48
 798180171 44
 798180181 47
 798180265 46
 798200136 5
 798202603 42
 798202804 42
 798220082 43,50
 798220507 43,76
 798220622 43,50
 798221002 42
 798221022 62,72
 798240218 42
 798241018 43
 798260252 48
 798261044 47
 798261047 45
 798262071 45,46
 798262396 45,47
 798262597 45
 798268024 44,45,46,47
 798281502 23,76,78
 798281510 23,76,78
 798283001 43
 798357502 44
 798357503 47
 798360209 64
 798361031 5
 798420066 43
 798422411 43
 798422412 43
 798422413 43
 798422414 44
 798422416 44
 798422601 45,47
 798424202 23,30
 798424203 23,30

Best.-Nr. Tafel

798426049 43
 798427002 64
 798440001 42
 798440024 47
 798446167 43
 798446171 48
 798446172 45
 798446176 46
 798446177 47
 798448012 43
 798460331 50
 798480826 23,76
 798480902 42
 798480903 42
 798480904 42
 798480905 30
 798480906 30
 798481022 43
 798481024 42
 798481025 43
 798481226 50
 798481229 43
 798481241 42
 798481242 42,43
 798481652 42
 798481653 42
 798481658 42
 798481659 43
 798481671 42
 798481672 42
 798483112 45,46,47,48
 798483201 44,45,47
 798483204 47
 798483207 44,45
 798483208 44
 798500088 50
 798500089 50
 798500445 50
 798521416 46
 798521472 47
 798521502 46
 798521742 47
 798521822 47
 798522199 44
 798522322 45
 798522441 45
 798522502 45,46,47
 798522509 46
 798522582 47
 798522662 47
 798522670 45
 798522822 45
 798522942 45
 798523009 45
 798523010 44
 798523082 45
 798523162 45,46,47
 798523242 45
 798523250 45,46,47
 798523322 47

Best.-Nr. Tafel

79407121 74
 79407141 74
 79407151 74
 79407157 74
 79407164 74
 79407171 74
 79407172 74
 79442331 69
 79700015 60
 79700020 60,70
 79700111 7
 79700143 60
 79700209 63
 79700210 57,66,68,79,80
 79700215 63
 79700240 63
 79700312 35
 79700317 39
 79700322 39,57,79
 79700331 11,57,65,79
 79700332 72,74,75,76
 79700333 34
 79700334 39,57,79
 79700335 8
 79700340 39
 79700405 34
 79700411 4,8,12,35,37,39,63,
 64,65,70
 79700412 8,24,51,52,53,54,55,
 56,66,67,68,69,74,77,
 78
 79700413 34,71
 79700417 63
 79700891 39
 79700922 39
 79700923 39
 79700925 39
 79700926 39
 79701030 10,64,71
 79701521 61
 79701532 51,52,53,54,55,56,77,
 78
 79701541 75
 79701542 76
 79702015 39
 79702016 7,10,19,24,25,27,28,
 29,33,34,39,57,60,63,
 65,66,68,71,72,74,75,
 76,79,80
 79702201 57,63,65,66,68,70,79,
 82
 79702214 63
 79702252 60,63,70,71
 79702302 59,60
 79702333 39
 79702627 33,39
 79702646 4,74
 79703017 39
 79703019 34
 79703031 39

Best.-Nr. Tafel

79703063 39
 79703191 35
 79703193 39,60
 79703194 60,70
 79722201 39
 79750841 39
 79751007 65
 79751058 39
 79800496 48
 79800497 41
 79800498 41
 79800795 4,5,23,31,71
 79800796 10
 79802003 47
 79802004 47
 79802363a 61
 79803212a 47
 79803212g 47
 79803216 47
 798101021 31,40
 798122268 26
 798122564 41
 798122596 41,80
 798122808 62
 798123005 75,76
 798123181 44,45,46
 798123920 31
 798124903 39
 798124911 48
 798124912 41
 798126009 62
 798140055 40
 798140056 40
 798147001 23
 798149004 41
 798149007 41
 798149015 41
 798149016 41
 798160007 46
 798160207 42,43,45
 798160419 44
 798161401 44
 798163004 41
 798163603 42
 798163604 41
 798165027 45
 798166510 42,43,45
 798166522 45
 798166526 45
 798167004 43
 798167007 43,44
 798167102 45
 798167104 43
 798167110 43
 798167111 42,43,44
 798167112 43
 798167113 42,43
 798167114 42,43,45
 798167115 42
 798167116 42,44

Best.-Nr. Tafel

798167122 44
 798167125 44,45
 798167126 44
 798167127 45
 798167128 43,44
 798167504 42
 798167505 43,44
 798167951 43,44
 798180111 43
 798180121 46
 798180171 42
 798180181 45
 798180265 44
 798200136 5
 798202603 40
 798202804 40
 798220082 41,48
 798220507 41
 798220622 41,48
 798221002 40
 798221022 60,70
 798240218 40
 798241018 41
 798260252 46
 798261044 45
 798261047 43
 798262071 43,44
 798262396 43,45
 798262597 43
 798268024 42,43,44,45
 798281502 23
 798281510 23
 798283001 41
 798357502 42
 798357503 45
 798360209 62
 798361031 5
 798420066 41
 798422411 41
 798422412 41
 798422413 41
 798422414 42
 798422416 42
 798422601 43,45
 798424202 23,31
 798424203 23,31
 798426049 41
 798427002 62
 798440001 40
 798440024 45
 798446167 41
 798446171 46
 798446172 43
 798446176 44
 798446177 45
 798446511 41
 798448012 41
 798460331 48
 798480826 23
 798480902 40

Best.-Nr. Tafel

798523502 45,47
 798523510 44
 798700161 1
 798700163 64
 798700266 43
 798740141 43
 798740143 43
 798740144P 45
 798783001 66
 90200097 5,18,19,25,36,78
 90200140 31
 90200300 76,78
 90200380 6,7,86
 90200428 38
 90200514 26,27,28,63,81,82
 90200602 38
 90200670 9
 90200707 26,27,28
 90204102 26,27,87
 91100150 5
 91100196 31
 91100267 5,9,10,33,50,66
 91100333 61
 91100339 14,15,16,17,21,22,53,
 54,55,56,57,58,66,79,
 81,82,83,84,86
 91100376 1,10,60,63,64,75,76,
 77
 91100415 1
 91100442 6
 91100445 33,36
 91100447a 6
 91100457 73
 91100514 10
 91100668 61
 91100679a 36
 91300629 35
 91400330 5
 92200394 73
 93002119 59,69,71,85
 93102134 73
 93300075 31
 93300182 7,68,70
 93300335 7,12,15,18,30,79
 93300587 12,13,34
 93301533 31
 93301572 31
 93305644 77
 93305660 5
 93305735 26,27,28,29,86
 93306268 18,53,54,55,56,57,58,
 83,84
 93309478 62,72
 93310848 77
 93310868 63
 93310889 52
 93311296 2,3,4,6,13,57,58,66,
 83,84,
 93311327 61
 93311399 87

Best.-Nr. Tafel

93311424 23,24,86
 93320024 63
 93320251 2
 93321883 38
 93363984 26,86
 93370043 9
 93370175 3,4,7,9,53,54,55,56,
 58,63,77,84,86
 93370265 61,63,73
 93374261 65,81,82
 93378051 9
 93378058 9
 93378254 9,63
 93378909 11
 93378932 11
 93379123 5,69,71
 93379124 69,71
 93500410 4,6,9,63
 93500625 1
 935100057 32
 935100071 31
 935100222 34
 935100279 34
 935100342 36
 935100402 35
 935100471 36
 935100488 36
 935100511 35
 935100541 30
 935100545 30
 935100546 30
 935100547 30
 935100548 30
 935100549 30
 935100552 37
 935100553a 37
 935100553k 37
 935100556 37
 935100557 37
 935100558 37
 935100559 37
 935100560 37
 935100581 37
 935100587 37
 935100588 37
 935100589 37
 935100741 38
 935100751 38
 935100771 38
 935100781 38
 935100782 38
 935100783 38
 935100851 34
 935102012 32
 935102101 33
 935102105 33
 93900394 15,18
 93910071 57,58,83,84
 93916830 60,61,63
 94204575 74

Best.-Nr. Tafel

94204586 10,26,27,28,83
 94204614 74
 94204628 74
 94204683 74
 94204703 74
 94210318 12,13,59,79,85,88
 94300057 5
 94401366 36,69,71,77
 94500689 33
 96500298 5
 100100360 4,42,48,73
 100101162 31,32,36,38,64
 100109127 79
 100109128 20,38
 100109130 5,8,12,13,14,15,16,
 17,18,19,21,22,23,24,
 29,31,35,37,38,42,52,
 76,78,79,81,82,86
 100109148 4,63
 100109162 5,23,30
 100109228 4,14,15,16,17,21,22,
 61
 100109243 15,16,17,18,21,22,36
 100500233 4,5,7,10,15,18,19,23,
 30,36,38,59,62,66,72,
 73,85,88

Best.-Nr. Tafel

798480903 40
 798480904 40
 798480905 31
 798480906 31
 798481022 41
 798481024 40
 798481025 41
 798481226 48
 798481229 41
 798481241 40
 798481242 40,41
 798481652 40
 798481653 40
 798481658 40
 798481659 41
 798481671 40
 798481672 40
 798483112 43,44,45,46
 798483201 42,43,45
 798483204 45
 798483207 42,43
 798483208 42
 798500088 48
 798500089 48
 798500445 48
 798521416 44
 798521472 45
 798521502 44
 798521742 45
 798521822 45
 798522199 42
 798522322 43
 798522441 43
 798522502 43,44,45
 798522509 44
 798522582 45
 798522662 45
 798522670 43
 798522822 43
 798522942 43
 798523009 43
 798523010 42
 798523082 43
 798523162 43,44,45
 798523242 43
 798523250 43,44,45
 798523322 45
 798523502 43,45
 798523510 42
 798700161 1
 798700163 62
 798700266 41
 798740141 41
 798740143 41
 798740144P 43
 798740324 44
 798783001 64
 90200097 5,18,19,25,33
 90200140 32
 90200380 6,7,80

Best.-Nr. Tafel

90200428 37
 90200514 27,28,29,61,75,76
 90200602 37
 90200670 9
 90200707 27,28,29
 90204102 27,28,81
 91100150 5
 91100196 32
 91100267 5,9,10,32,48,64
 91100333 59
 91100339 14,15,16,17,21,22,51,
 52,53,54,55,56,64,75,
 76,77,78,80
 91100376 1,10,58,61,62,73,74
 91100415 1
 91100442 6
 91100445 34
 91100447a 6
 91100457 71
 91100514 10
 91100668 59
 91100679a 34
 91300629 36
 91400330 5
 92200394 71
 93002119 57,67,69,79
 93102134 71
 93300075 32
 93300182 7,66,68
 93300335 7,15,18,31
 93300587 13
 93301533 34
 93301572 32
 93305644 74
 93305660 5
 93305735 27,28,29,30,80
 93306268 18,51,52,53,54,55,56,
 77,78
 93309478 60,70
 93310848 74
 93310868 61
 93310889 50
 93311296 2,3,4,6,13,55,56,64,
 77,78
 93311327 59
 93311399 81
 93311424 23,24,80
 93320024 61
 93320251 2
 93363984 27,80
 93370043 9
 93370175 3,4,7,9,51,52,53,54,
 56,61,74,78,80
 93370265 59,61,71
 93374261 63,75,76
 93378051 9
 93378058 9
 93378254 9,61
 93378909 11
 93378932 11

Best.-Nr. Tafel

93379123 5,67,69
 93379124 67,69
 93500410 4,6,9,61
 93500625 1
 935100057 32
 935100142 32
 935100159 32
 935100221 33
 935100222 33
 935100279 34
 935100342 34
 935100402 36
 935100471 34
 935100488 34
 935100511 36
 935100541 31
 935100545 31
 935100546 31
 935100547 31
 935100548 31
 935100549 31
 935100552 35
 935100553a 35
 935100553k 35
 935100556 35
 935100557 35
 935100558 35
 935100559 35
 935100560 35
 935100581 35
 935100587 35
 935100588 35
 935100589 35
 935100741 37
 935100751 37
 935100771 37
 935100781 37
 935100782 37
 935100783 37
 935100851 37
 93900394 15,18
 93910071 55,56,77,78
 93916830 58,59,61
 94204575 72
 94204586 10,27,28,29,77
 94204614 72
 94204628 72
 94204683 72
 94204703 72
 94210318 57,79,82
 94300057 5
 94401366 33,67,69,74
 94500689 33
 96500298 5
 100100360 4,40,46,71
 100101162 32,33,37,62
 100109128 20,37
 100109130 5,8,14,15,16,17,18,
 19,21,22,23,24,30,32,
 34,35,36,37,40,50,75,
 76,80

Best.-Nr. Tafel

100109148 4,61

100109162 5,23,31

100109228 4,14,15,16,17,21,22,
59

100109243 15,16,17,18,21,22

100500233 4,5,7,10,15,18,19,23,
31,34,37,57,60,64,70,
71,79,82